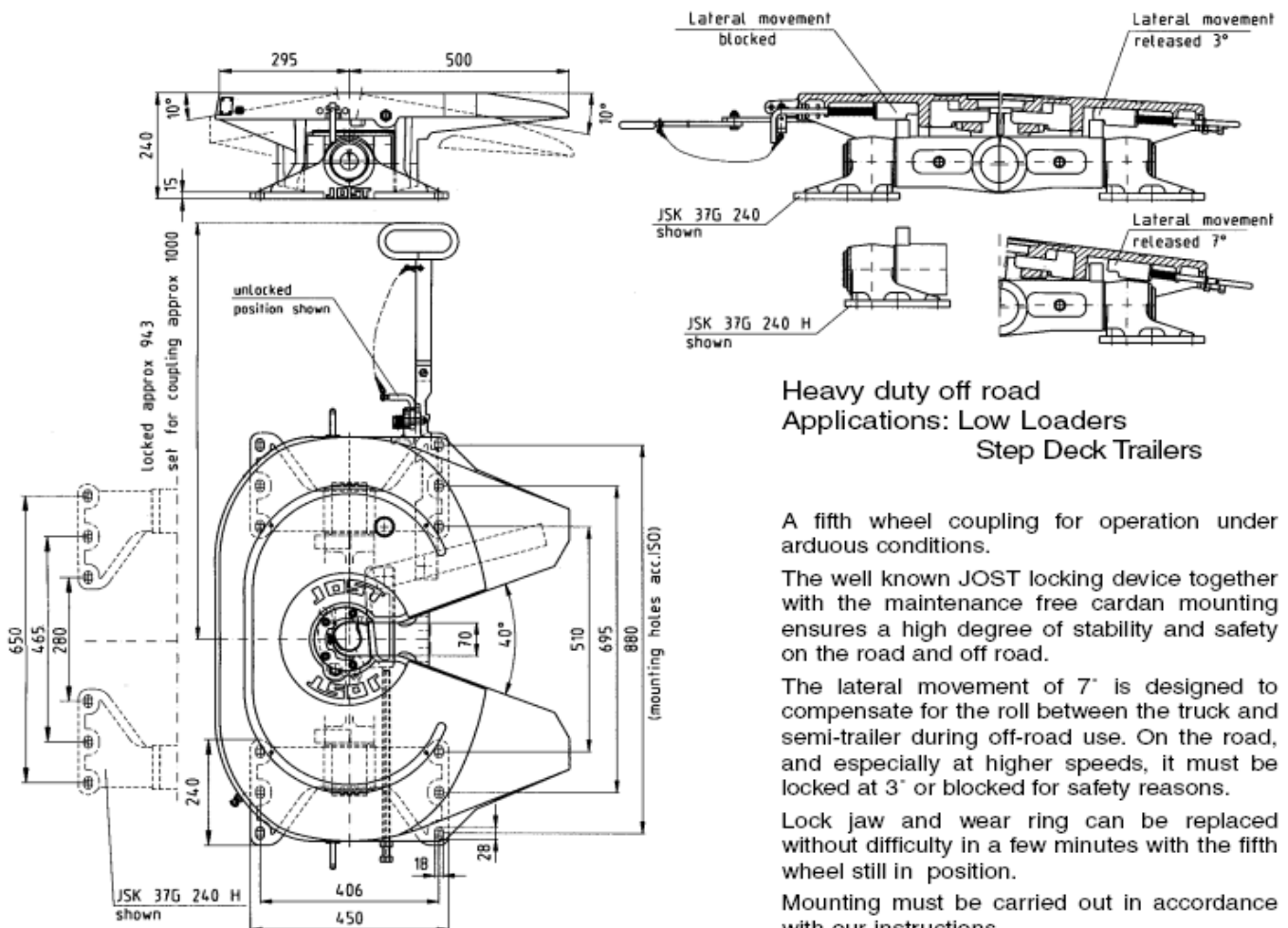
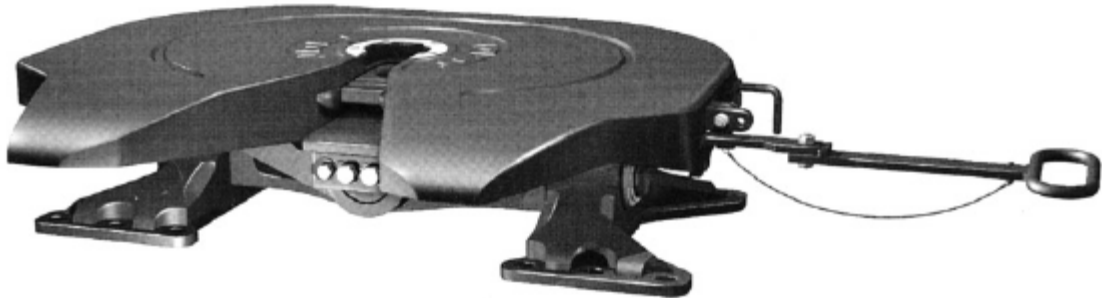


# Barry Stoodley Pty Ltd

## JOST

### JSK 37 G-240 FIFTH WHEEL COUPLING 2" Cardan Mounting ( Pitch and Roll )



Heavy duty off road  
Applications: Low Loaders  
Step Deck Trailers

A fifth wheel coupling for operation under arduous conditions.

The well known JOST locking device together with the maintenance free cardan mounting ensures a high degree of stability and safety on the road and off road.

The lateral movement of 7° is designed to compensate for the roll between the truck and semi-trailer during off-road use. On the road, and especially at higher speeds, it must be locked at 3° or blocked for safety reasons.

Lock jaw and wear ring can be replaced without difficulty in a few minutes with the fifth wheel still in position.

Mounting must be carried out in accordance with our instructions.

Complies with DIN 74081 and ISO 3842. Suitable for all types of rear axle steering systems.

| Type        | Overall height mm | Imposed Load on prime mover kg | D-value kN | Weight approx. kg | CRN   |
|-------------|-------------------|--------------------------------|------------|-------------------|-------|
| JSK 37G 240 | 240               | 25000                          | 162        | 236               | 24500 |