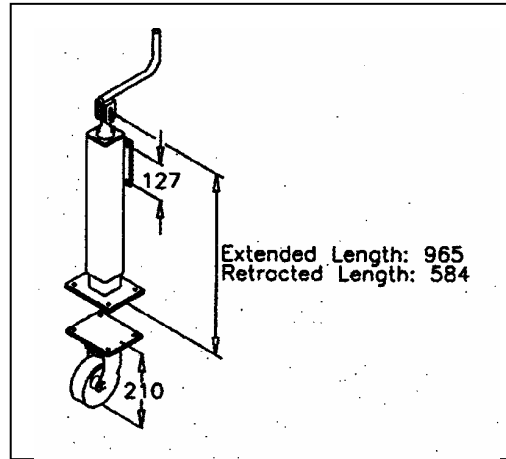
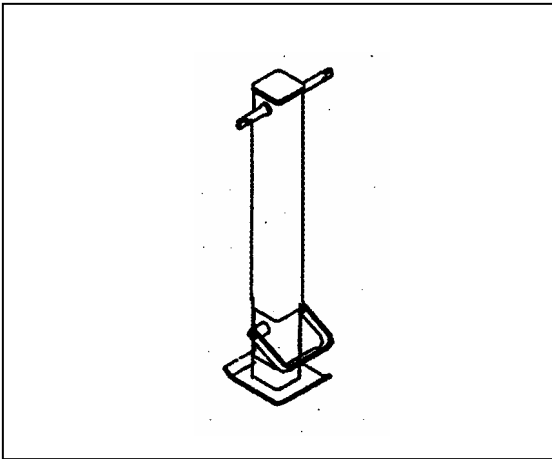


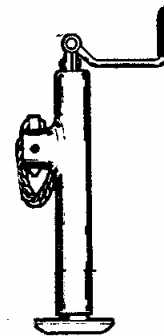
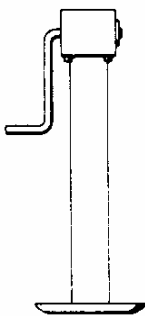
# Barry Stoodley Pty Ltd

## LANDING GEAR LIGHT COMMERCIAL



DUAL PIN DROP LEG	LG700
STATIC CAPACITY	9090kg
LIFT CAPACITY	134Nm
45.5KG INPUT TORQUE	5682kg
CRANK TRAVEL	305mm
DROP LEG TRAVEL	355mm
CRANK TURNS PER 25mm TRAVEL	8.75
RETRACTED LENGTH	619mm
EXTENDED LENGTH	1279.5mm
FOOT PAD DIMENSION	228.6X228.6
WEIGHT	30kg

DOLLY JACK WITH WHEEL	HC3J
STATIC CAPACITY	454kg
LIFT CAPACITY	227kg
TRAVEL	381mm
CRANK TURNS PER 25mm TRAVEL	4mm
RETRACTED LENGTH	568mm
EXTENDED LENGTH	949mm
WHEEL HEIGHT	210mm
WEIGHT	18kg



PARKING JACK WITH VERTICAL HANDLE C/W DROP LEG	4000
STATIC CAPACITY	4000
CRANK TRAVEL	300
FOOT PAD DIMENSION	220
RETRACTED LENGTH	500

TOP WIND TUBE MOUNT	SJ4
STATIC CAPACITY	1350
CRANK TRAVEL	254
RETRACTED LENGTH	430