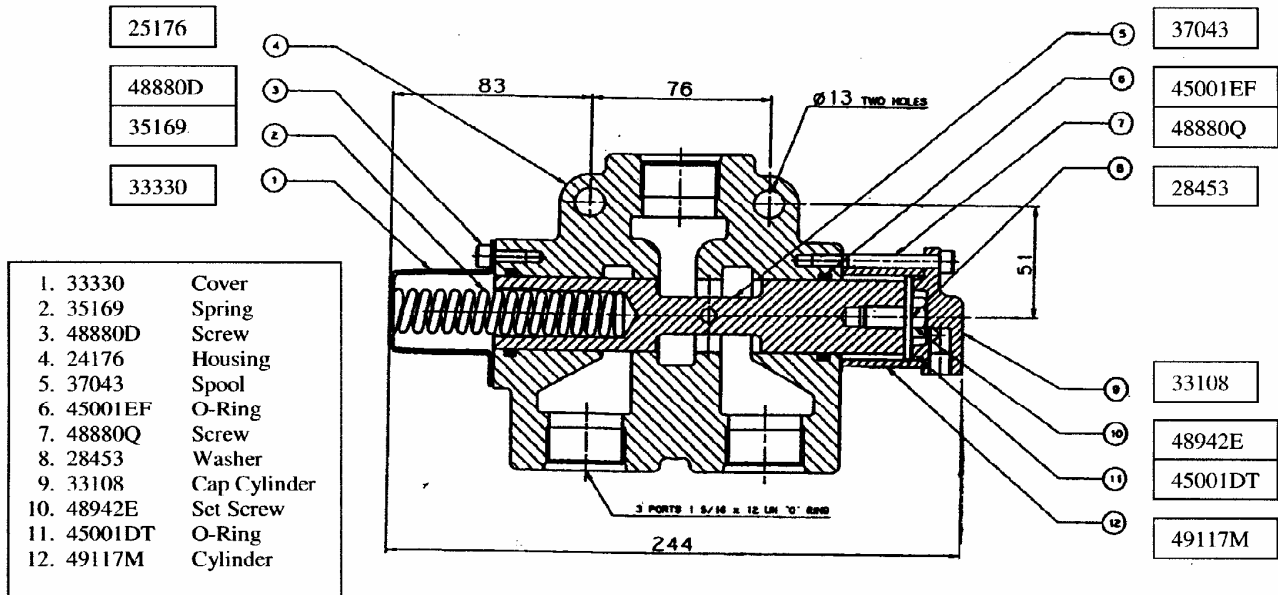
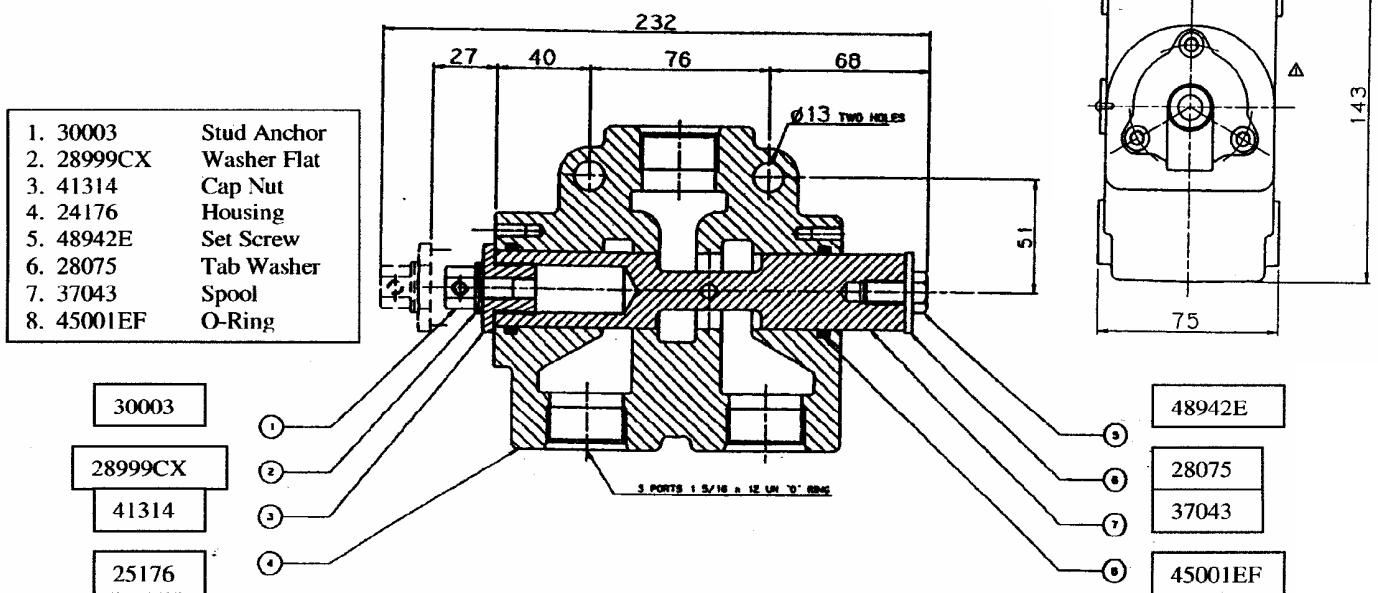


Barry Stoodley Pty Ltd

VA86A Air Diverter Valve



VA86C Cable Diverter Valve



Technical Data	
Flow:	189 l/min (50 USgpm). (With spool in any positions the oil passageway within the valve is equivalent to a 1" diameter hose or pipe.)
Port Sizes:	1 5/16" 12UN O-Ring
Approximate Bare Mass:	Series 86C - 7.1 kg (15.7 lb) Series 86A - 7.8 kg (17.2 lb)

VALVE DESIGNATION CODES

86 series valve

VA 86 A

Identifier
VA = Valve

Valve series
86

Engagement Type

A = Air
B = Lever
C = Cable
D = Electric / Air 12V
E = Electric / Air 24V

Maximum Working Pressure
172 Bar (2500 psi)

