

Barry Stoodley Pty Ltd

TOP MOUNTED UNDERBODY HOIST



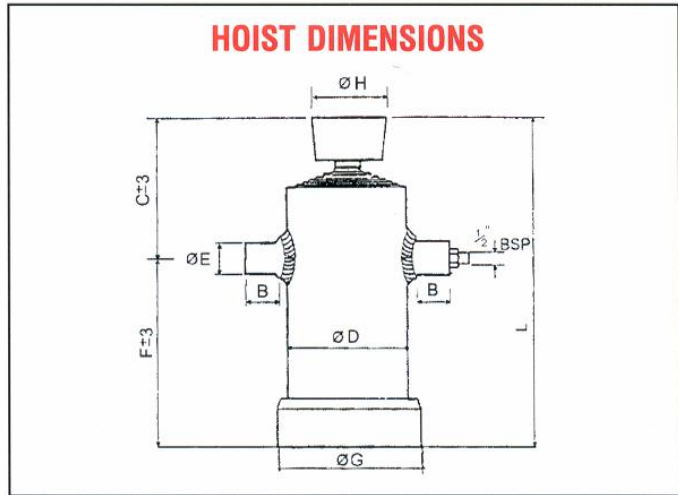
Capacity of hoist is calculated assuming a free flowing load, a minimum tipping angle of 50° and includes body weight.

Lifting capacity is calculated at 180 bar (2600psi).

Allow 20mm extension of top stage when the body is in the lowered position. This prevents the body from riding on the hoist and causing damage.

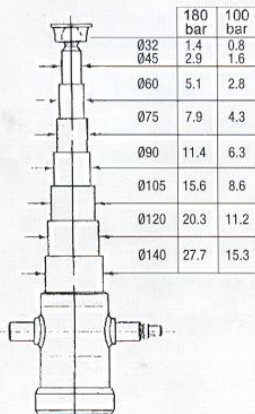
NOTES:

- Max. working pressure 180 bar (2600psi)
- Max. relief pressure 200 bar (2900psi)
- Recommended hydraulic oil ISO 68,
- Always fit a return line filter to the hydraulic system.



Hoist Model	No. of stages	Stroke	Capacity @ 50°		Dimensions									Mass kg	Swept Vol.1
			Tonnes (T)	Pivot Ctr (mm)	A	B	C	D	E	F	G	H	L		
UBS-6-1020-125	6	1020	4.8	1183	150	40	163	125	40	150	148	90	313	17.5	5.2
UBS-5-1050-125	5	1050	7	1219	150	40	160	125	40	201	148	90	361	25.2	5.0
UBS-5-1200-125	5	1200	7	1396	150	40	160	125	40	231	148	90	391	27.3	5.7
UBS-5-1460-125	5	1460	8	1704	150	40	160	125	40	286	148	90	446	31.5	7.0
UBS-4-1500-125	4	1500	8	1751	150	40	173	125	40	370	148	90	543	40	8.3
UBS-4-1700-125	4	1700	9	1988	150	40	173	125	40	420	148	90	593	43.7	9.4
UBS-4-2000-145	4	2000	18	2343	180	45	173	145	45	498	170	90	671	55.7	17.2
UBS-5-1500-165	5	1500	18	1751	195	45	226	165	45	254	193	90	480	52.7	14.9
UBS-5-2125-145	5	2125	15	2490	180	45	176	145	45	422	170	90	598	59.2	14.3
UBS-5-2500-165	5	2500	20	2934	195	45	176	165	45	505	193	90	681	73.0	24.8

THRUST (TONNE) AT EACH STAGE



FOOT DIMENSIONS

