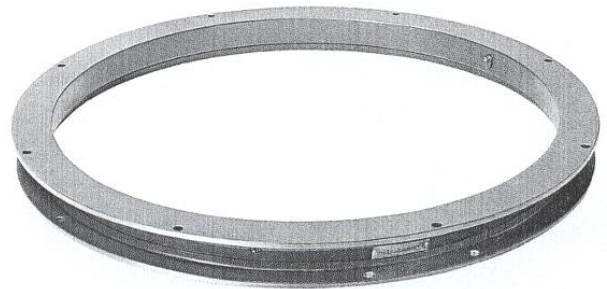
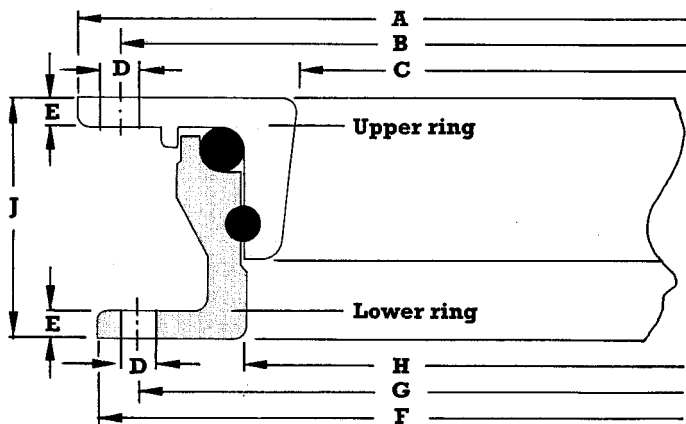


# Barry Stoodley Pty Ltd

## BPW BALLRACE TURNTABLES



Ballrace Model "J" DK80 = 80mm DK90 = 90mm	Outer rings Ø mm		Bolt circle Ø mm		Bolts per ring		Inner rings Ø mm		Bore hole Ø D mm	Flange thick- ness E mm
	A	F	B	G	Qty Min.	Tread Ø Min.	C	H		
DK80/5	664	650	636	622	8	M 12	519.5	554	14	9
DK80/8	894	880	866	784	8	M 14	749.5	852	16	9
DK80/10	1108	1095	1074	1060	8	M 14	959.5	994	16	9
DK90/12	1000	987	966	952	8	M 16	834	871	18	10
DK90/13	1108	1095	1074	1060	8	M 16	942	979	18	10
DK90/13/1200	1208	1195	1174	1160	12	M 16	1042	1079	18	10
DK90/14	1000	987	966	952	8	M 16	834	871	18	10
DK90/16	1108	1095	1074	1060	8	M 16	942	979	18	10
DK90/16/1200	1208	1195	1174	1160	12	M 16	1042	1079	18	10
DK90/20	1108	1095	1074	1060	8	M 16	942	979	18	10
DK90/20/1200	1208	1195	1174	1160	12	M 16	1042	1079	18	10
DK90/26/1200	1208	1195	1174	1160	12	M 16	1042	1079	18	10
DK90/30/1200 Sp	1208	1195	1174	1160	12	M 16	1042	1079	18	10

Subject to change (without notice)

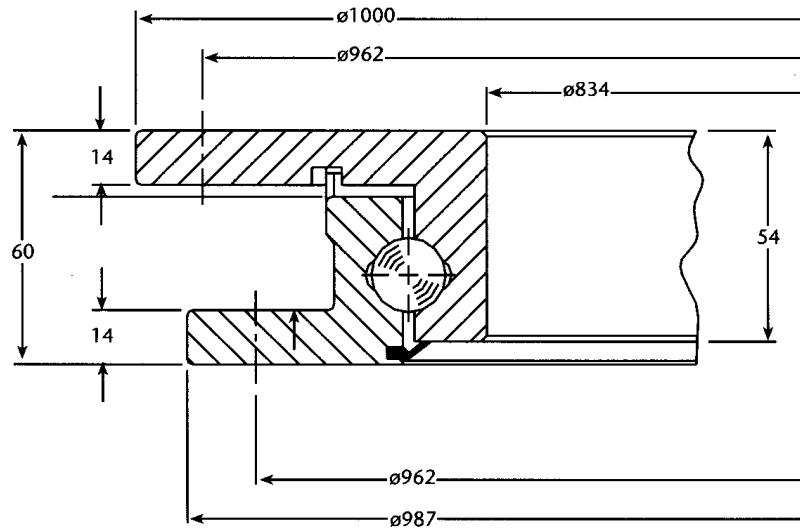
Disclaimer - The information in this publication is of a service to clients and other interested parties. While the information is believed to be correct, no responsibility is accepted for any error or omission.

# Barry Stoodley Pty Ltd



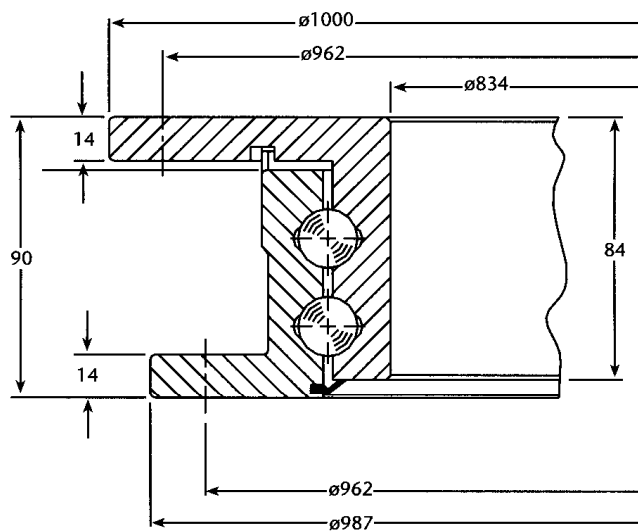
## BALLRACE

### Single Row Ballrace



Part Number		Weight	D-Rating kN
SR601000	Undrilled	68 kg	190
SR601000D	Drilled	68 kg	190

### Double Row Ballrace



Part Number		Weight	D-Rating kN
DR901000	Undrilled	89 kg	270
DR901000D	Drilled	89 kg	270