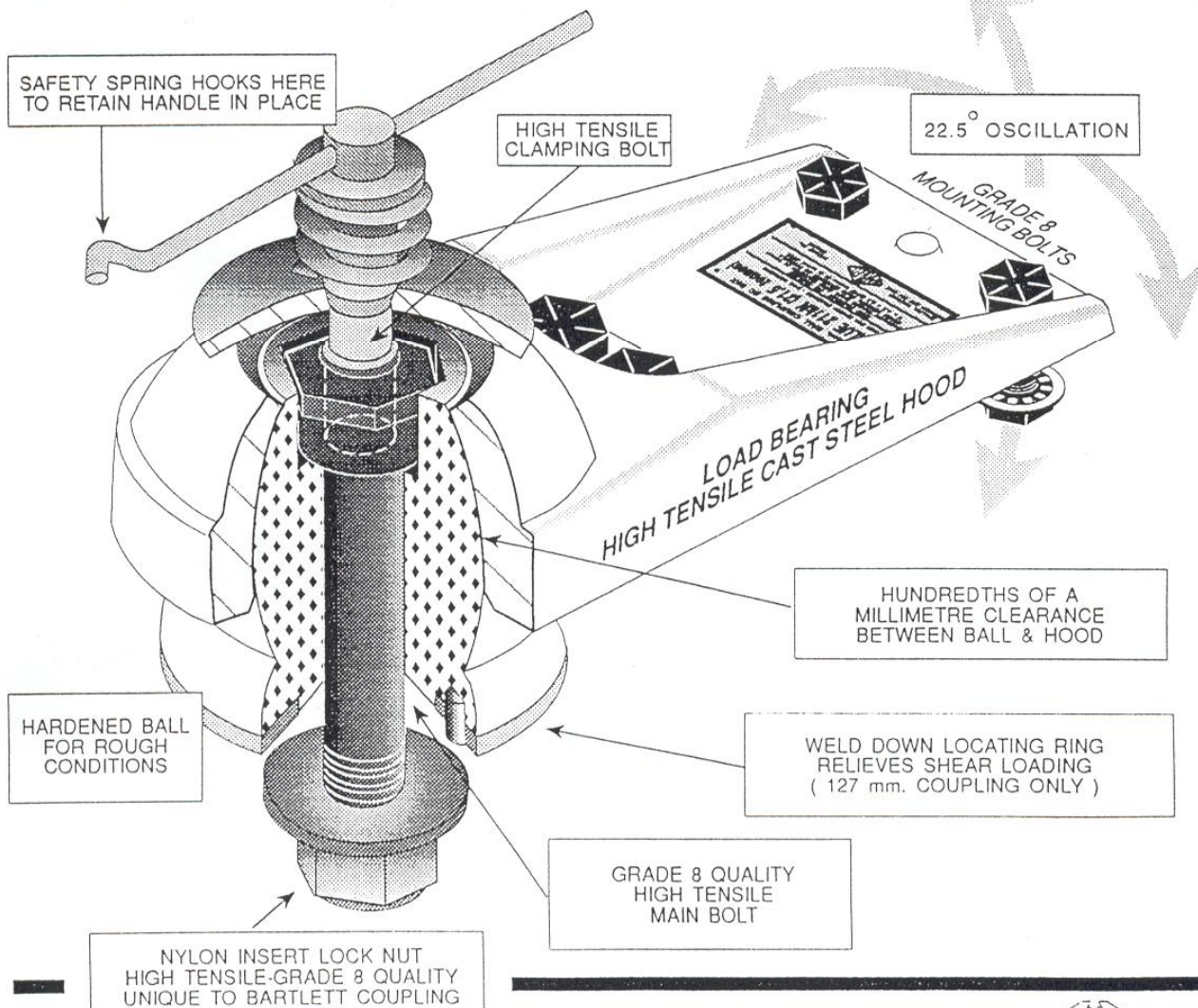


# Barry Stoodley Pty Ltd

## SPECIFY BARTLETT 127 mm. COUPLING

22 TONNE A.T.M. RATING  
ELIMINATE DAMAGING COUPLING SLACK  
DRIVE A COMBINATION THAT FEELS AND BEHAVES LIKE ONE VEHICLE  
PROTECT YOUR DRIVELINE  
ATTRACTIVE INITIAL COST - MINIMAL MAINTENANCE COSTS  
HIGHEST QUALITY AUSTRALIAN COMPONENTRY  
BEST POSSIBLE ALTERNATIVES WHENEVER NECESSARY  
UNIQUE FASTENING SYSTEM ALLOWS SUPERIOR OSCILLATION



### A.D.R. 62.00 SUMMARY OF EVIDENCE NUMBERS

127 mm. BALL COUPLING - 80425 2

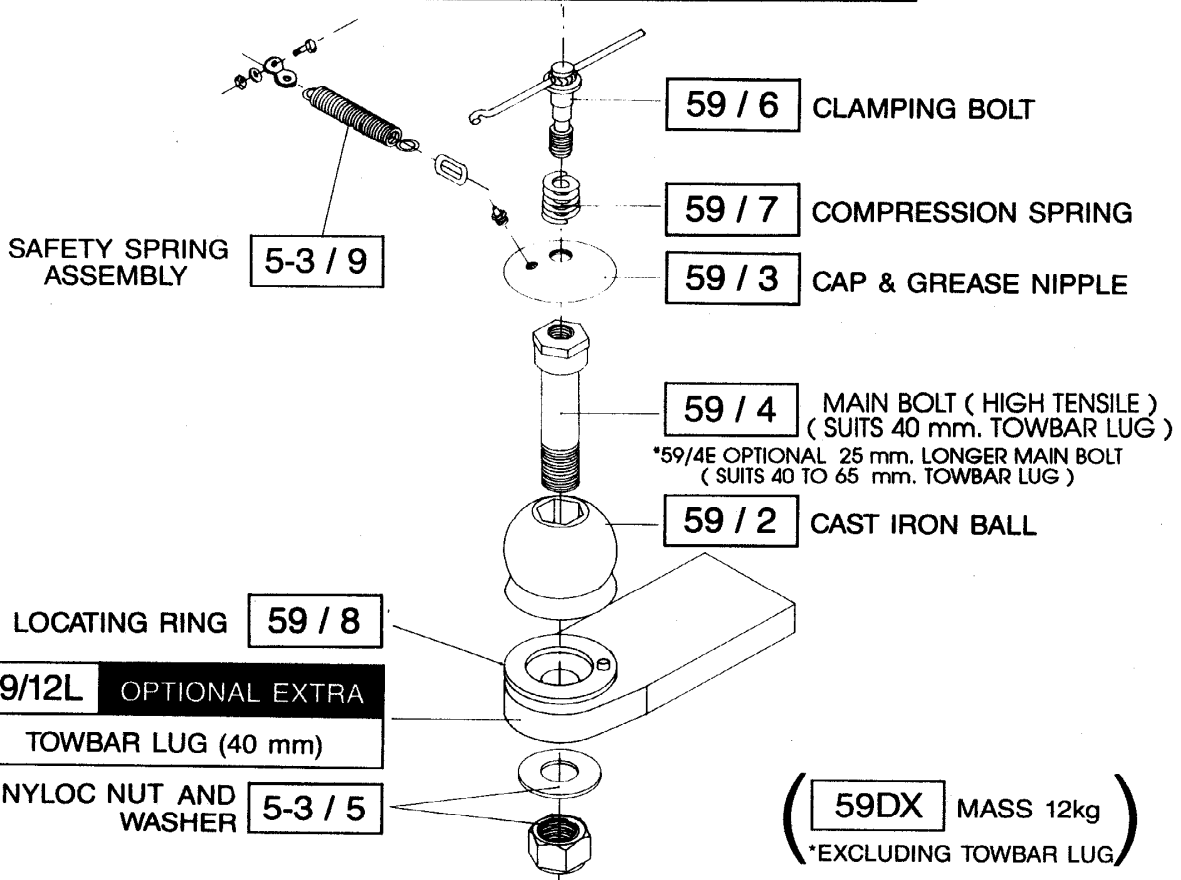
95 mm. BALL COUPLING - 80425 1

REGISTERED WITH FEDERAL OFFICE OF ROAD SAFETY



# Barry Stoodley Pty Ltd

## 59DX TRUCK KIT



## 127mm BALL COUPLING BC 59X D Value 211kN (21.5 tonnes)

(USE FOR HINGED DRAWBAR - DOG TRAILERS)

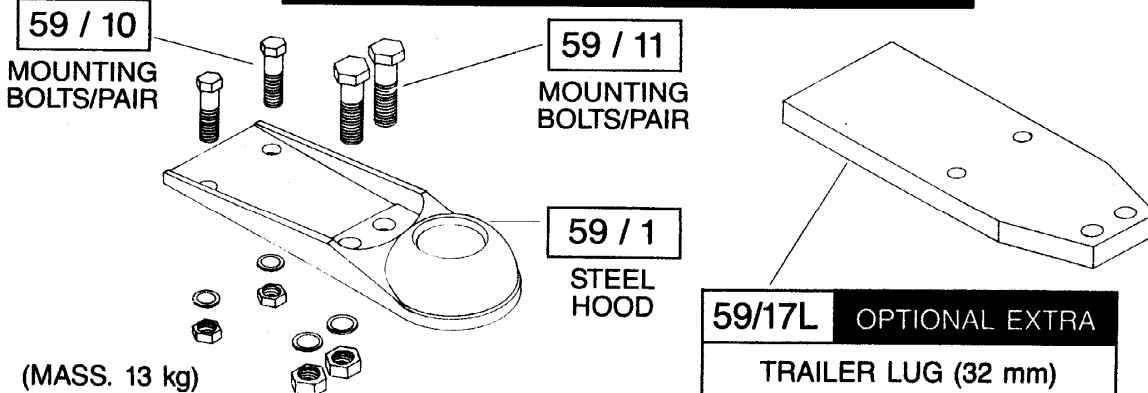
RIGID DRAWBAR • PIG TRAILERS  
AGGREGATE TRAILER MASS (ATM) MAXIMUM 22 tonnes  
STATIC VERTICAL LOAD MAXIMUM (V) FORMULA  
 $V = 2.2 + 0.3 (22 \cdot G)$  tonnes (G is actual ATM)

HALLAM, VICTORIA  
AUSTRALIA (03) 796 3222



PATENT No.  
534636

## 59AX TRAILER KIT



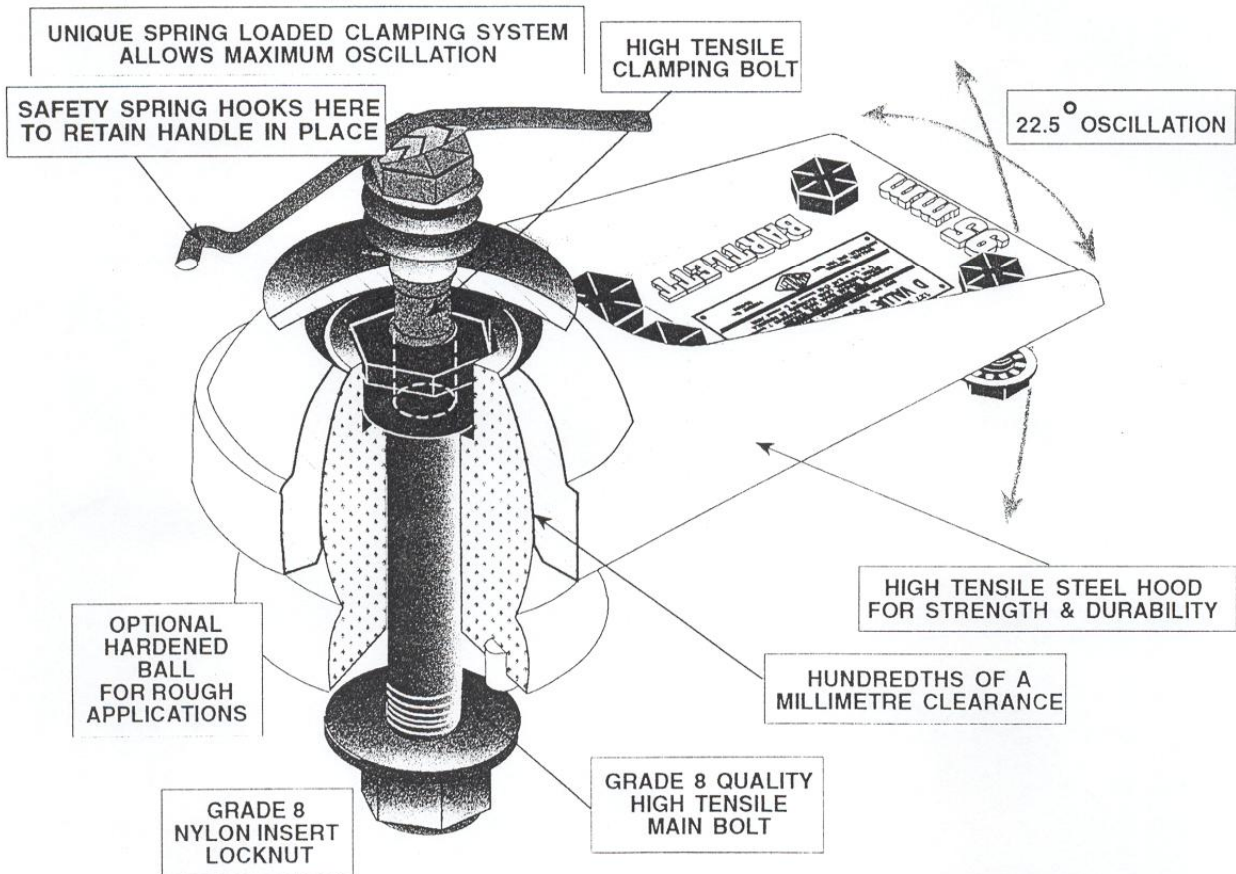


# Barry Stoodley Pty Ltd

**SPECIFY BARTLETT  
95 MM. COUPLING**

WOODCHIPPERS  
EARTHMOVING  
BOAT TRAILERS  
TOURIST TRAINS  
COACH OPERATORS  
MEDIUM DUTY TRANSPORT  
AGRICULTURE

- \* ELIMINATE DAMAGING COUPLING SLACK
- \* DRIVE A COMBINATION THAT FEELS AND BEHAVES LIKE ONE VEHICLE
- \* PROTECT YOUR DRIVELINE  
(NO DAMAGING SHOCK LOADS CREATED WITHIN COUPLING)
- \* HIGHEST QUALITY AUSTRALIAN COMPONENTRY  
BEST POSSIBLE ALTERNATIVES WHEN NECESSARY
- \* ATTRACTIVE INITIAL COST - MINIMISED MAINTENANCE COST



**95 MM. BALL TRAILER COUPLING**  
**7 TONNE AGGREGATE TRAILER MASS RATING**

A.D.R. 62.00 SUMMARY OF EVIDENCE NUMBER 80425 1  
REGISTERED WITH THE FEDERAL OFFICE OF ROAD SAFETY

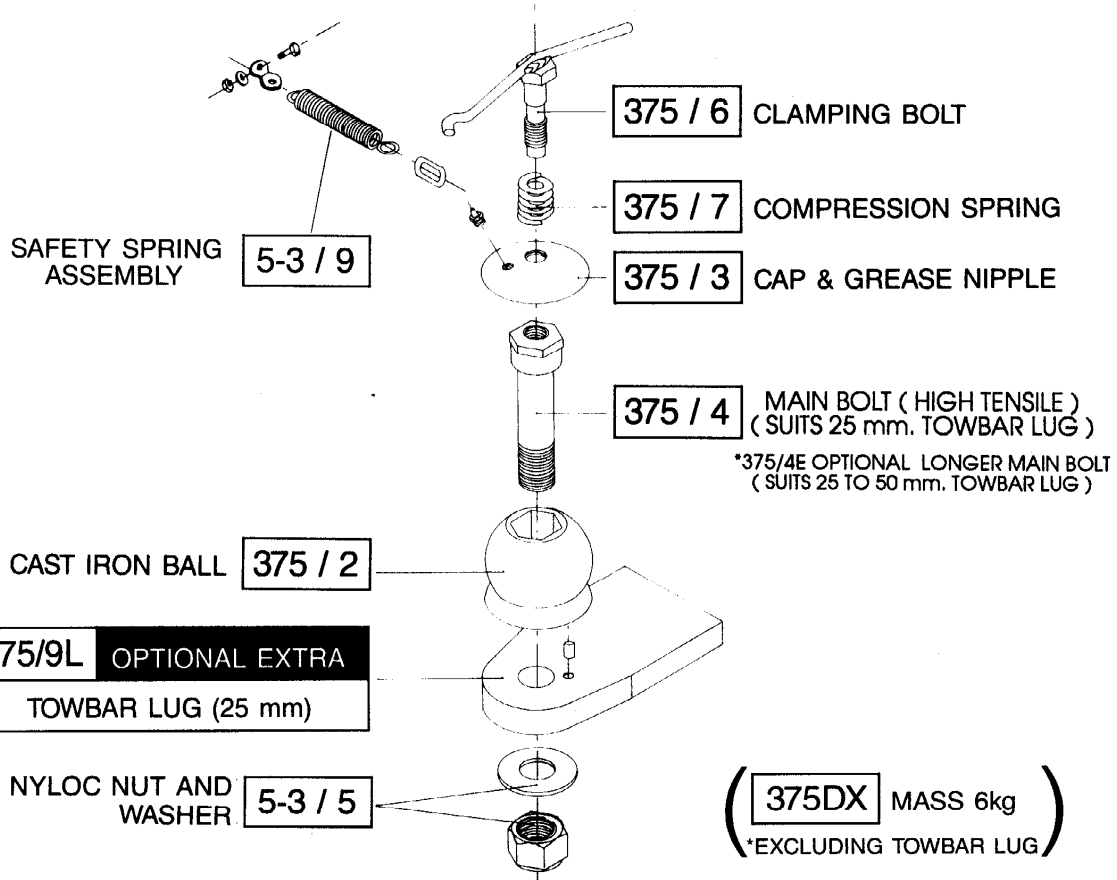
AUSTRALIAN MADE



AUSTRALIAN OWNED

# Barry Stoodley Pty Ltd

## 375DX TRUCK KIT



## 95mm BALL COUPLING BC 375X D Value 95kN (9.7 tonnes)

(USE FOR HINGED DRAWBAR - DOG TRAILERS)

RIGID DRAWBAR - PIG TRAILERS  
AGGREGATE TRAILER MASS (ATM) MAXIMUM 7 tonnes  
STATIC VERTICAL LOAD MAXIMUM (V) FORMULA  
 $V = 1.4 + 0.15 (7-G)$  tonnes (G is actual ATM)

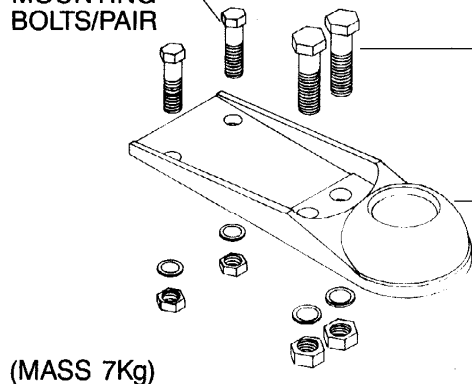
HALLAM, VICTORIA  
AUSTRALIA (03) 796 3222



PATENT No.  
534636

## 375AX TRAILER KIT

375 / 10  
MOUNTING  
BOLTS/PAIR



(MASS 7Kg)

375 / 11  
MOUNTING  
BOLTS/PAIR

375 / 1  
STEEL HOOD

375 / 15L OPTIONAL EXTRA  
TRAILER LUG (25 mm)

