

Barry Stoodley Pty Ltd

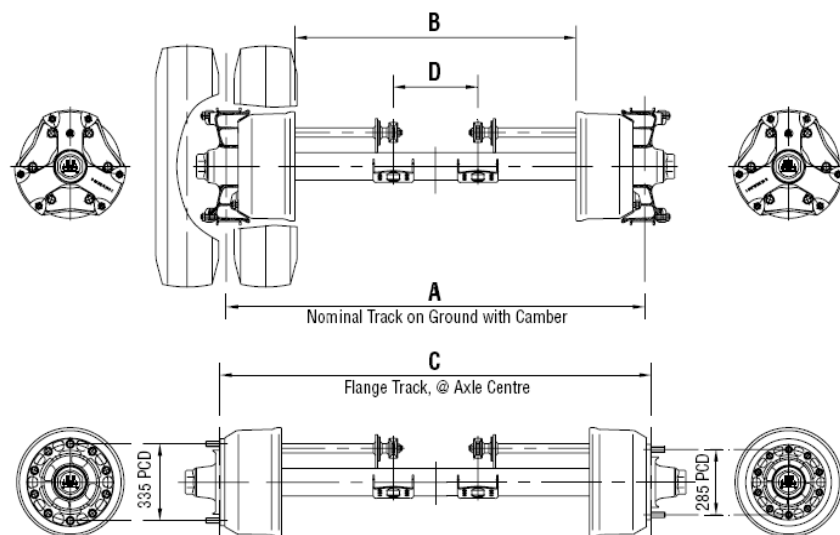
BPW AXLES

BPW offer a comprehensive range of trailer axles, from light axles for car trailers, up to 30 tonne capacity axles for off road conditions.

With the 9 to 12 tonne per axle capacity range, this is popular with Australian transport operators. BPW offers square and round beam axles and choice of either grease or oil lubrication. Hub options include spider and 10 studs to suit European, American or Japanese wheel fixing.

Three standard S-Cam mechanical brake configurations are offered to suit commercially available tyre sizes. Other brake sizes are also available to suit applications requiring axle capacity under 9000kg and above 12000kg.

BPW also offers self steering axles to suit a wide range of applications and tyre sizes, with axle capacities ranging up to 14 tonne.



HXZ 9100

-15

- blank, Standard wall thickness axle beam
- 15 15mm wall thickness axle beam (□120mm beam)
- 16 16mm wall thickness axle beam (□150mm beam)
- 30 30mm wall thickness axle beam (∅127mm beam)

- 00, Spider Axle
- 10, 10 Stud Axle
- 08, 8 Stud Axle

- 90, Lightweight Series Axles
- 91, New Generation Series Axles - □120mm axle beam
- 100, New Generation Series Axles - □150mm and ∅127mm axle beams

- XZ, Spider Axle, Dual Wheel
- X, Spider Axle, Single Wheel
- Z, Dual Wheel, 8/10 Stud (English/Japanese)
- ZA, Dual Wheel, 10 Stud Spigot Mount 285mm PCD (I.S.O.)
- ZM, Dual Wheel, 10 Stud Spigot Mount 335mm PCD (I.S.O.)
- ZMA, Dual Wheel, 10 Stud Spigot Mount 335mm PCD (I.S.O.) Aluminium Hub
- SA, Single Wheel, 10 Stud Spigot Mount 285mm PCD (I.S.O.)
- SM, Single Wheel, 10 Stud Spigot Mount 335mm PCD (I.S.O.)
- SMA, Single Wheel, 10 Stud Spigot Mount 335mm PCD (I.S.O.), Aluminium Hub

- H, Square Axle Beam, for 20"/22.5"/24" Wheels
- R, Round Axle Beam, for 20"/22.5"/24" Wheels
- NR, Round Axle Beam, for 15"/17.5" Wheels
- KH, Square Axle Beam, for 19.5" Wheels
- KR, Round Axle Beam, for 19.5" Wheels

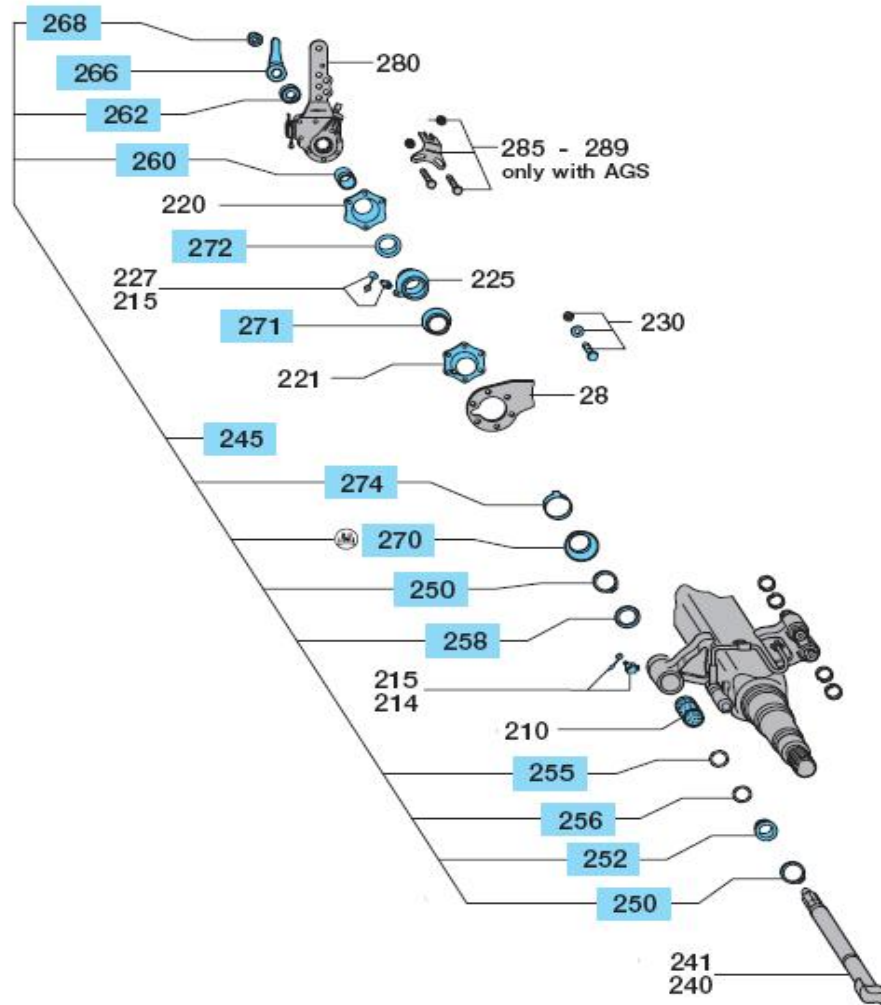
FOR UNDERSLUNG BOOSTERS ON
ROUND BEAM AXLES

eg. **RXZH 10000**

□H denotes underslung boosters

Barry Stoodley Pty Ltd

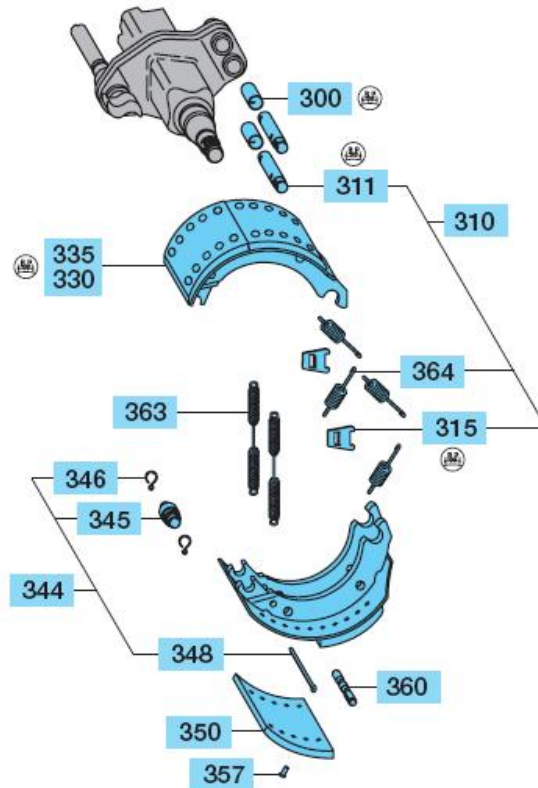
BPW CAMSHAFT PARTS



Item	Designation	Part No.	Qty
28	Plate - support bearing		2
209	Repair kit low-maintenance brake camshaft bearing. Item 210, 214, 220, 221, 225, 227, 231, 232, 245, 271, 272	0509700KIT	1
210	Bush	03.112.44.34.0	2
214	Grease nipple	02.6802.06.50	2
215	Cover	02.3704.19.00	2
220	Bearing box Bearing box attachment with 4 locking screws (introduced 09-97), brake camshaft with 0 - 2 as last digit of code number	03.229.02.18.0	2
221	Bearing box, for grease nipple for brake camshaft with 0 - 2 as last digit of code number	03.229.02.19.0	2
225	Spherical bearing for brake camshaft with 0 - 2 as last digit of code number	03.113.14.04.0	2
227	Grease nipple	02.6802.14.50	2
230	Locking screw	02.5071.23.00	8
240-241	Brake camshafts for brakes SN 4222		
245	Assembly kit item 250 - 262, 268, 270, 274	09.801.00.14.2	2

Barry Stoodley Pty Ltd

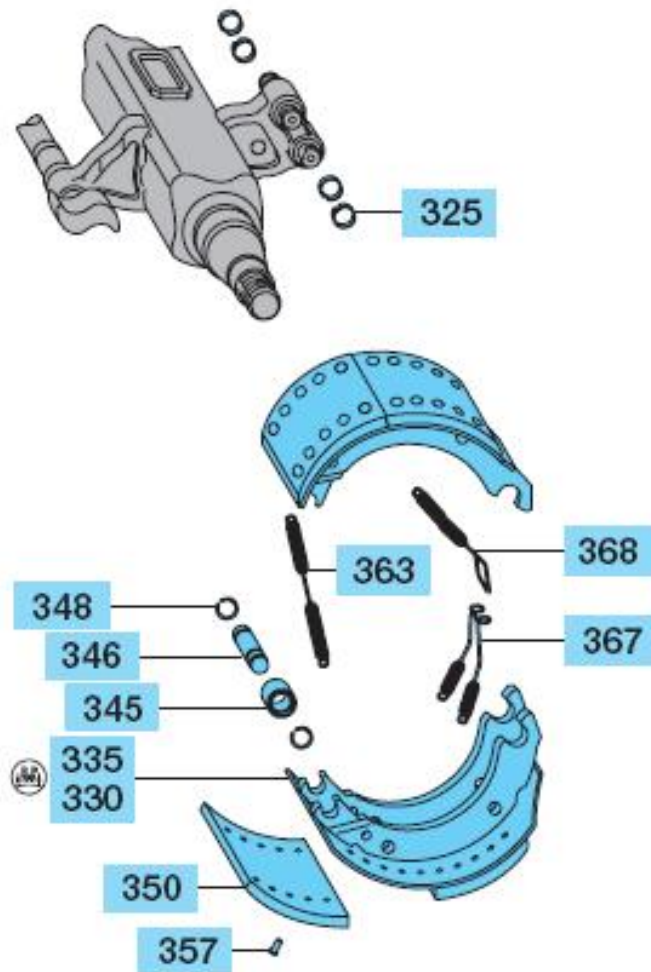
BPW CONVENTIONAL BRAKE PARTS



Conventional brake (Year of manufacture 1983 - 1995)					H. / R.
Item	Designation (Remark)	BPW Code no.	Dimension		
		SN 4212-2 SN 4218-2 SN 4220-2	---.790. / 794.--- ---.710. / 714.--- ---.718. / 723.---	SN 4222-2	---.739.---
300	Bush	03.112.33.08.0	Ø 36 / 40 x 60		03.112.33.08.0 Ø 36 / 40 x 60
310	Brake pin (cpl. item 311, 315)	09.084.46.36.0			09.084.46.35.0
311	Brake pin	03.084.46.22.0	Ø 36 x 135		03.084.46.23.0 Ø 36 x 145
315	Shaped plate	03.167.23.02.0			03.167.23.02.0
Brake type		SN 4212-2	SN 4218-2	SN 4220-2	SN 4222-2
330	Brake shoe assembly, with lining (incl. item 345 - 357)	05.091.29.84.0	05.091.46.09.0	05.091.27.79.0	05.091.28.26.0
335	Brake shoe assembly, without lining (incl. item 345 - 348)	05.091.29.51.0	05.091.26.64.2	05.091.27.54.2	05.091.28.11.2
344	Repair kit brake shoe roller (item 345 - 348)	-		09.801.02.10.0 (for 1 axle)	
345	Roller	Ø 26 / 42 x 52 Ø 26 / 42 x 78	03.331.34.06.0 -	-	03.331.34.05.0
346	Circlip	03.350.00.13.0		03.350.00.13.0	
348	Split pin	6.3 x 71 / 94 6.3 x 90 / 94	02.6201.64.01 -	-	02.6201.66.03
350	Brake lining (Textar T090)	18 mm 19 mm 19.5 mm 20 mm	03.092.29.53.0 03.092.29.54.0 03.092.29.55.0 -	03.092.26.85.0 03.092.26.86.0 - 03.092.26.87.0	03.092.27.76.0 03.092.27.77.0 - 03.092.27.78.0
360	Splined pin	Ø 12 x 70 Ø 12 x 90	03.001.08.04.0	-	03.001.08.05.0
357	Rivet (Steel)	B 8 x 15/7338	02.5805.80.35		02.5805.80.35
363	Return spring	Ø 25 / 5 x 269 Ø 25 / 4 x 262	05.397.58.07.0 (1x) -	-	05.397.46.07.0
364	Return spring	Ø 21 / 4 x 105	03.397.44.06.0		03.397.44.06.0

Barry Stoodley Pty Ltd

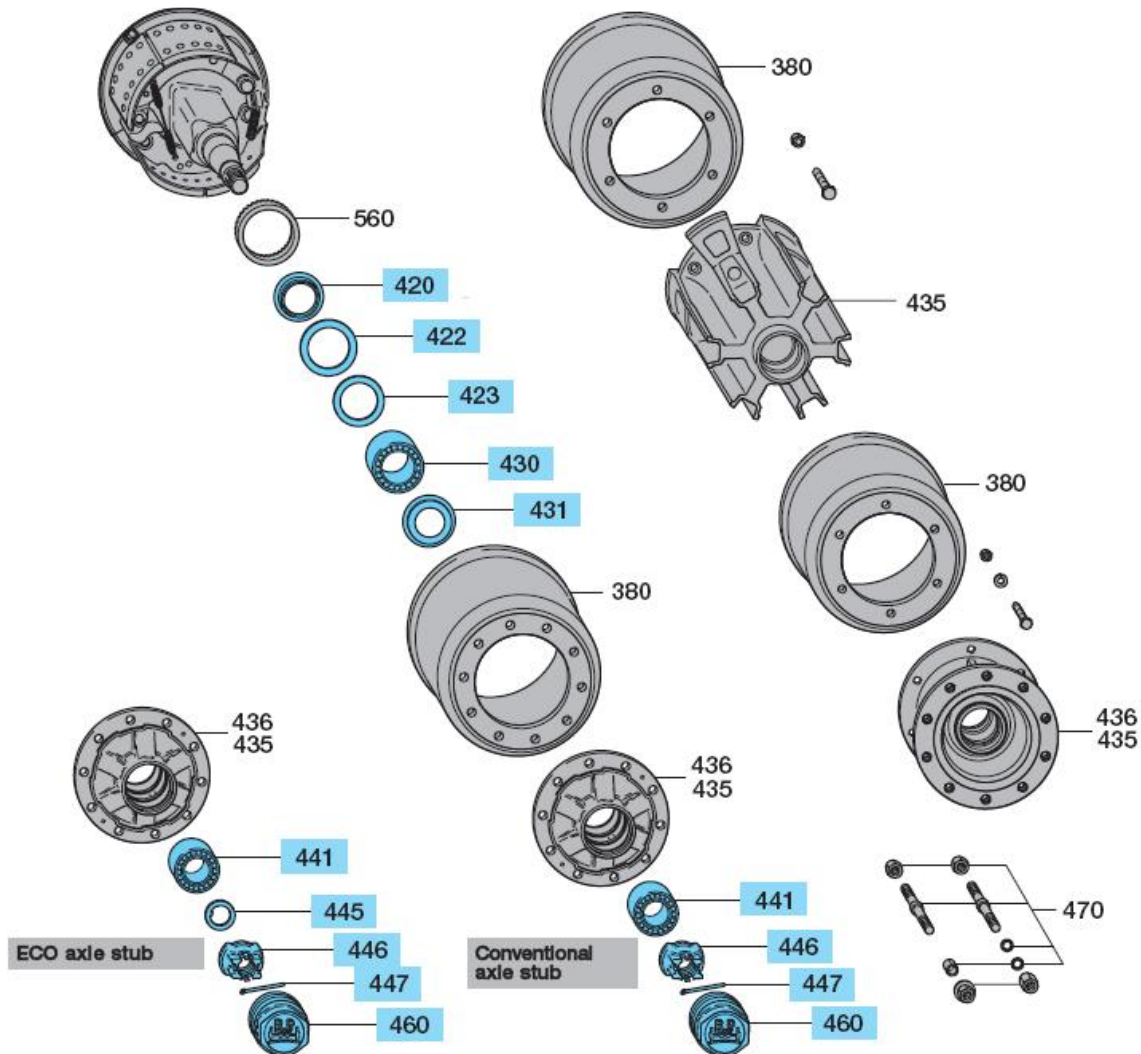
BPW BRAKE 95 PARTS



Item	Designation	Part No.	Qty
325	C' Clip	03.188.02.02.0	8
327	Repair kit brake SN 42 (return springs / 'C' clip) item 325, 363, 367, 368	09.801.06.79.0	1
328	Repair kit brake SN 4222, with brake shoes item 315, 330, 363, 364	09.801.02.53.0	1
330	Brake shoe assembly, with lining item 335, 350, 357	N/A	4
335	Brake shoe assembly, without lining incl. item 345 - 348	05.090.26.60..2	4
345	Roller	05.331.44.02.0	4
346	Bolt	03.084.75.24.0	4
348	Ring	03.310.70.15.0	8
350	Brake lining		8
357	Rivet	02.5805.80.35	80
363	Return spring	05.397.58.03.0	2
367	Return spring	03.397.33.06.0	2
368	Return spring	03.397.33.07.0	2

Barry Stoodley Pty Ltd

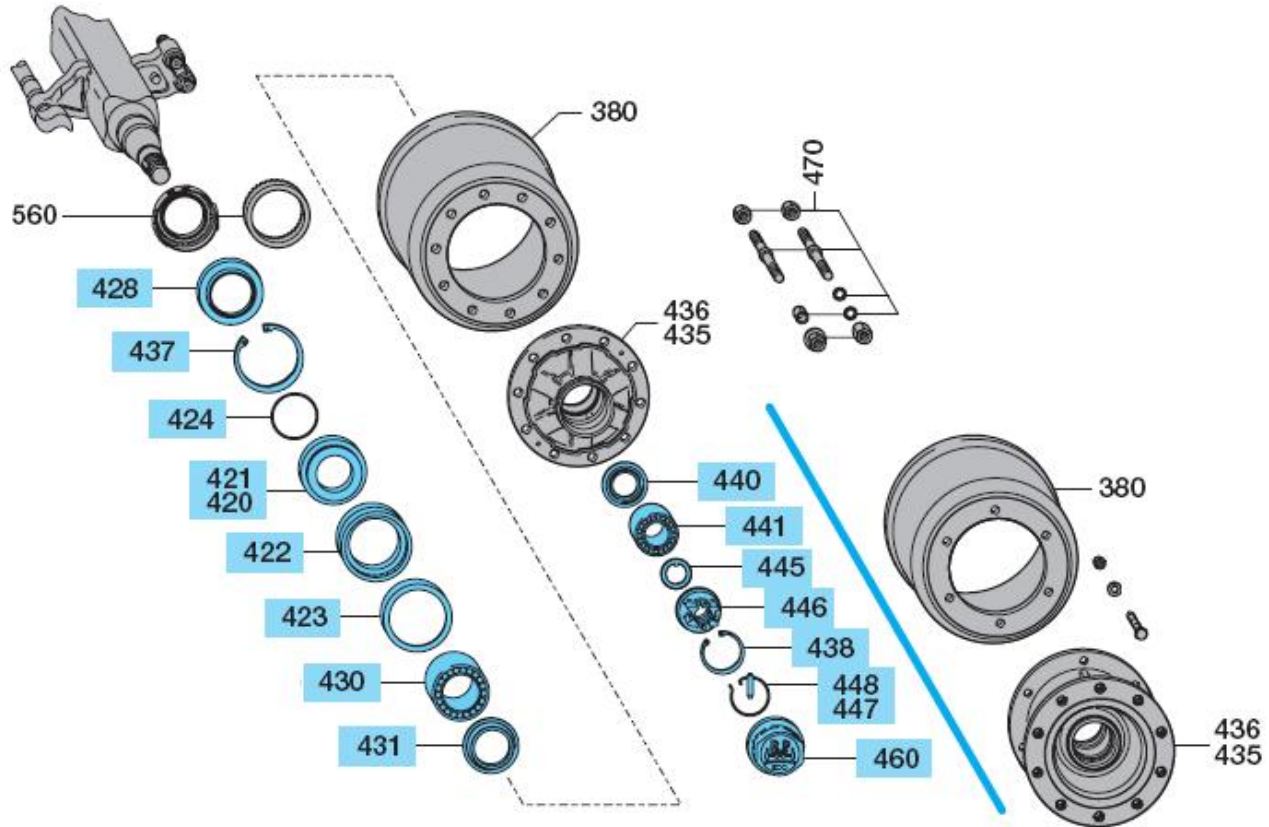
BPW CONVENTIONAL HUB BEARING PARTS



Item	Designation	Part No.	Qty
380	Brake drums		2
418	Repair kit roller bearings with thrust ring and hub cap item 420, 422, 423, 430, 431, 441, 447, 460	09.801.02.18.0	2
419	Repair kit roller bearings with thrust ring and hub cap item 422, 423, 430, 431, 441, 447	09.801.02.98.0	2
420	Thrust washer	05.370.07.43.0	2
422	Ring (Nylon)	03.310.98.21.0	2
423	Ring (Nylon)	03.310.97.30.0	2
430	Roller bearing	02.6410.23.00	2
431	Dust cover	03.010.05.22.0	2
435	Hubs, conventional hub bearing system 10 - 12 tonnes		2
435	Trilix wheels and attachment parts		2
436	Spline pin		
441	Roller bearing	02.6410.22.00	2
445	Disc	03.320.64.01.0	2
447	Split pin	02.6201.84.01	2
446	Castle nut	03.262.17.12.0	2
446	Castle nut	03.262.17.16.0	2
460	Hub cap	03.212.24.07.0	2
460	hub cap	03.212.24.23.0	2
460	Hubodometer hub caps, conventional hub bearing system, 10 - 12 tonnes (hub cap thread M 125x2)		
470-479	Wheel studs		
560	Ring (Exciter ring) for ABS		

Barry Stoodley Pty Ltd

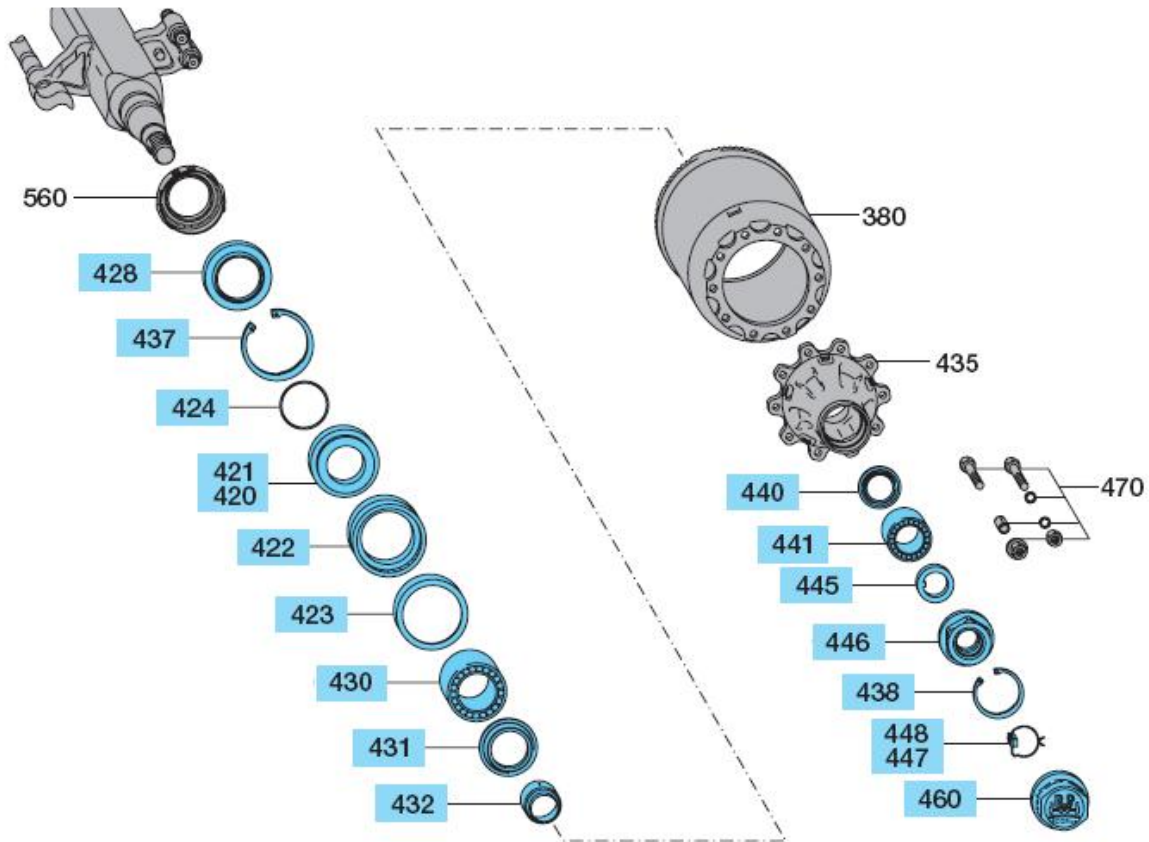
BPW ECO HUB BEARING PARTS



Item	Designation	Part No.	Qty
300	Brake bolt bush	03.112.33.08.0	4
310	Brake bolt complete item 311, 315	09.084.46.35.0	4
311	Brake bolt	03.084.46.23.0	4
315	Shaped plate	03.167.23.02.0	4
330	Brake shoe assembly, with lining item 335, 350, 357	05.091.28.26.0	4
335	Brake shoe assembly, without lining incl. item 345 - 348	05.091.28.11.2	4
344	Repair kit brake shoe roller item 345 - 348	09.801.02.10.0	1
345	Roller	03.331.34.05.0	4
346	Cirdip	03.350.00.13.0	8
348	Split pin	02.6201.66.03	4
350	Brake lining		8
351	Textar T090 linings		
357	Rivet	02.5805.80.35	80
360	Splined pin	03.001.08.05.0	4
361	Cirdip	02.3317.17.00	2
363	Return spring	05.397.46.07.0	4
364	Return spring	05.397.46.06.0	8
365	Return spring	03.397.45.10.0	4
366	Plate	03.285.22.05.0	2

Barry Stoodley Pty Ltd

BPW ECO PLUS HUB BEARING PARTS



Item	Designation	Part No.	Qty
380	Brake drums	Contact for assistance	2
420	Thrust Washer cpl. item 421, 422, 424	05.370.07.73.0	2
421	Thrust washer	03.370.07.72.0	2
422	Oil seal	02.5664.74.00	2
423	Ring	02.5683.80.00	2
424	O-ring	02.5678.00.00	2
428	Dirt seal	03.120.48.15.0	2
430	Roller bearing - Inner	33118	2
431	Dust cover	03.010.93.34.0	2
435	Hubs, ECO Plus hub system, 10 - 12 tonnes	Contact for assistance	
437	Locking ring - Inner	02.5606.60.90	2
438	Locking ring - Outer	02.5606.22.90	2
440	Thrust washer	03.370.26.24.0	2
441	Roller bearing - Outer	33213	2
445	Disc	03.320.64.01.0	2
446	Axle nut	05.266.47.06.0	2
447	Locking piece	03.277.00.07.0	2
448	Hooked spring ring	03.188.04.10.0	2
460	Hub cap	03.212.25.31.0	2
460	Hubodometer hub caps, ECO Plus hub bearing system, 10 - 12 tonnes (hub cap thread M 136 x 2,5)	Contact for assistance	
470-479	Wheel studs	"	
560	Ring (Exciter ring) for ABS	"	