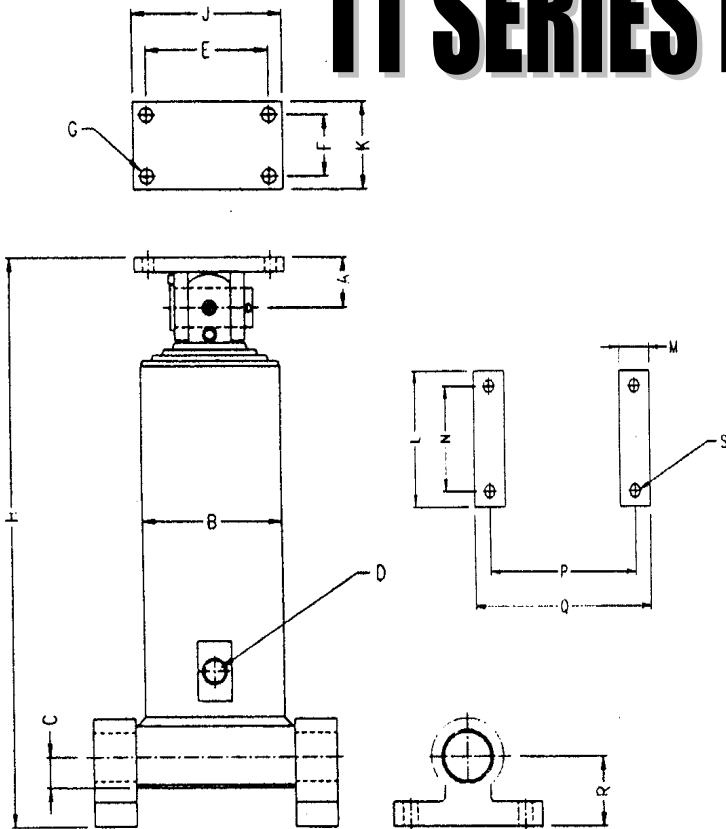


Barry Stoodley Pty Ltd

TT SERIES DELHOIST



	MODEL									
	35TT	45TT	55TT	65TT	77TT 3 Stg	77TT 4 Stg	87TT 4 stg	87TT 5 stg	97TT	
A	40	40	49	57	69	57	69	57	69	
B	89	114	140	165	197	197	223	223	248	
C	27	30	33	35	35	35	45	45	45	
E	85	85	148	148	184	146	184	146	184	
F	85	85	70	70	95	70	95	70	95	
G	M12	M12	M12	M12	M16	M12	M16	M12	M16	
J	117	117	178	178	216	178	216	178	216	
K	117	117	100	100	130	100	130	100	130	
L	130	140	160	155	215	215	220	220	275	
M	50	50	50	50	70	70	80	80	80	
N	95	105	110	115	165	165	165	165	216	
P	154	188	212	242	305	305	343	343	379	
Q	204	238	265	290	375	375	420	420	450	
R	56	65	70	80	90	90	110	110	115	
S	14	14	17	17	20	20	20	20	26	

PORT SIZE 'D' - 35TT, 45TT, 55TT, 65TT = 1 1/16" UNO
 - 77TT, 87TT, 97TT = 1 5/16" UNO

MODEL DESIGNATION

S2-**TT-**-*



MODEL	Ram Stroke mm	Tipping Capacity 48°	Pivot Length mm	Swept Volume litres	Ram Mass kg	Height H mm
S2-35TT-2-2.3	2300	7.3 t	2920	7	48	1484
S2-35TT-2-2.7	2700	7.3 t	3430	8	53	1684
S2-45TT-3-3.0	3000	7.7 t	3780	12	66	1347
S2-45TT-3-3.7	3700	7.7 t	4660	15	76	1580
S2-55TT-2-2.45	2450	20 t	3110	24	101	1600
S2-55TT-3-2.65	2650	20 t	3340	22	93	1254
S2-55TT-3-2.85	2850	20 t	3590	24	98	1321
S2-55TT-3-3.0	3000	20 t	3780	25	101	1371
S2-55TT-3-3.26	3260	20 t	4110	27	107	1457
S2-55TT-3-3.6	3600	20 t	4540	30	114	1571
S2-55TT-3-3.8	3800	20 t	4790	31	118	1637
S2-55TT-3-4.0	4000	20 t	5040	33	123	1704
S2-55TT-3-4.2	4200	20 t	5290	35	127	1771
S2-55TT-3-4.7	4700	20 t	5920	39	138	1937
S2-55TT-4-4.7	4700	14 t	5900	33	123	1548
S2-65TT-3-2.65	2650	30 t	3340	31	114	1269
S2-65TT-3-2.85	2850	30 t	3590	33	120	1336
S2-65TT-3-3.0	3000	30 t	3780	35	123	1386
S2-65TT-3-3.15	3150	30 t	3970	37	127	1436
S2-65TT-3-3.3	3300	30 t	4160	38	131	1486
S2-65TT-3-3.45	3450	30 t	4350	40	135	1536
S2-65TT-3-3.7	3700	30 t	4660	43	142	1619
S2-65TT-3-3.84	3840	30 t	4840	45	145	1666
S2-65TT-4-3.88	3885	21 t	4880	39	133	1352
S2-65TT-3-4.0	4000	30 t	5040	46	150	1719
S2-65TT-3-4.2	4200	30 t	5290	49	155	1786
S2-65TT-4-4.28	4285	21 t	5380	43	142	1463
S2-65TT-3-4.6	4600	30 t	5800	53	165	1919

MODEL	Ram Stroke mm	Tipping Capacity 48°	Pivot Length mm	Swept Volume litres	Ram Mass kg	Height H mm
S2-65TT-4-4.68	4685	21 t	5880	47	151	1563
S2-65TT-4-5.00	5000	21 t	6280	50	158	1642
S2-65TT-4-5.20	5200	21 t	6530	52	163	1692
S2-65TT-4-5.80	5600	21 t	7030	56	172	1792
S2-77TT-3-3.36	3360	43 t	4230	54	192	1543
S2-77TT-3-3.8	3800	43 t	4780	61	208	1689
S2-77TT-3-4.2	4200	43 t	5290	67	222	1823
S2-77TT-3-4.44	4440	43 t	5590	71	231	1889
S2-77TT-4-4.54	4545	32 t	5700	64	208	1536
S2-77TT-4-5.06	5065	32 t	6350	71	224	1666
S2-77TT-4-5.6	5600	32 t	7020	79	240	1800
S2-77TT-4-5.9	5900	32 t	7400	83	249	1875
S2-77TT-4-6.1	6100	32 t	7650	86	255	1925
S2-87TT-4-4.95	4955	45 t	6220	95	275	1690
S2-87TT-4-5.87	5875	45 t	7370	112	308	1920
S2-87TT-4-6.27	6275	45 t	7880	120	322	2020
S2-87TT-4-6.4	6400	45 t	8030	122	327	2056
S2-87TT-5-6.352	6352	33 t	7940	107	300	1699
S2-87TT-4-6.9	6900	45 t	8660	132	345	2177
S2-87TT-4-7.2	7200	45 t	9040	138	357	2252
S2-87TT-4-7.6	7600	45 t	9540	145	372	2363
S2-97TT-4-5.94	5945	60 t	7450	151	355	1942
S2-97TT-4-6.34	6345	60 t	7950	161	371	2042
S2-97TT-5-6.352	6352	48 t	7940	143	345	1730
S2-97TT-5-6.900	6900	48 t	8620	156	365	1840
S2-97TT-4-7.3	7300	60 t	9150	186	411	2287
S2-97TT-4-7.7	7700	60 t	9650	196	429	2394
S2-97TT-4-7.8	7800	60 t	9770	198	433	2421

Barry Stoodley Pty Ltd

DELHOIST Foot Mount Chart

HOIST SIZE	PART NUMBER	TYPE	CODE	S HEIGHT mm	HOLE CENTRES mm
55TT	0001X1388	STD		70	110
	0001X1381	LOW	OP1	50	
	0001X0829	HIGH	OP2	110	
65TT	0001X1384	STD		80	115
	0001X1379	LOW	OP1	50	140
	0001X0830	HIGH	OP2	110	95
77TT	0001X1396	STD		90	165
	0001X1380	LOW	OP1	50	165
	0001X0831	HIGH	OP2	125	165
87TT	0001X1389	STD		110	165
	0001X0989	LOW	OP1	63	165
	0001X0483	HIGH	OP2	150	165
97TT	0001X1401	STD		115	216
	0001X1375	LOW	OP1	63	216
	0001X0906	HIGH	OP2	150	216

