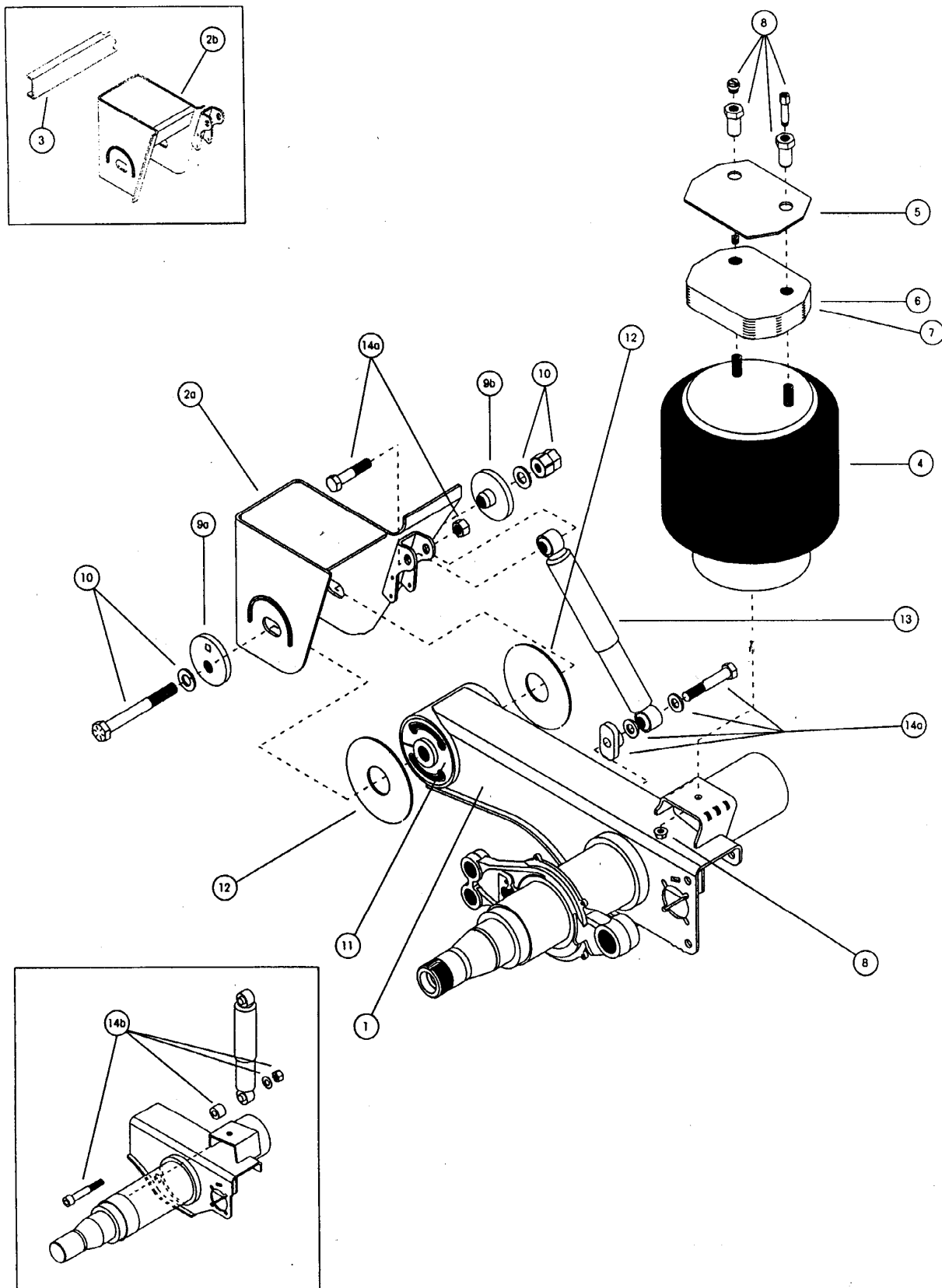


Barry Stoodley Pty Ltd

HENDRICKSON

TOP MOUNT SUSPENSION

AA230/AA250 SUSPENSION AND AXLE COMPONENTS



Barry Stoodley Pty Ltd

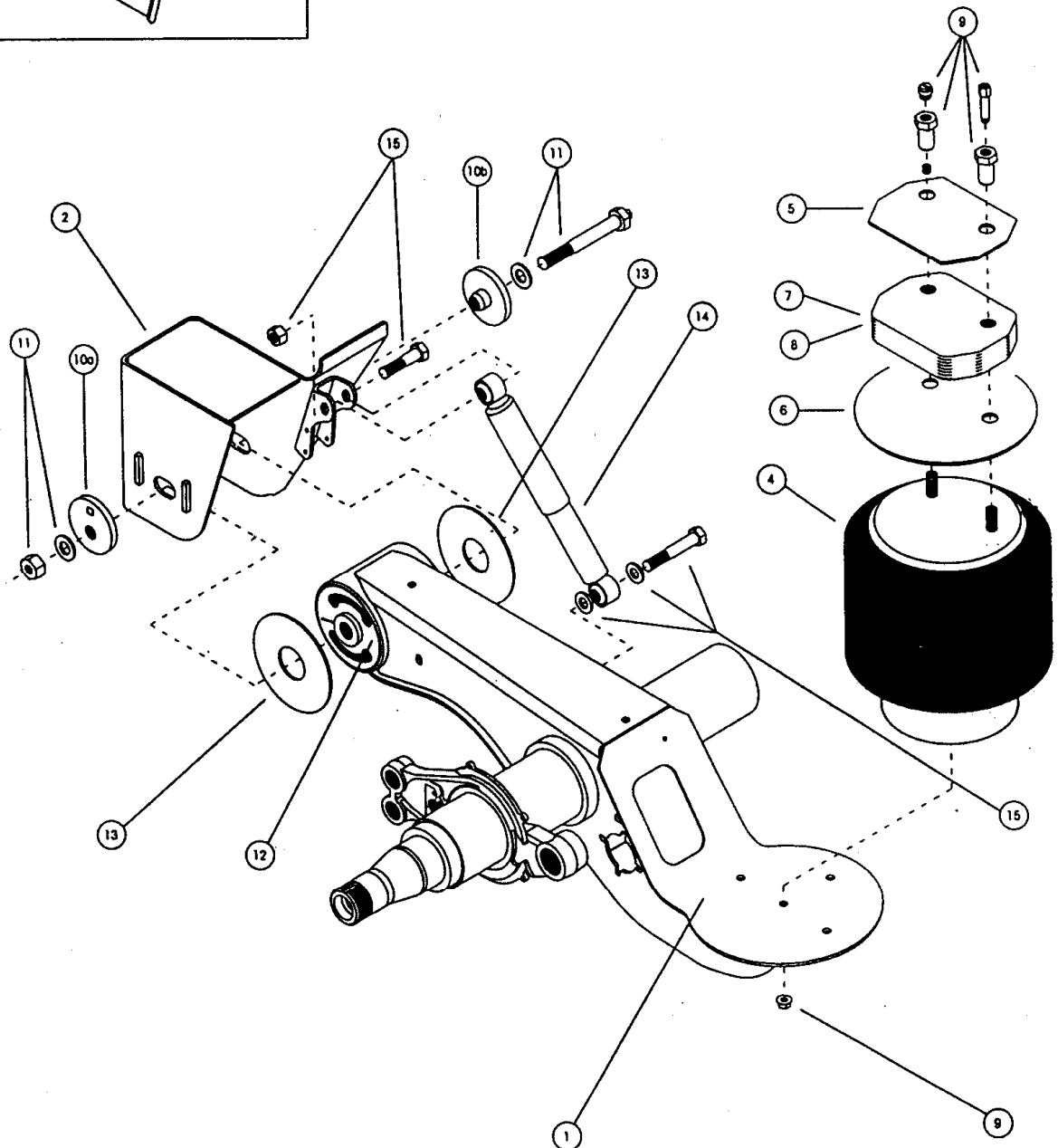
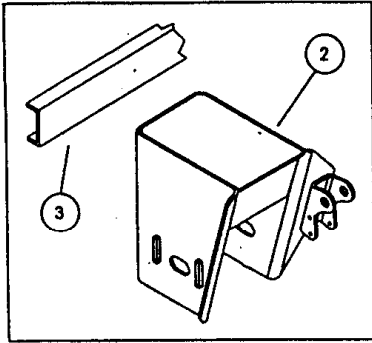
ITEM	DESCRIPTION	PART NO.	QTY	NOTE
1	AXLE/BEAM WELDMENT			CONTACT FOR ASSISTANCE
2	FRAME BRACKET (HANGER)			
2a	8" WELD-ON, WINGED, LH	S-21028-1	1	13.5", 15" RIDE HEIGHTS
	10" WELD-ON, WINGED, LH	S21082-1	1	16", 17" RIDE HEIGHTS
	12" WELD-ON, WINGED, LH	S-21083-1	1	19" RIDE HEIGHT
	8" WELD-ON, WINGED, RH	S-21028-2	1	13.5", 15" RIDE HEIGHTS
	10" WELD-ON, WINGED, RH	S-21082-2	1	16", 17" RIDE HEIGHTS
	12" WELD-ON, WINGED, RH	S-21083-2	1	19" RIDE HEIGHTS
3	FRAME BRACKET CHANNEL			CONTACT FOR ASSISTANCE
4	AIR SPRING	C-21784	2	INCLUDES DISC ASSEMBLY
		C-20901	2	AIR SPRING ONLY - CHECK CONDITION OF LOWER DISC (B-21786)
5	AIR SPRING TOP PLATE	B-20905	2	13.5" TO 17" RIDE HEIGHTS ONLY
6	AIR SPRING SPACER			
	PLASTIC, 1-1/8" THICK (29mm)	S-22510-1	2	TYPICALLY 15" RIDE HEIGHT
	PLASTIC, 1-7/8" THICK (48mm)	S-22510-2	2	TYPICALLY 16" RIDE HEIGHT (AND LIMITED JOUNCE)
	PLASTIC, 3-1/8" THICK (29mm)	S-22510-3	2	TYPICALLY 17" RIDE HEIGHT
7	AIR SPRING SPACER ASSEMBLY			
	STEEL, WELD-ON, 5-5/16" THICK (135mm)	S-22302-6	2	TYPICALLY 19" RIDE HEIGHT
8	AIR SPRING MOUNTING KIT	S-22619	1	NO SPACER OR S-22302-6 SPACER
	(AIR FITTINGS AND EXTENSION SLEEVES)	S-22630	1	1-1/8" SPACER (15" RIDE HEIGHT)
		S-22631	1	1-7/8" SPACER (16" RIDE HEIGHT & LIMITED JOUNCE)
		S-22632	1	3-1/8" SPACER (17" RIDE HEIGHT)
9	ALIGNMENT COLLARS			
9a	ECCENTRAC ALIGNMENT COLLAR	C-20925	2	PIVOT BOLT HOLE IS OFFSET FROM CENTRE OF COLLAR
9b	CONCENTRIC ALIGNMENT COLLAR	C-20924	2	PIVOT BOLT HOLE IS IN CENTRE OF COLLAR
10	QUIK-ALIGN PIVOT BOLT KIT	S-24679	2	INCLUDES TORQ-RITE BOLT, NUT AND WASHERS
11	QUIK-ALIGN PIVOT BUSHING KIT	S-24691	2	INCLUDES BUSHING, PIVOT BOLT KIT, WEAR PADS AND LUBE
12	BUSHING WEAR PAD	B-11613P	2	PACK OF 2, ONE PACK PER TRAILING ARM REQUIRED
13	SHOCK ABSORBER	S-21699	2	B-21699" IS STAMPED INTO THE SHOCK ABSORBER
14	SHOCKER ABSORBER BOLT KIT	S-24049	1	ONE REQUIRED PER AXLE
		S-23845	2	LOWER SHOCK BOLT KIT ONLY

Barry Stoodley Pty Ltd

HENDRICKSON

LOW MOUNT SUSPENSION

AA230/AA250 SUSPENSION AND AXLE COMPONENTS



Barry Stoodley Pty Ltd

ITEM	DESCRIPTION	PART NO.	QTY	NOTE
1	AXLE/BEAM WELDMENT			CONTACT FOR ASSISTANCE
2	FRAME BRACKET (HANGER)			CONTACT FOR ASSISTANCE
3	FRAME BRACKET CHANNEL			CONTACT FOR ASSISTANCE
4	AIR SPRING			
	FOR 6.5" & 7.5" RIDE HEIGHTS	S-23721	2	RUBBER ELEMENT NO. IT15MBTW6
	FOR 9" RIDE HEIGHT	S-23611	2	RUBBER ELEMENT NO. IT15MBTW10
	FO 12" RIDE HEIGHT	S-23612	2	RUBBER ELEMENT NO. IT15MBTW12
5	AIR SPRING TOP PLATE			REFER ITEM 6
6	AIR SPRING TOP PLATE	S-23294	2	
7	AIR SPRING SPACER			CONTACT FOR ASSISTANCE
8	AIR SPRING SPACER			CONTACT FOR ASSISTANCE
9	AIR SPRING MOUNTING KIT (AIR FITTINGS AND EXTENSION SLEEVES)	S-22619	1	ALL RIDE HEIGHTS (NO SPACER)
10	ALIGNMENT COLLARS			
10a	ECCENTRIC ALIGNMENT COLLAR	C-20925	2	PIVOT BOLT HOLE IS OFFSET FROM CENTRE OF COLLAR
10b	CONCENTRIC	C-20924	2	PIVOT BOLT HOLE IS IN CENTRE OF COLLAR
11	QUIK-ALIGN PIVOT BOLT KIT	S-24679	2	INCLUDES TORO-RITE BOLT NUT AND WASHER
12	QUIK-ALIGN PIVOT BUSHING KIT	S-24691	2	INCLUDES BUSHING, PIVOT BOLT KIT, WEAR PADS AND LUBE
13	BUSHING WAER PAD	B-11613-2P	2	PACK OF 2, ONE PACK PER TRAILING ARM REQUIRED
14	SHOCK ABSORBER			
	6.5" - 9" RIDE HEIGHTS	S-24579	2	
	12" RIDE HEIGHT	S-24023	2	
15	SHOCK ABSORBER BOLT KIT	S-24757	1	ONE REQUIRED PER AXLE