

Barry Stoodley Pty Ltd



FIFTH WHEELS

pro-hitch 351 Cast Fifth Wheels

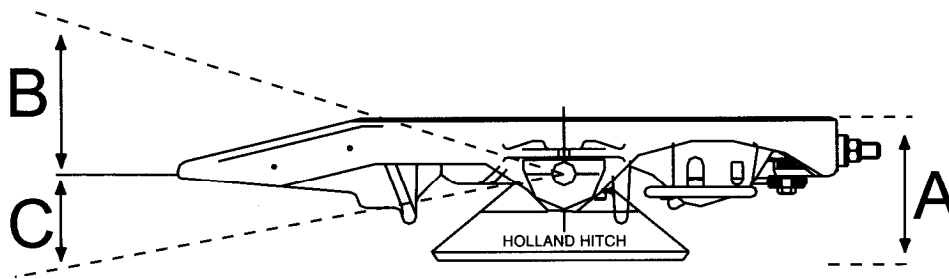
GO THE DISTANCE.

CAST STEEL Construction to suit 50mm Kingpin.

All Fifth Wheel packages: Tested to AS4968 series under requirements of ADR 62/01

pro-hitch351 D rating: 50/165

As configurations can change, please refer to the respective assembly or part no. for the correct & applicable D rating.



Part Number	Height (A)	Assembly Weight	Oscillation		D-Rating kN	CRN Number
			B	C		
*XA351A		110 kg	Top Only		50/165	N/A
**FW351L	143 mm	123 kg	10 deg	8 deg	50/165	16754
**FW351T	165 mm	128 kg	15 deg	12 deg	50/165	16754
FW351F	188 mm	130 kg	18 deg	16 deg	50/165	16754
FW351A	198 mm	131 kg	21 deg	18 deg	50/165	16754
FW351X	233 mm	136 kg	29 deg	23 deg	50/165	16754

* Top plate only -c/w foot pins & fixings.

** Restricted Angle of Pitch - Base plate must have cut outs to allow for the minimum 8 degrees fore & aft oscillation.

Note: All FW351 cast fifth wheels complete with feet are now using a cast steel weld on type foot.

Not suitable for livestock

Barry Stoodley Pty Ltd



FIFTH WHEELS

pro-hitch 351 Cast Fifth Wheels On A Base Plate

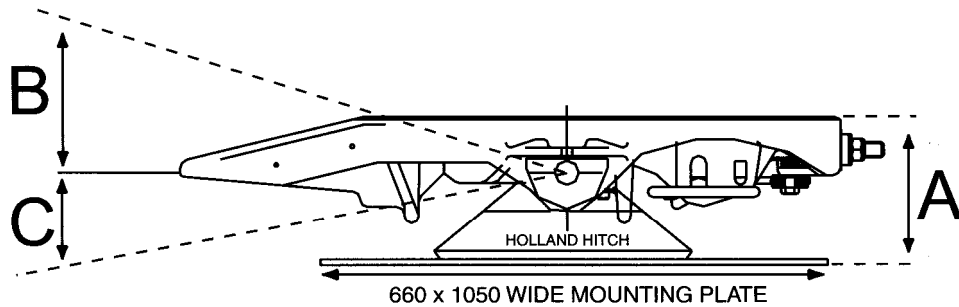
GO THE DISTANCE.

CAST STEEL Construction to suit 50mm Kingpin.

All Fifth Wheel packages: Tested to AS4968 series under requirements of ADR 62/01

pro-hitch351 D rating: 50/165

As configurations can change, please refer to the respective assembly or part no. for the correct & applicable D rating.



Part Number	Height (A)	Base Plate Thickness	Assembly Weight	Oscillation		D-Rating kN	CRN Number
				B	C		
*FW351L2	159 mm	16 mm	214 kg	10 deg	8 deg	50/165	16626
*FW351L3	163 mm	20 mm	241 kg	10 deg	8 deg	50/165	16626
*FW351T2	181 mm	16 mm	220 kg	15 deg	12 deg	50/165	16626
*FW351T3	185 mm	20 mm	246 kg	15 deg	12 deg	50/165	16626
FW351F2	204 mm	16 mm	222 kg	18 deg	16 deg	50/165	16626
FW351F3	208 mm	20 mm	248 kg	18 deg	16 deg	50/165	16626
FW351A2	214 mm	16 mm	223 kg	21 deg	18 deg	50/165	16626
FW351A3	218 mm	20 mm	249 kg	21 deg	18 deg	50/165	16626
FW351X2	249 mm	16 mm	227 kg	29 deg	23 deg	50/165	16626
FW351X3	253 mm	20 mm	254 kg	29 deg	23 deg	50/165	16626

* Restricted Angle of Pitch - Base plate must have cut outs to allow for the minimum 8 degrees fore & aft oscillation.

Note: Specifications regarding heights and weights are nominal only. We reserve the right to make changes as necessary.

Not suitable for livestock

Barry Stoodley Pty Ltd



FIFTH WHEELS

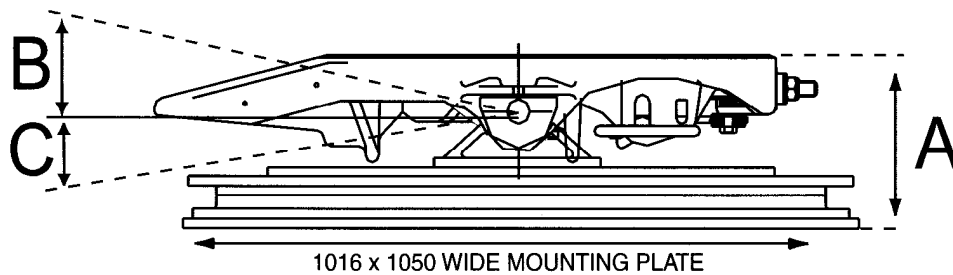
pro-hitch 351 Cast Fifth Wheels On A Single Row Ballrace Assembly

CAST STEEL Construction to suit 50mm Kingpin.

All Fifth Wheel packages: Tested to AS4968 series under requirements of ADR 62/01

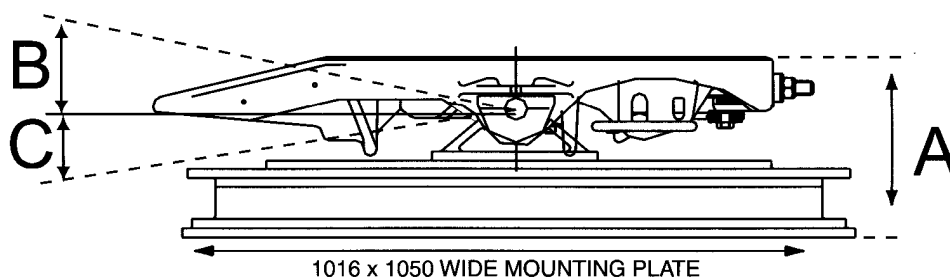
pro-hitch351 D rating: 50/165

As configurations can change, please refer to the respective assembly or part no. for the correct & applicable D rating.



Part Number	Height (A)	Base Plate Thickness	Assembly Weight	Oscillation B	Oscillation C	D-Rating kN	CRN Number
FW351LS4	231 mm	16 mm	319 kg	13 deg	9 deg	50/165	16641
FW351TS4	253 mm	16 mm	320 kg	13 deg	12 deg	50/165	16641
FW351AS4	286 mm	16 mm	323 kg	17 deg	12 deg	50/165	16641

pro-hitch 351 Cast Fifth Wheels On A Double Row Ballrace Assembly



Part Number	Height (A)	Base Plate Thickness	Assembly Weight	Oscillation B	Oscillation C	D-Rating kN	CRN Number
FW351LD4	261 mm	16 mm	340 kg	13 deg	9 deg	50/165	16627
FW351TD4	283 mm	16 mm	341 kg	17 deg	12 deg	50/165	16627
FW351AD4	316 mm	16 mm	344 kg	17 deg	12 deg	50/165	16627

Note: 'S' Suffix in part number = Single row ball race.

'D' Suffix in part number = Double row ball race.

Specifications regarding heights and weights are nominal only. We reserve the right to make changes as necessary.

Not suitable for livestock

Barry Stoodley Pty Ltd



GO THE DISTANCE.

FIFTH WHEELS

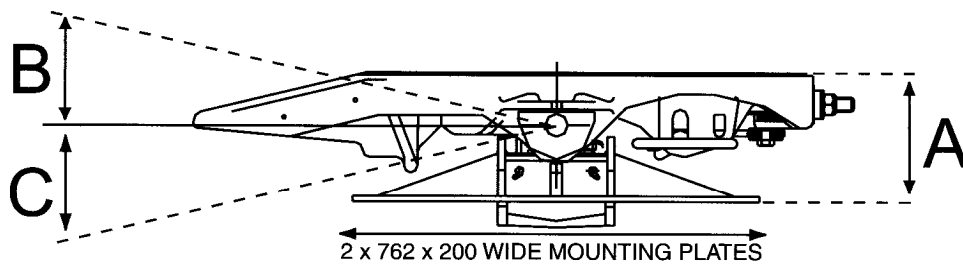
pro-hitch 351 Cast Fifth Wheels On A Kompensator

CAST STEEL Construction to suit 50mm Kingpin.

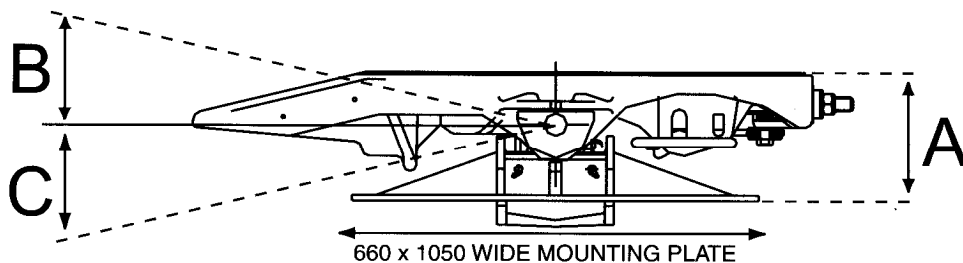
All Fifth Wheel packages: Tested to AS4968 series under requirements of ADR 62/01

pro-hitch351 D rating: 50/165

As configurations can change, please refer to the respective assembly or part no. for the correct & applicable D rating.



Part Number	Height (A)	Base Plate Thickness	Assembly Weight	Oscillation		D-Rating kN	CRN Number
				B	C		
FW351K	240 mm	12 mm	241 kg	23 deg	23 deg	50/163	16639



Part Number	Height (A)	Base Plate Thickness	Assembly Weight	Oscillation		D-Rating kN	CRN Number
				B	C		
FW351KP	240 mm	12 mm	265 kg	23 deg	23 deg	50/163	16637
FW351KP6	244 mm	16 mm	282 kg	23 deg	23 deg	50/163	16637
FW351KP7	248 mm	20 mm	299 kg	23 deg	23 deg	50/163	16637

Note: Kompensator Allows 5 degree of oscillation either side of vertical centre line. Centre of gravity not to exceed 1120mm above Fifth Wheel Top Plate Surface.

Specifications regarding heights and weights are nominal only. We reserve the right to make changes as necessary.

Not suitable for livestock

Barry Stoodley Pty Ltd



FIFTH WHEELS

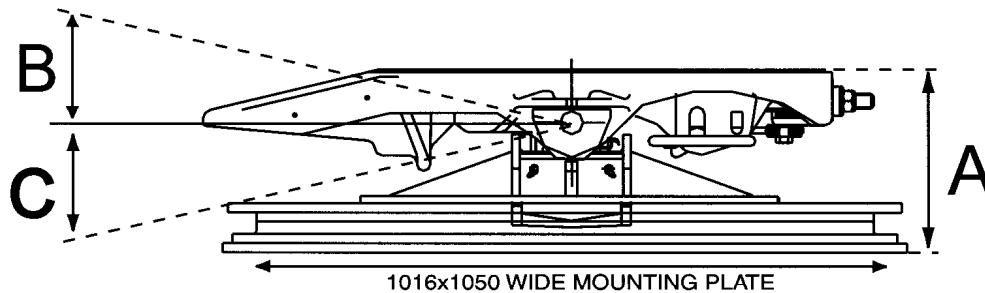
pro-hitch 351 Cast Fifth Wheels On A Single Row Ballrace/Kompensator

CAST STEEL Construction to suit 50mm Kingpin.

All Fifth Wheel packages: Tested to AS4968 series under requirements of ADR 62/01

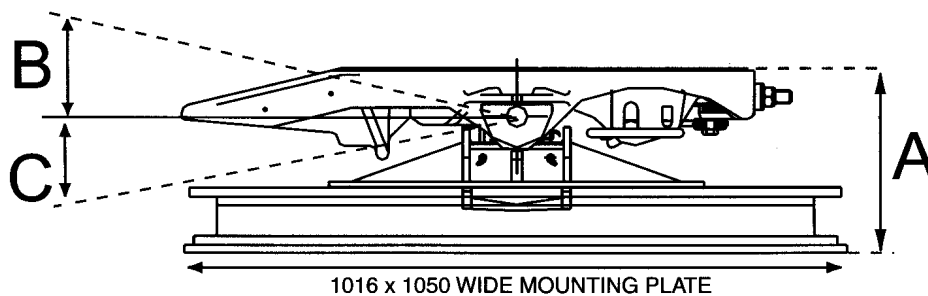
pro-hitch351 D rating: 50/165

As configurations can change, please refer to the respective assembly or part no. for the correct & applicable D rating.



Part Number	Height (A)	Base Plate Thickness	Assembly Weight	Oscillation		D-Rating kN	CRN Number
				B	C		
FW351KS4	301 mm	16 mm	397 kg	19 deg	19 deg	50/163	16640
FW351KS5	305 mm	20 mm	423 kg	19 deg	19 deg	50/163	16640

pro-hitch 351 Cast Fifth Wheels On A Double Row Ballrace/Kompensator



Part Number	Height (A)	Base Plate Thickness	Assembly Weight	Oscillation		D-Rating kN	CRN Number
				B	C		
FW351KD4	331 mm	16 mm	418 kg	19 deg	19 deg	50/163	16636
FW351KD5	335 mm	20 mm	443 kg	19 deg	19 deg	50/163	16636

Note: Kompensator Allows 5 degree of oscillation either side of Vertical centre line. Centre of gravity not to exceed 1120mm above Fifth Wheel Top Plate Surface

Specifications regarding heights and weights are nominal only. We reserve the right to make changes as necessary.

Not suitable for livestock

Barry Stoodley Pty Ltd



FIFTH WHEELS

pro-hitch 351 Cast Fifth Wheel Options

CAST STEEL Construction to suit 50mm Kingpin.

All Fifth Wheel packages: Tested to AS4968 series under requirements of ADR 62/01

pro-hitch351 D rating: 50/165

As configurations can change, please refer to the respective assembly or part no. for the correct & applicable D rating.

pro-hitch 351 Cast Fifth Wheels On A Slider



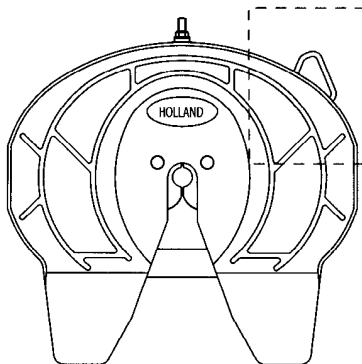
Base width 1003mm. Travel in 50.8 mm increments.

Part Number	Height (A)	Assembly Weight	Oscillation		Travel Length	Base Length	D-Rating kN	CRN Number
			Fore	AFT				
FW35112	173mm	219.4 kg	8 deg	8 deg	610mm	1135mm	TBA	TBA
FW35122	198mm	220.4 kg	10 deg	12 deg	610mm	1135mm	TBA	TBA
FW35132	223mm	222.2 kg	15 deg	15 deg	610mm	1135mm	TBA	TBA

Part Number	Height (A)	Assembly Weight	Oscillation		Travel Length	Base Length	D-Rating kN	CRN Number
			Fore	AFT				
FW35113	173mm	236.5 kg	8 deg	8 deg	915mm	1440mm	TBA	TBA
FW35123	198mm	238.1 kg	10 deg	12 deg	915mm	1440mm	TBA	TBA
FW35133	223mm	239.9 kg	15 deg	15 deg	915mm	1440mm	TBA	TBA

Note: All weights are nominal and subject to variation.

pro-hitch 351 Handle Option



B-Double

When ordering "B" Double configuration add 'B' to 351 part no. eg FW351AB. Will attract same CRN and Assembly numbers as standard models.

Note: Ears removed from top plate to minimum width 915mm. All weights, oscillation, Ratings as per standard 351 assembly specs. When uncoupled release handle does not protrude past the casting width.

Note: Specifications regarding heights and weights are nominal only. We reserve the right to make changes as necessary.

Not suitable for livestock