

Barry Stoodley Pty Ltd



FIFTH WHEELS FW70 Cast Fifth Wheels

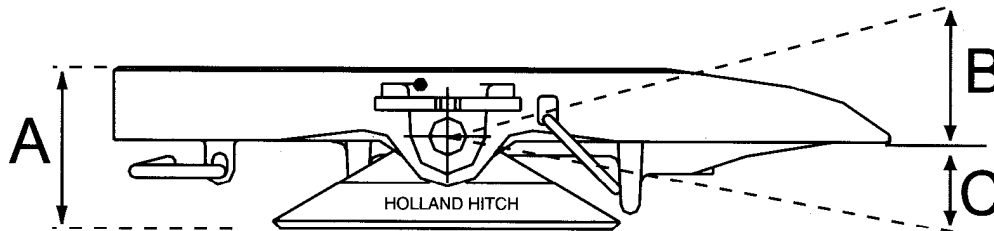
GO THE DISTANCE.

CAST STEEL Construction to suit 50 & 90mm Kingpin.

All Fifth Wheel package: Tested to AS4968 series under requirements of ADR 62/01

FW70 D rating: 50/D 240 (50mm) & 90/D 270 (90 mm).

As configurations can change, please refer to the respective assembly or part no. for the correct & applicable D rating.



FW70 50mm Top Plate

Part Number	Height (A)	Assembly Weight	Oscillation		D-Rating kN	CRN Number
			B	C		
*FW70D	N/A	153 kg	Top Only		N/A	N/A
FW70DT	165 mm	172 kg	10 deg	11 deg	50/240	16755
FW70DF	188 mm	174 kg	18 deg	16 deg	50/240	16755
FW70DA	198 mm	175 kg	20 deg	18 deg	50/240	16755
FW70DX	232 mm	179 kg	26 deg	24 deg	50/240	16755

FW70 90mm Top Plate

Part Number	Height (A)	Assembly Weight	Oscillation		D-Rating kN	CRN Number
			B	C		
*FW70O	N/A	154 kg	Top Only		N/A	N/A
FW70OT	165 mm	173 kg	10 deg	11 deg	90/240	16756
FW70OF	188 mm	175 kg	18 deg	16 deg	90/240	16756
FW70OA	198 mm	176 kg	20 deg	18 deg	90/240	16756
FW70OX	232 mm	180 kg	26 deg	24 deg	90/240	16756

* Top plate only c/w foot pins and fixings

Note: All FW70 Fifth Wheel assemblies are supplied in LH Release as standard.

RH Release is available, use the suffix "R" when ordering this option. ie: FW70DT2 becomes FW70DT2R.

Specifications regarding heights and weights are nominal only. We reserve the right to make changes a necessary.

Barry Stoodley Pty Ltd



FIFTH WHEELS FW70 Cast Fifth Wheels On A Base Plate

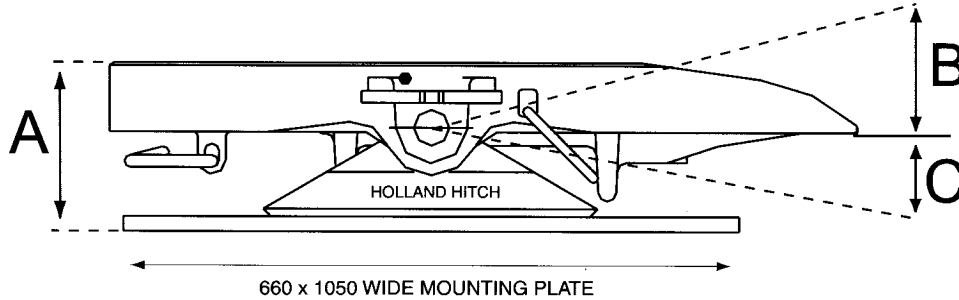
GO THE DISTANCE.

CAST STEEL Construction to suit 50 & 90mm Kingpin.

All Fifth Wheel package: Tested to AS4968 series under requirements of ADR 62/01

FW70 D rating: 50/D 240 (50mm) & 90/D 270 (90 mm).

As configurations can change, please refer to the respective assembly or part no. for the correct & applicable D rating.



FW70 50mm Top Plate

Part Number	Height (A)	Base Plate Thickness	Assembly Weight	Oscillation		D-Rating kN	CRN Number
				B	C		
FW70DL2	159 mm	16 mm	258 kg	8 deg	8 deg	50/240	16642
FW70DL3	163 mm	20 mm	284 kg	8 deg	8 deg	50/240	16647
FW70DT2	181 mm	16 mm	263 kg	10 deg	11 deg	50/240	16642
FW70DT3	185 mm	20 mm	290 kg	10 deg	11 deg	50/240	16647
FW70DF2	204 mm	16 mm	265 kg	16 deg	18 deg	50/240	16642
FW70DF3	208 mm	20 mm	292 kg	16 deg	18 deg	50/240	16647
FW70DA2	214 mm	16 mm	266 kg	20 deg	19 deg	50/240	16642
FW70DA3	218 mm	20 mm	293 kg	20 deg	19 deg	50/240	16647
FW70DX2	249 mm	16 mm	271 kg	26 deg	23 deg	50/240	16642
FW70DX3	253 mm	20 mm	298 kg	26 deg	23 deg	50/240	16647

FW70 90mm Top Plate

Part Number	Height (A)	Base Plate Thickness	Assembly Weight	Oscillation		D-Rating kN	CRN Number
				B	C		
FW70OL2	159 mm	16 mm	259 kg	8 deg	8 deg	90/270	36513
FW70OL3	163 mm	20 mm	285 kg	8 deg	8 deg	90/240	16660
FW70OT2	181 mm	16 mm	264 kg	10 deg	11 deg	90/270	36513
FW70OT3	185 mm	20 mm	291 kg	10 deg	11 deg	90/240	16660
FW70OF2	204 mm	16 mm	266 kg	16 deg	18 deg	90/270	36513
FW70OF3	208 mm	20 mm	293 kg	16 deg	18 deg	90/240	16660
FW70OA2	214 mm	16 mm	267 kg	20 deg	19 deg	90/270	36513
FW70OA3	218 mm	20 mm	294 kg	20 deg	19 deg	90/240	16660
FW70OX2	249 mm	16 mm	272 kg	26 deg	23 deg	90/270	36513
FW70OX3	253 mm	20 mm	299 kg	26 deg	23 deg	90/240	16660

Note: All FW70 Fifth Wheel assemblies are supplied in LH Release as standard.

RH Release is available, use the suffix "R" when ordering this option. ie: FW70DT2 becomes FW70DT2R.

Specifications regarding heights and weights are nominal only. We reserve the right to make changes a necessary.

Barry Stoodley Pty Ltd



FIFTH WHEELS

FW70 Cast Fifth Wheels On A Single Row Ballrace Assembly

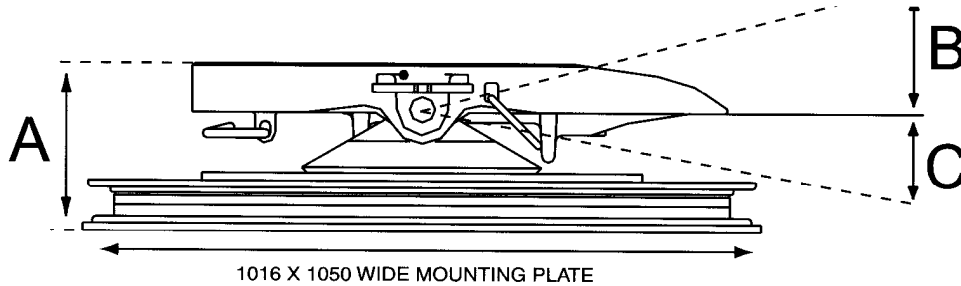
GO THE DISTANCE.

CAST STEEL Construction to suit 50 & 90mm Kingpin.

All Fifth Wheel package: Tested to AS4968 series under requirements of ADR 62/01

FW70 D rating: 50/D 240 (50mm) & 90/D 270 (90 mm).

As configurations can change, please refer to the respective assembly or part no. for the correct & applicable D rating.



FW70 50mm Top Plate

Part Number	Height (A)	Base Plate Thickness	Assembly Weight	Oscillation B	Oscillation C	D-Rating kN	CRN Number
FW70DLS4	231 mm	16 mm	362 kg	15 deg	12 deg	50/190	16645
FW70DLS5	235 mm	20 mm	388 kg	15 deg	12 deg	50/190	16645
FW70DTS4	253 mm	16 mm	363 kg	16 deg	13 deg	50/190	16645
FW70DTS5	257 mm	20 mm	389 kg	16 deg	13 deg	50/190	16645
FW70DAS4	286 mm	16 mm	366 kg	21 deg	16 deg	50/190	16645
FW70DAS5	290 mm	20 mm	392 kg	21 deg	16 deg	50/190	16645

FW70 90mm Top Plate

Part Number	Height (A)	Base Plate Thickness	Assembly Weight	Oscillation B	Oscillation C	D-Rating kN	CRN Number
FW70OLS4	231 mm	16 mm	363 kg	15 deg	12 deg	90/190	16664
FW70OLS5	235 mm	20 mm	389 kg	15 deg	12 deg	90/190	16664
FW70OTS4	253 mm	16 mm	364 kg	16 deg	13 deg	90/190	16664
FW70OTS5	257 mm	20 mm	390 kg	16 deg	13 deg	90/190	16664
FW70OAS4	286 mm	16 mm	367 kg	21 deg	16 deg	90/190	16664
FW70OAS5	290 mm	20 mm	393 kg	21 deg	16 deg	90/190	16664

Note: All FW70 Fifth Wheel assemblies are supplied in LH Release as standard.

RH Release is available, use the suffix "R" when ordering this option. ie: FW70DT2 becomes FW70DT2R.

Specifications regarding heights and weights are nominal only. We reserve the right to make changes a necessary.

Barry Stoodley Pty Ltd



FIFTH WHEELS

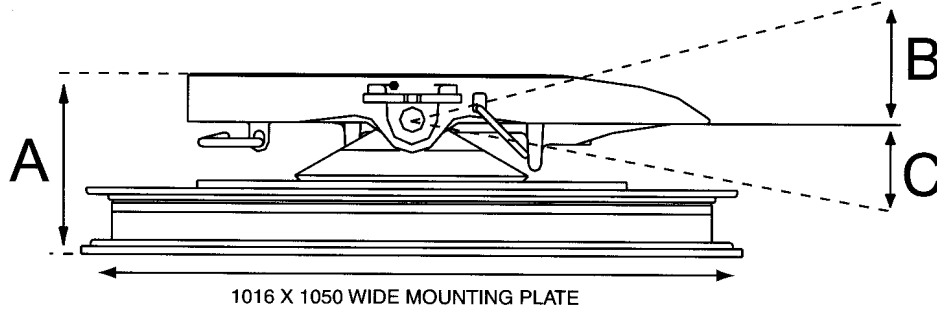
FW70 Cast Fifth Wheels On A Double Row Ballrace Assembly

CAST STEEL Construction to suit 50 & 90mm Kingpin.

All Fifth Wheel package: Tested to AS4968 series under requirements of ADR 62/01

FW70 D rating: 50/D 240 (50mm) & 90/D 270 (90 mm).

As configurations can change, please refer to the respective assembly or part no. for the correct & applicable D rating.



FW70 50mm Top Plate

Part Number	Height (A)	Base Plate Thickness	Assembly Weight	Oscillation		D-Rating kN	CRN Number
				B	C		
FW70DLD4	261 mm	16 mm	383 kg	15 deg	12 deg	50/240	16644
FW70DLD5	265 mm	20 mm	409 kg	15 deg	12 deg	50/240	16644
FW70DTD4	283 mm	16 mm	384 kg	16 deg	13 deg	50/240	16644
FW70DTD5	287 mm	20 mm	410 kg	16 deg	13 deg	50/240	16644
FW70DAD4	316 mm	16 mm	387 kg	21 deg	16 deg	50/240	16644
FW70DAD5	320 mm	20 mm	413 kg	21 deg	16 deg	50/240	16644

FW70 90mm Top Plate

Part Number	Height (A)	Base Plate Thickness	Assembly Weight	Oscillation		D-Rating kN	CRN Number
				B	C		
FW70OLD4	261 mm	16 mm	384 kg	15 deg	12 deg	90/270	16661
FW70OLD5	265 mm	20 mm	410 kg	15 deg	12 deg	90/270	16661
FW70OTD4	283 mm	16 mm	385 kg	16 deg	13 deg	90/270	16661
FW70OTD5	287 mm	20 mm	411 kg	16 deg	13 deg	90/270	16661
FW70OAD4	316 mm	16 mm	388 kg	21 deg	16 deg	90/270	16661
FW70OAD5	320 mm	20 mm	412 kg	21 deg	16 deg	90/270	16661

Note: All FW70 Fifth Wheel assemblies are supplied in LH Release as standard.

RH Release is available, use the suffix "R" when ordering this option. ie: FW70DT2 becomes FW70DT2R.

Specifications regarding heights and weights are nominal only. We reserve the right to make changes a necessary.

Barry Stoodley Pty Ltd



FIFTH WHEELS

FW70 Cast Fifth Wheels On A Kompensator

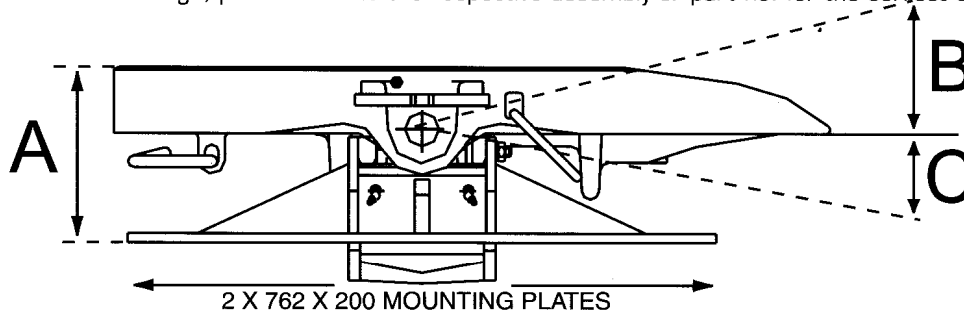
GO THE DISTANCE.

CAST STEEL Construction to suit 50 & 90mm Kingpin.

All Fifth Wheel package: Tested to AS4968 series under requirements of ADR 62/01

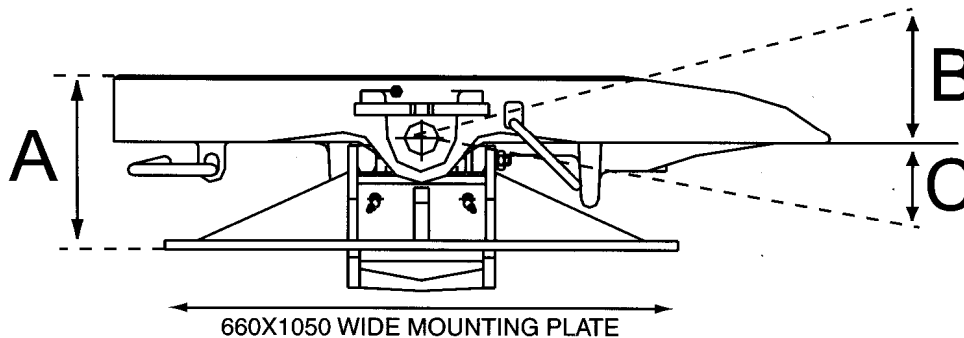
FW70 D rating: 50/D 240 (50mm) & 90/D 270 (90 mm).

As configurations can change, please refer to the respective assembly or part no. for the correct & applicable D rating.



Part Number	Height (A)	Base Plate Thickness	Assembly Weight	Oscillation		D-Rating kN	CRN Number
				B	C		
FW70DK	240 mm	12 mm	284 kg	19 deg	16 deg	50/163	16648
FW70OK	240 mm	12 mm	285 kg	19 deg	16 deg	90/163	16667

FW70 Cast Fifth Wheels On A Kompensator Full Plate



Part Number	Height (A)	Base Plate Thickness	Assembly Weight	Oscillation		D-Rating kN	CRN Number
				B	C		
FW70DKP	240 mm	12 mm	305 kg	19 deg	16 deg	50/163	16795
FW70DKP6	244 mm	16 mm	325 kg	19 deg	16 deg	50/163	16795
FW70DKP7	248 mm	20 mm	342 kg	19 deg	16 deg	50/163	16795
FW70OKP	240 mm	12 mm	306 kg	19 deg	16 deg	90/163	16796
FW70OKP6	244 mm	16 mm	326 kg	19 deg	16 deg	90/163	16796
FW70OKP7	248 mm	20 mm	343 kg	19 deg	16 deg	90/163	16796

Note: Kompensator Allows 5 degree of oscillation either side of vertical centre line. Centre of gravity not to exceed 1120mm above Fifth Wheel Top Plate Surface.

All FW70 Fifth Wheel assemblies are supplied in LH Release as standard.

RH Release is available, use the suffix "R" when ordering this option. ie: FW70DT2 becomes FW70DT2R.

Specifications regarding heights and weights are nominal only. We reserve the right to make changes as necessary.

Barry Stoodley Pty Ltd



FIFTH WHEELS

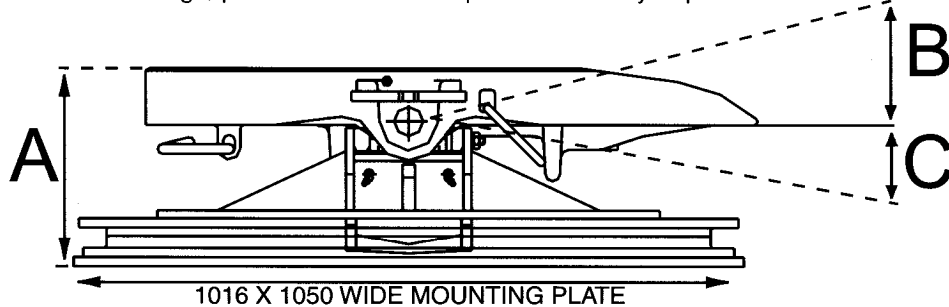
FW70 Cast Fifth Wheels On A Single Row Ballrace/ Kompensator

CAST STEEL Construction to suit 50 & 90mm Kingpin.

All Fifth Wheel package: Tested to AS4968 series under requirements of ADR 62/01

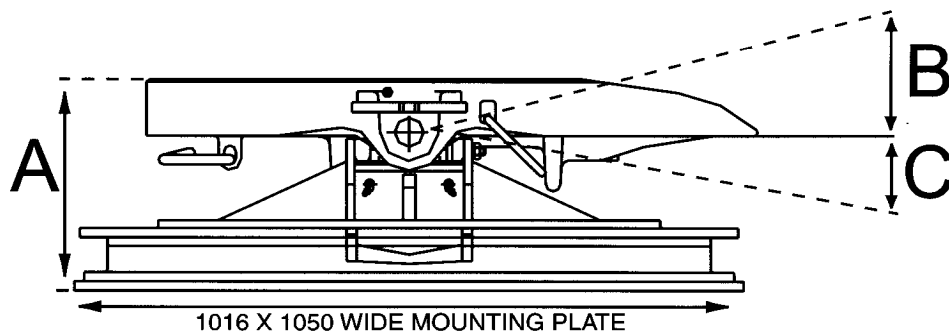
FW70 D rating: 50/D 240 (50mm) & 90/D 270 (90 mm).

As configurations can change, please refer to the respective assembly or part no. for the correct & applicable D rating.



Part Number	Height (A)	Base Plate Thickness	Assembly Weight	Oscillation		D-Rating kN	CRN Number
				B	C		
FW70DKS4	291 mm	16 mm	441 kg	19 deg	16 deg	50/163	16649
FW70DKS5	295 mm	20 mm	467 kg	19 deg	16 deg	50/163	16649
FW70OKS4	291 mm	16 mm	442 kg	19 deg	16 deg	90/163	16663
FW70OKS5	295 mm	20 mm	468 kg	19 deg	16 deg	90/163	16663

FW70 Cast Fifth Wheels On A Double Row Ballrace/Kompensator



Part Number	Height (A)	Base Plate Thickness	Assembly Weight	Oscillation		D-Rating kN	CRN Number
				B	C		
FW70DKD4	321 mm	16 mm	461 kg	19 deg	16 deg	50/163	16646
FW70DKD5	325 mm	20 mm	486 kg	19 deg	16 deg	50/163	16646
FW70OKD4	321 mm	16 mm	462 kg	19 deg	16 deg	90/163	16662
FW70OKD5	325 mm	20 mm	487 kg	19 deg	16 deg	90/163	16662

Note: Kompensator Allows 5 degree of oscillation either side of vertical centre line. Centre of gravity not to exceed 1120mm above Fifth Wheel Top Plate Surface.

All FW70 Fifth Wheel assemblies are supplied in LH Release as standard.

RH Release is available, use the suffix "R" when ordering this option. ie: FW70DT2 becomes FW70DT2R.

Specifications regarding heights and weights are nominal only. We reserve the right to make changes as necessary.

Barry Stoodley Pty Ltd



FIFTH WHEELS

FW70 Cast Fifth Wheel Slider Options

GO THE DISTANCE.

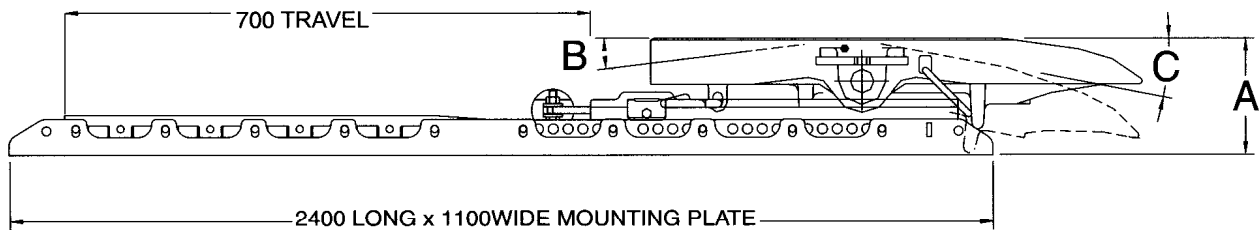
CAST STEEL Construction to suit 50 & 90mm Kingpin.

All Fifth Wheel package: Tested to AS4968 series under requirements of ADR 62/D1

FW70 D rating: 50/D 240 (50mm) & 90/D 270 (90 mm).

As configurations can change, please refer to the respective assembly or part no. for the correct & applicable D rating.

Heavy Duty Air Slider Fixed



FW70 50mm Top Plate

Part Number	Height (A)	Assembly Weight	Oscillation		Travel Length	D-Rating kN	CRN Number
			B	C			
FWS70DL	183 mm	442 kg	8 deg	8 deg	700 mm	50/240	TBA
FWS70DT	205 mm	447 kg	10 deg	11 deg	700 mm	50/240	TBA
FWS70DF	228 mm	449 kg	18 deg	16 deg	700 mm	50/240	TBA
FWS70DA	238 mm	450 kg	20 deg	18 deg	700 mm	50/240	TBA
FWS70DX	272 mm	455 kg	26 deg	24 deg	700 mm	50/240	TBA

FW70 90mm Top Plate

Part Number	Height (A)	Assembly Weight	Oscillation		Travel Length	D-Rating kN	CRN Number
			B	C			
FWS70OL	183 mm	443 kg	8 deg	8 deg	700 mm	90/270	TBA
FWS70OT	205 mm	448 kg	10 deg	11 deg	700 mm	90/270	TBA
FWS70OF	228 mm	450 kg	18 deg	16 deg	700 mm	90/270	TBA
FWS70OA	238 mm	451 kg	20 deg	18 deg	700 mm	90/270	TBA
FWS70OX	272 mm	456 kg	26 deg	24 deg	700 mm	90/270	TBA

Note: All FW70 Fifth Wheel assemblies are supplied in LH Release as standard.

RH Release is available, use the suffix "R" when ordering this option. ie: FW70DT2 becomes FW70DT2R.

Specifications regarding heights and weights are nominal only. We reserve the right to make changes a necessary.

Barry Stoodley Pty Ltd



FIFTH WHEELS

FW70 Cast Fifth Wheel Slider Options cont...

GO THE DISTANCE.

CAST STEEL Construction to suit 50 & 90mm Kingpin.

All Fifth Wheel package: Tested to AS4968 series under requirements of ADR 62/01

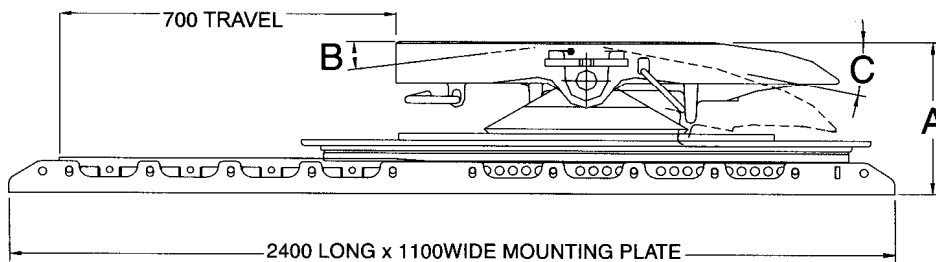
FW70 D rating: 50/D 240 (50mm) & 90/D 270 (90 mm).

SR 60/1000 Rating D/190

DR 90/1000 Rating D/270

As configurations can change, please refer to the respective assembly or part no. for the correct & applicable D rating.

Heavy Duty Air Slider Ballrace



FW70 50mm Top Plate

Part Number	Height (A)	Assembly Weight	Oscillation		Travel Length	D-Rating kN	CRN Number
			B	C			
FWS70DLS	255 mm	608 kg	15 deg	12 deg	700 mm	50/190	TBA
FWS70DTS	277 mm	609 kg	16 deg	13 deg	700 mm	50/190	TBA
FWS70DLD	285 mm	629 kg	15 deg	12 deg	700 mm	50/240	TBA
FWS70DTD	307 mm	630 kg	16 deg	13 deg	700 mm	50/240	TBA

FW70 90mm Top Plate

Part Number	Height (A)	Assembly Weight	Oscillation		Travel Length	D-Rating kN	CRN Number
			B	C			
FWS70OLS	255 mm	609 kg	15 deg	12 deg	700 mm	90/190	TBA
FWS70OTS	277 mm	610 kg	16 deg	13 deg	700 mm	90/190	TBA
FWS70OLD	285 mm	630 kg	15 deg	12 deg	700 mm	90/270	TBA
FWS70OTD	307 mm	631 kg	16 deg	13 deg	700 mm	90/270	TBA

Note: All FW70 Fifth Wheel assemblies are supplied in LH Release as standard.

RH Release is available, use the suffix "R" when ordering this option. ie: FW70DT2 becomes FW70DT2R.

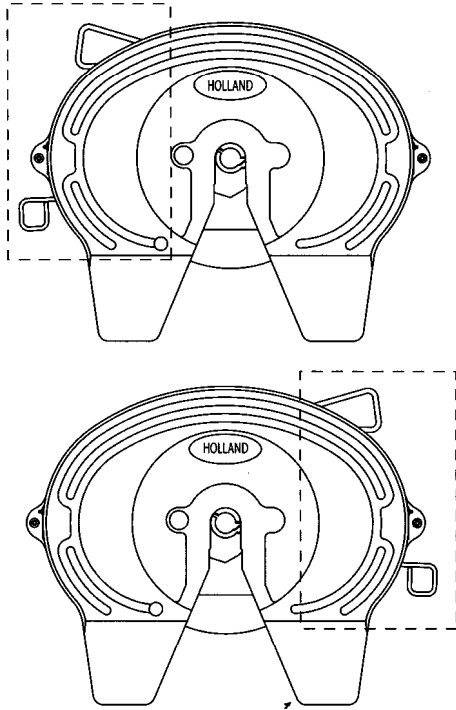
Specifications regarding heights and weights are nominal only. We reserve the right to make changes a necessary.

Barry Stoodley Pty Ltd



FIFTH WHEELS

FW70 Handle Option



RH Release Handle

When ordering a "RH Release handle option, add suffix "R" to the fifth wheel part number. eg: FW70DTR.

This attracts the same CRN and number as the standard LH Release models.

Note: All FW70 Fifth Wheel assemblies are supplied in LH Release as standard.
RH Release is available, use the suffix "R" when ordering this option. ie: FW70DT2 becomes FW70DT2R.
Specifications regarding heights and weights are nominal only. We reserve the right to make changes a necessary.