

Barry Stoodley Pty Ltd



FIFTH WHEELS FW72 Lo-Lube Cast Fifth Wheels

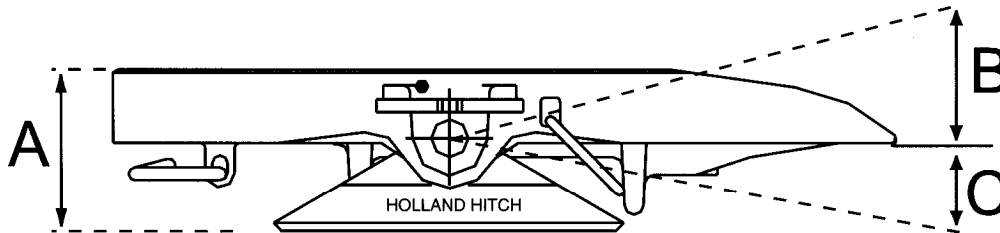
GO THE DISTANCE.

CAST STEEL Construction to suit 50 & 90mm Kingpin.

All Fifth Wheel package: Tested to AS4968 series under requirements of ADR 62/01

FW72 Lo-Lube D rating: 50/D 240 (50mm) & 90/D 270 (90 mm).

As configurations can change, please refer to the respective assembly or part no. for the correct & applicable D rating.



FW72 Lo-Lube 50mm Top Plate

Part Number	Height (A)	Assembly Weight	Oscillation		D-Rating kN	CRN Number
			B	C		
*FW72D	N/A	145 kg	Top Only		N/A	N/A
FW72DT	168 mm	164 kg	10 deg	N/A	50/240	16755
FW72DF	191 mm	166 kg	18 deg	16 deg	50/240	16755
FW72DA	201 mm	167 kg	20 deg	18 deg	50/240	16755
FW72DX	235 mm	171 kg	26 deg	24 deg	50/240	16755

FW72 Lo-Lube 90mm Top Plate

Part Number	Height (A)	Assembly Weight	Oscillation		D-Rating kN	CRN Number
			B	C		
*FW72O	N/A	146 kg	Top Only		N/A	N/A
FW72OT	168 mm	165 kg	10 deg	N/A	90/270	16756
FW72OF	191 mm	167 kg	18 deg	16 deg	90/270	16756
FW72OA	201 mm	168 kg	20 deg	18 deg	90/270	16756
FW72OX	235 mm	172 kg	26 deg	24 deg	90/270	16756

* Top plate only c/w foot pins and fixings

Note: All FW72 Fifth Wheel assemblies are supplied in LH Release as standard.

RH Release is available, use the suffix "R" when ordering this option. ie: FW72DT2 becomes FW72DT2R.

Specifications regarding heights and weights are nominal only. We reserve the right to make changes a necessary.

Barry Stoodley Pty Ltd



FIFTH WHEELS

FW72 Lo-Lube Cast Fifth Wheels On A Base Plate

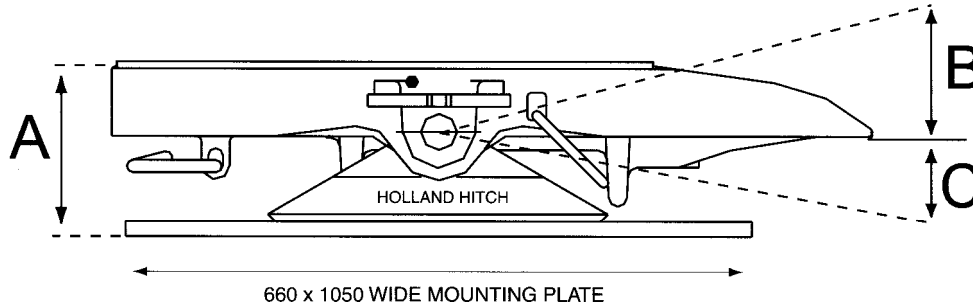
GO THE DISTANCE.

CAST STEEL Construction to suit 50 & 90mm Kingpin.

All Fifth Wheel package: Tested to AS4968 series under requirements of ADR 62/01

FW72 Lo-Lube D rating: 50/D 2400 (50mm) & 90/D 270 (90 mm).

As configurations can change, please refer to the respective assembly or part no. for the correct & applicable D rating.



FW72 Lo-Lube 50mm Top Plate

Part Number	Height (A)	Base Plate Thickness	Assembly Weight	Oscillation B	Oscillation C	D-Rating kN	CRN Number
FW72DL2	162 mm	16 mm	250 kg	8 deg	8 deg	50/240	16642
FW72DL3	166 mm	20 mm	276 kg	8 deg	8 deg	50/240	16647
FW72DT2	184 mm	16 mm	255 kg	10 deg	11 deg	50/240	16642
FW72DT3	188 mm	20 mm	282 kg	10 deg	11 deg	50/240	16647
FW72DF2	207 mm	16 mm	257 kg	16 deg	18 deg	50/240	16642
FW72DF3	211 mm	20 mm	284 kg	16 deg	18 deg	50/240	16647
FW72DA2	217 mm	16 mm	258 kg	20 deg	19 deg	50/240	16642
FW72DA3	221 mm	20 mm	285 kg	20 deg	19 deg	50/240	16647
FW72DX2	252 mm	16 mm	263 kg	26 deg	23 deg	50/240	16642
FW72DX3	256 mm	20 mm	290 kg	26 deg	23 deg	50/240	16647

FW72 Lo-Lube 90mm Top Plate

Part Number	Height (A)	Base Plate Thickness	Assembly Weight	Oscillation B	Oscillation C	D-Rating kN	CRN Number
FW72OL2	162 mm	16 mm	251 kg	8 deg	8 deg	90/270	16653
FW72OL3	166 mm	20 mm	277 kg	8 deg	8 deg	90/270	16660
FW72OT2	184 mm	16 mm	256 kg	10 deg	11 deg	90/270	16653
FW72OT3	188 mm	20 mm	283 kg	10 deg	11 deg	90/270	16660
FW72OF2	207 mm	16 mm	258 kg	16 deg	18 deg	90/270	16653
FW72OF3	211 mm	20 mm	285 kg	16 deg	18 deg	90/270	16660
FW72OA2	217 mm	16 mm	259 kg	20 deg	19 deg	90/270	16653
FW72OA3	221 mm	20 mm	286 kg	20 deg	19 deg	90/270	16660
FW72OX2	252 mm	16 mm	264 kg	26 deg	23 deg	90/270	16653
FW72OX3	256 mm	20 mm	291 kg	26 deg	23 deg	90/270	16660

Note: All FW72 Fifth Wheel assemblies are supplied in LH Release as standard.

RH Release is available, use the suffix "R" when ordering this option. ie: FW72DT2 becomes FW72DT2R.

Specifications regarding heights and weights are nominal only. We reserve the right to make changes a necessary.

Barry Stoodley Pty Ltd



FIFTH WHEELS

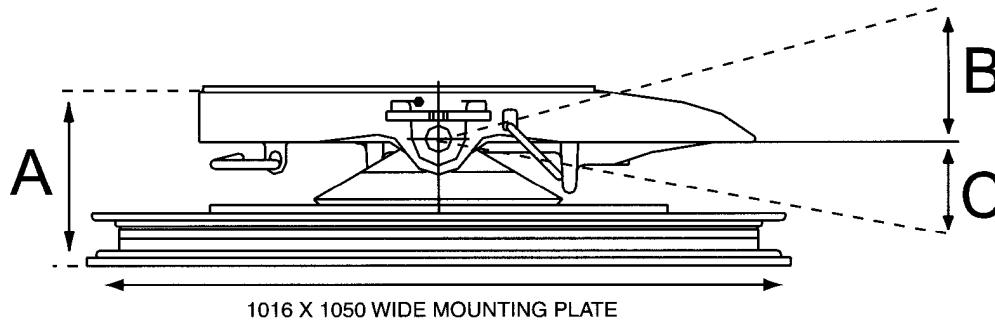
FW72 Lo-Lube Cast Fifth Wheels On A Single Row Ballrace Assembly

CAST STEEL Construction to suit 50 & 90mm Kingpin.

All Fifth Wheel package: Tested to AS4968 series under requirements of ADR 62/01

FW72 Lo-Lube D rating: 50/D 240 (50mm) & 90/D 270 (90 mm).

As configurations can change, please refer to the respective assembly or part no. for the correct & applicable D rating.



FW72 Lo-Lube 50mm Top Plate

Part Number	Height (A)	Base Plate Thickness	Assembly Weight	Oscillation		D-Rating kN	CRN Number
				B	C		
FW72DLS4	234 mm	16 mm	354 kg	15 deg	12 deg	50/190	16645
FW72DLS5	238 mm	20 mm	380 kg	15 deg	12 deg	50/190	16645
FW72DTS4	256 mm	16 mm	355 kg	16 deg	13 deg	50/190	16645
FW72DTS5	260 mm	20 mm	381 kg	16 deg	13 deg	50/190	16645
FW72DAS4	289 mm	16 mm	358 kg	21 deg	16 deg	50/190	16645
FW72DAS5	293 mm	20 mm	384 kg	21 deg	16 deg	50/190	16645

FW72 Lo-Lube 90mm Top Plate

Part Number	Height (A)	Base Plate Thickness	Assembly Weight	Oscillation		D-Rating kN	CRN Number
				B	C		
FW72OLS4	234 mm	16 mm	355 kg	15 deg	12 deg	90/190	16664
FW72OLS5	238 mm	20 mm	381 kg	15 deg	12 deg	90/190	16664
FW72OTS4	256 mm	16 mm	356 kg	16 deg	13 deg	90/190	16664
FW72OTS5	260 mm	20 mm	382 kg	16 deg	13 deg	90/190	16664
FW72OAS4	289 mm	16 mm	359 kg	21 deg	16 deg	90/190	16664
FW72OAS5	293 mm	20 mm	385 kg	21 deg	16 deg	90/190	16664

Note: All FW72 Fifth Wheel assemblies are supplied in LH Release as standard.

RH Release is available, use the suffix "R" when ordering this option. ie: FW72DT2 becomes FW72DT2R.

Specifications regarding heights and weights are nominal only. We reserve the right to make changes a necessary.

Barry Stoodley Pty Ltd



FIFTH WHEELS

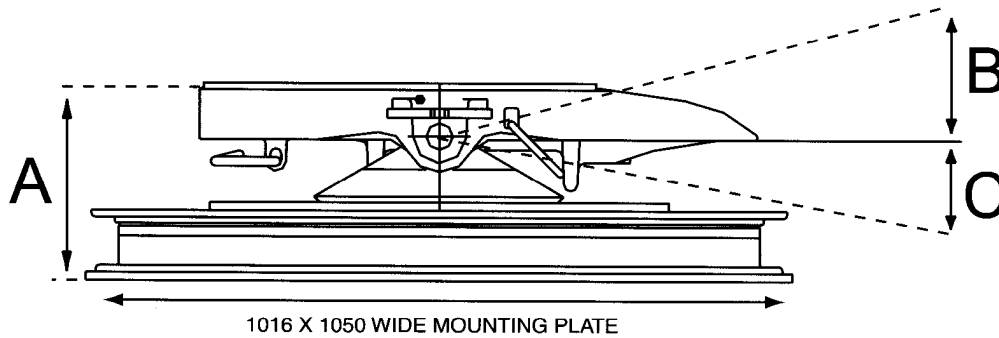
FW72 Lo-Lube Cast Fifth Wheels On A Double Row Ballrace Assembly

CAST STEEL Construction to suit 50 & 90mm Kingpin.

All Fifth Wheel package: Tested to AS4968 series under requirements of ADR 62/01

FW72 Lo-Lube D rating: 50/D 240 (50mm) & 90/D 270 (90 mm).

As configurations can change, please refer to the respective assembly or part no. for the correct & applicable D rating.



FW72 Lo-Lube 50mm Top Plate

Part Number	Height (A)	Base Plate Thickness	Assembly Weight	Oscillation		D-Rating kN	CRN Number
				B	C		
FW72DLD4	264 mm	16 mm	375 kg	15 deg	12 deg	50/240	16644
FW72DLD5	268 mm	20 mm	401 kg	15 deg	12 deg	50/240	16644
FW72DTD4	286 mm	16 mm	376 kg	16 deg	13 deg	50/240	16644
FW72DTD5	290 mm	20 mm	402 kg	16 deg	13 deg	50/240	16644
FW72DAD4	319 mm	16 mm	379 kg	21 deg	16 deg	50/240	16644
FW72DAD5	323 mm	20 mm	405 kg	21 deg	16 deg	50/240	16644

FW72 Lo-Lube 90mm Top Plate

Part Number	Height (A)	Base Plate Thickness	Assembly Weight	Oscillation		D-Rating kN	CRN Number
				B	C		
FW72OLD4	264 mm	16 mm	376 kg	15 deg	12 deg	90/270	16661
FW72OLD5	268 mm	20 mm	402 kg	15 deg	12 deg	90/270	16661
FW72OTD4	286 mm	16 mm	377 kg	16 deg	13 deg	90/270	16661
FW72OTD5	290 mm	20 mm	403 kg	16 deg	13 deg	90/270	16661
FW72OAD4	319 mm	16 mm	380 kg	21 deg	16 deg	90/270	16661
FW72OAD5	323 mm	20 mm	406 kg	21 deg	16 deg	90/270	16661

Note: All FW72 Fifth Wheel assemblies are supplied in LH Release as standard.

RH Release is available, use the suffix "R" when ordering this option. ie: FW72DT2 becomes FW72DT2R.

Specifications regarding heights and weights are nominal only. We reserve the right to make changes a necessary.

Barry Stoodley Pty Ltd



FIFTH WHEELS

FW72 Lo-Lube Cast Fifth Wheels On A Kompensator

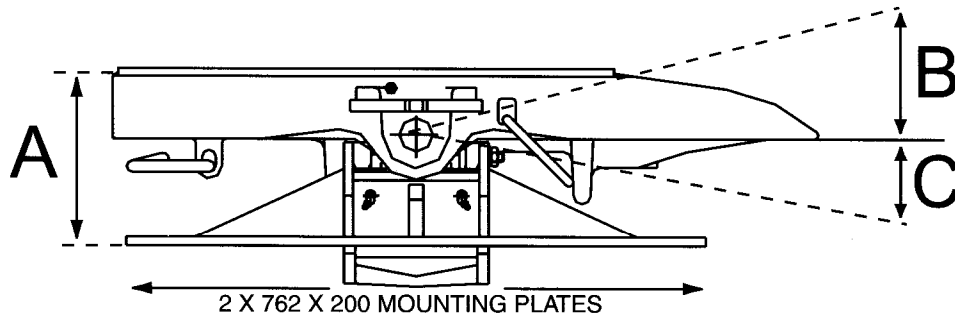
GO THE DISTANCE.

CAST STEEL Construction to suit 50 & 90mm Kingpin.

All Fifth Wheel package: Tested to AS4968 series under requirements of ADR 62/01

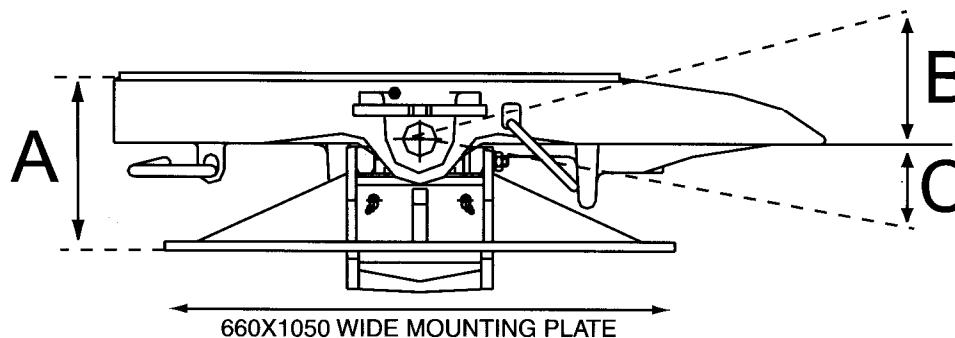
FW72 Lo-Lube D rating: 50/D 240 (50mm) & 90/D 270 (90 mm).

As configurations can change, please refer to the respective assembly or part no. for the correct & applicable D rating.



Part Number	Height (A)	Base Plate Thickness	Assembly Weight	Oscillation		D-Rating kN	CRN Number
				B	C		
FW72DK	243 mm	12 mm	276 kg	19 deg	16 deg	50/163	16648
FW72OK	243 mm	12 mm	277 kg	19 deg	16 deg	90/163	16667

FW72 Lo-Lube Cast Fifth Wheels On A Kompensator Full Plate



Part Number	Height (A)	Base Plate Thickness	Assembly Weight	Oscillation		D-Rating kN	CRN Number
				B	C		
FW72DKP	243 mm	12 mm	297 kg	19 deg	16 deg	50/163	16795
FW72DKP6	247 mm	16 mm	317 kg	19 deg	16 deg	50/163	16795
FW72DKP7	251 mm	20 mm	334 kg	19 deg	16 deg	50/163	16795
FW72OKP	243 mm	12 mm	298 kg	19 deg	16 deg	90/163	16796
FW72OKP6	247 mm	16 mm	318 kg	19 deg	16 deg	90/163	16796
FW72OKP7	251 mm	20 mm	335 kg	19 deg	16 deg	90/163	16796

Note: Kompensator Allows 5 degree of oscillation either side of vertical centre line. Centre of gravity not to exceed 1120mm above Fifth Wheel Top Plate Surface.

All FW72 Fifth Wheel assemblies are supplied in LH Release as standard.

RH Release is available, use the suffix "R" when ordering this option. ie: FW72DT2 becomes FW72DT2R.

Specifications regarding heights and weights are nominal only. We reserve the right to make changes as necessary.

Barry Stoodley Pty Ltd



FIFTH WHEELS

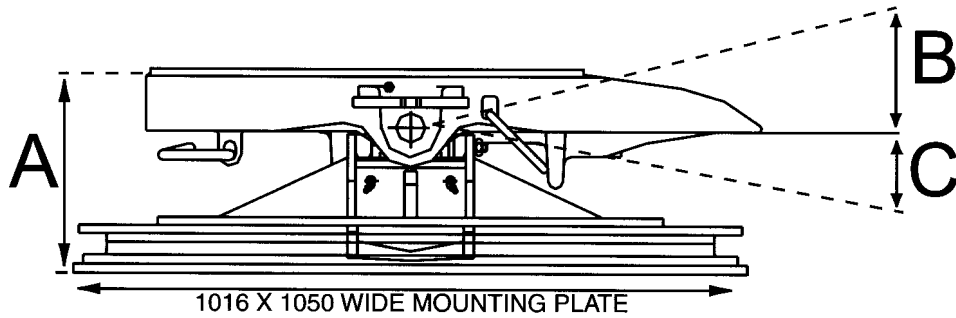
FW72 Lo-Lube Cast Fifth Wheels On A Single Row Ballrace/ Kompensator

CAST STEEL Construction to suit 50 & 90mm Kingpin.

All Fifth Wheel package: Tested to AS4968 series under requirements of ADR 62/01

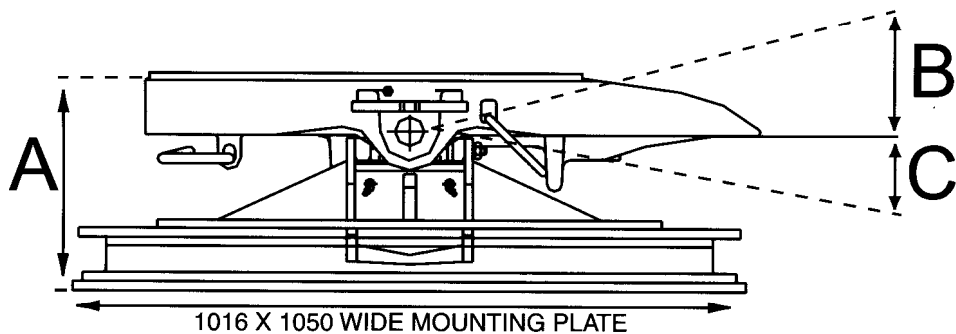
FW72 Lo-Lube D rating: 50/D 240 (50mm) & 90/D 270 (90 mm).

As configurations can change, please refer to the respective assembly or part no. for the correct & applicable D rating.



Part Number	Height (A)	Base Plate Thickness	Assembly Weight	Oscillation		D-Rating kN	CRN Number
				B	C		
FW72DKS4	294 mm	16 mm	433 kg	19 deg	16 deg	50/163	16649
FW72DKS5	298 mm	20 mm	459 kg	19 deg	16 deg	50/163	16649
FW72OKS4	294 mm	16 mm	434 kg	19 deg	16 deg	90/163	16663
FW72OKS5	298 mm	20 mm	460 kg	19 deg	16 deg	90/163	16663

FW72 Lo-Lube Cast Fifth Wheels On A Double Row Ballrace/Kompensator



Part Number	Height (A)	Base Plate Thickness	Assembly Weight	Oscillation		D-Rating kN	CRN Number
				B	C		
FW72DKD4	324 mm	16 mm	453 kg	19 deg	16 deg	50/163	16646
FW72DKD5	328 mm	20 mm	478 kg	19 deg	16 deg	50/163	16646
FW72OKD4	324 mm	16 mm	454 kg	19 deg	16 deg	90/163	16662
FW72OKD5	328 mm	20 mm	479 kg	19 deg	16 deg	90/163	16662

Note: Kompensator Allows 5 degree of oscillation either side of vertical centre line. Centre of gravity not to exceed 1120mm above Fifth Wheel Top Plate Surface.

All FW72 Fifth Wheel assemblies are supplied in LH Release as standard.

RH Release is available, use the suffix "R" when ordering this option. ie: FW72DT2 becomes FW72DT2R.

Specifications regarding heights and weights are nominal only. We reserve the right to make changes as necessary.

Barry Stoodley Pty Ltd



FIFTH WHEELS

FW72 Lo-Lube Cast Fifth Wheel Slider Options

GO THE DISTANCE.

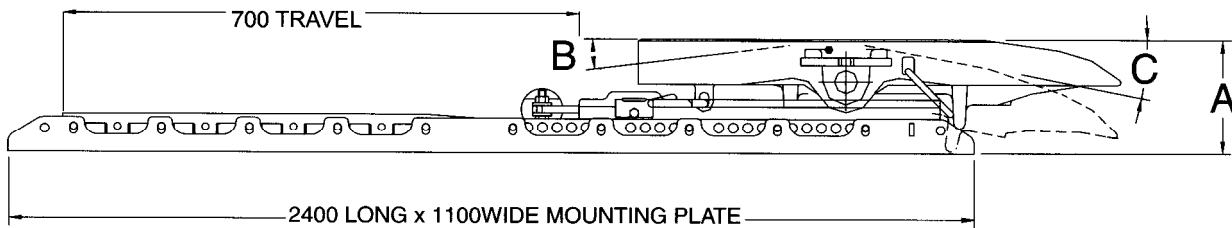
CAST STEEL Construction to suit 50 & 90mm Kingpin.

All Fifth Wheel package: Tested to AS4968 series under requirements of ADR 62/01

FW72 Lo-Lube D rating: 50/D 240 (50mm) & 90/D 270 (90 mm).

As configurations can change, please refer to the respective assembly or part no. for the correct & applicable D rating.

Heavy Duty Air Slider Fixed



FW72 Lo-Lube 50mm Top Plate

Part Number	Height (A)	Assembly Weight	Oscillation		Travel Length	D-Rating kN	CRN Number
			B	C			
FWS72DL	186 mm	434 kg	8 deg	8 deg	700 mm	50/240	TBA
FWS72DT	208 mm	439 kg	10 deg	11 deg	700 mm	50/240	TBA
FWS72DF	231 mm	441 kg	18 deg	16 deg	700 mm	50/240	TBA
FWS72DA	241 mm	442 kg	20 deg	18 deg	700 mm	50/240	TBA
FWS72DX	275 mm	447 kg	26 deg	24 deg	700 mm	50/240	TBA

FW72 Lo-Lube 90mm Top Plate

Part Number	Height (A)	Assembly Weight	Oscillation		Travel Length	D-Rating kN	CRN Number
			B	C			
FWS72OL	186 mm	435 kg	8 deg	8 deg	700 mm	90/270	TBA
FWS72OT	208 mm	440 kg	10 deg	11 deg	700 mm	90/270	TBA
FWS72OF	231 mm	442 kg	18 deg	16 deg	700 mm	90/270	TBA
FWS72OA	241 mm	443 kg	20 deg	18 deg	700 mm	90/270	TBA
FWS72OX	275 mm	448 kg	26 deg	24 deg	700 mm	90/270	TBA

Note: All FW72 Fifth Wheel assemblies are supplied in LH Release as standard.

RH Release is available, use the suffix "R" when ordering this option. ie: FW72DT2 becomes FW72DT2R.

Specifications regarding heights and weights are nominal only. We reserve the right to make changes a necessary.

Barry Stoodley Pty Ltd



FIFTH WHEELS

FW72 Lo-Lube Cast Fifth Wheel Slider Options cont...

GO THE DISTANCE.

CAST STEEL Construction to suit 50 & 90mm Kingpin.

All Fifth Wheel package: Tested to AS4968 series under requirements of ADR 62/01

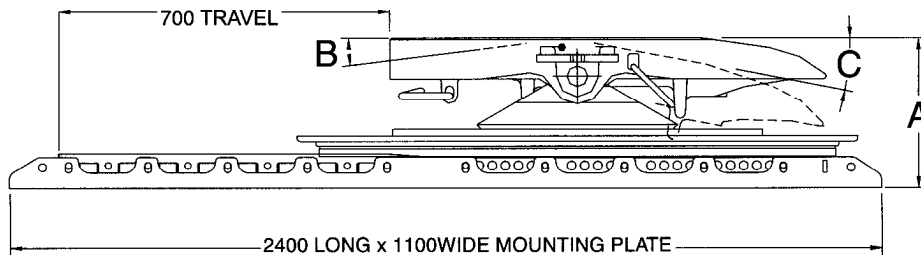
FW72 Lo-Lube D rating: 50/D 240 (50mm) & 90/D 270 (90 mm).

SR 60/1000 Rating D/190

DR 90/1000 Rating D/270

As configurations can change, please refer to the respective assembly or part no. for the correct & applicable D rating.

Heavy Duty Air Slider Ballrace



FW72 Lo-Lube 50mm Top Plate

Part Number	Height (A)	Assembly Weight	Oscillation		Travel Length	D-Rating kN	CRN Number
			B	C			
FWS72DLS	255 mm	600 kg	15 deg	12 deg	700 mm	50/190	TBA
FWS72DTS	277 mm	601 kg	16 deg	13 deg	700 mm	50/190	TBA
FWS72DLD	285 mm	621 kg	15 deg	12 deg	700 mm	50/240	TBA
FWS72DTD	307 mm	622 kg	16 deg	13 deg	700 mm	50/240	TBA

FW72 Lo-Lube 90mm Top Plate

Part Number	Height (A)	Assembly Weight	Oscillation		Travel Length	D-Rating kN	CRN Number
			B	C			
FWS72OLS	255 mm	601 kg	15 deg	12 deg	700 mm	90/190	TBA
FWS72OTS	277 mm	602 kg	16 deg	13 deg	700 mm	90/190	TBA
FWS72OLD	285 mm	622 kg	15 deg	12 deg	700 mm	90/270	TBA
FWS72OTD	307 mm	623 kg	16 deg	13 deg	700 mm	90/270	TBA

Note: All FW72 Fifth Wheel assemblies are supplied in LH Release as standard.

RH Release is available, use the suffix "R" when ordering this option. ie: FW72DT2 becomes FW72DT2R.

Specifications regarding heights and weights are nominal only. We reserve the right to make changes a necessary.

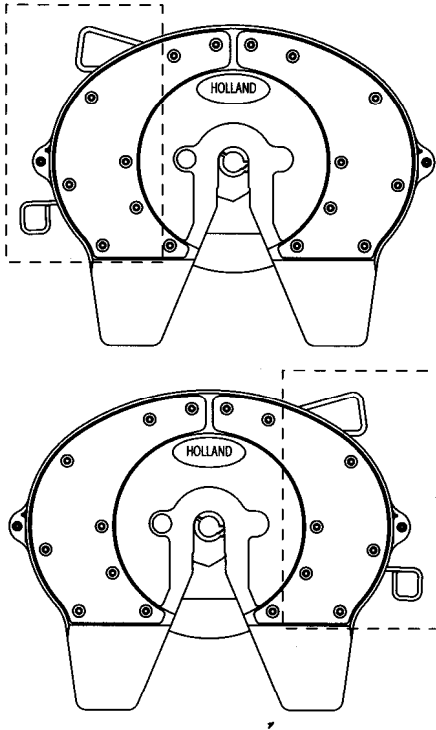
Barry Stoodley Pty Ltd



GO THE DISTANCE.

FIFTH WHEELS

FW72 Lo-Lube Handle Option



RH Release Handle

When ordering a "RH Release handle option, add suffix "R" to the fifth wheel part number. eg: FW72DTR.

This attracts the same CRN and number as the standard LH Release models.

Note: All FW72 Fifth Wheel assemblies are supplied in LH Release as standard. RH Release is available, use the suffix "R" when ordering this option. ie: FW72DT2 becomes FW72DT2R.

Specifications regarding heights and weights are nominal only. We reserve the right to make changes a necessary.