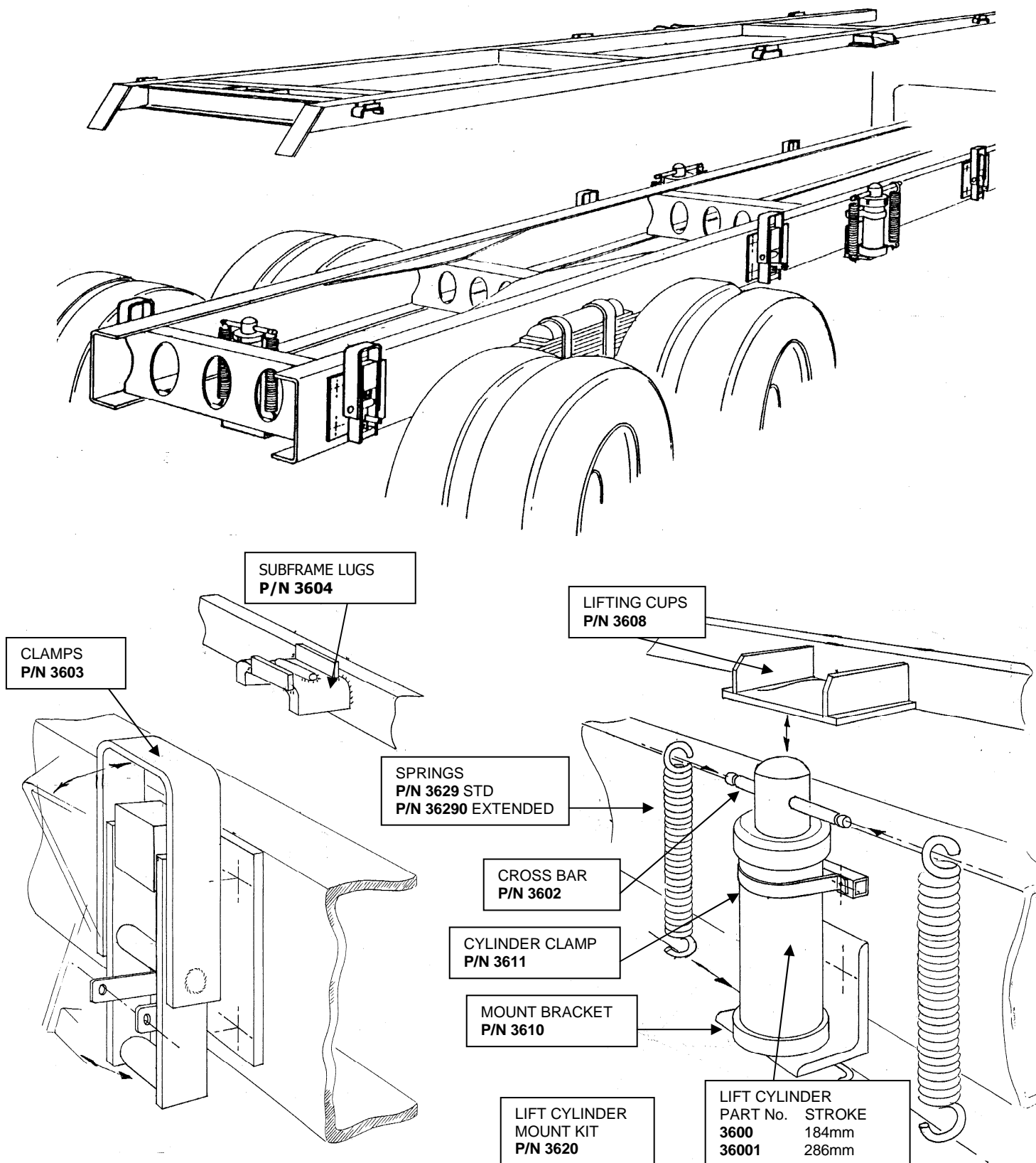


Barry Stoodley Pty Ltd

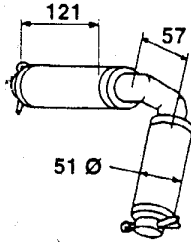
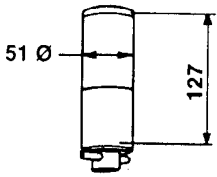
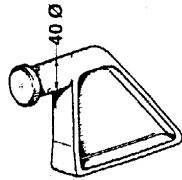
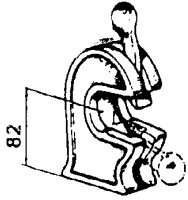
INTERCHANGE SYSTEM



Barry Stoodley Pty Ltd

TRUCK & TRAILER COMPONENTS

TWISTLOCKS



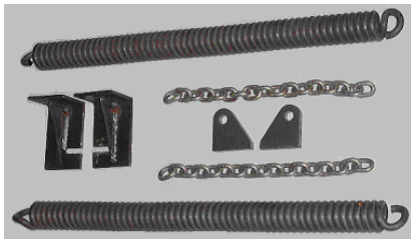
SIDE SWING TAIL GATE HINGE ASSEMBLY
PART No.

- 8112-13501 BENT BAR & BUSHES
- 8112-13502 HINGE PIN & BUSHES
- ART2080 FEMALE LATCH
- ART2081 LOCKING PIN

8112-50035 SIDE SWING TAIL GATE KIT



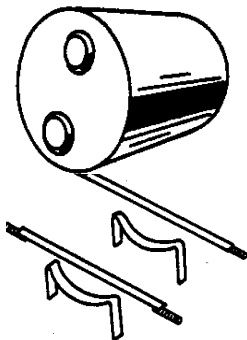
BODY LOCK
PART No.
BS127A ALUMINIUM STOPPER
BS127R RUBBER BUFFER



DRAWBAR SPRING KIT
PART No.
3070000060 SPRING KIT
3070000061 SPRINGS

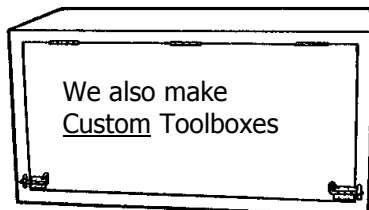
WATER TANKS
PART No.

- 7703AL ALUMINIUM 13ga WITH OR WITHOUT LOGO
- 7703P PLASTIC 60LTR
- 7704 BRACKET KIT

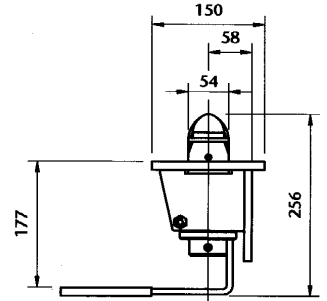
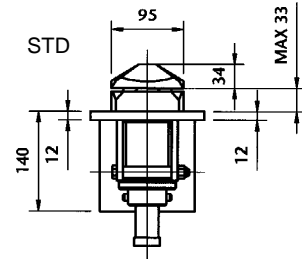


TOOLBOXES - STEEL
PART No.

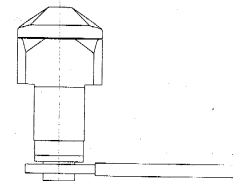
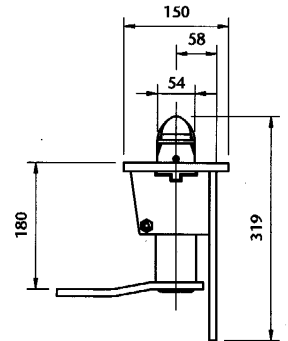
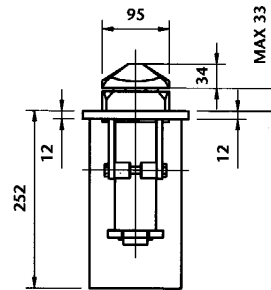
- 1200X500X530P 4FT PADBOLT
- 1200X450X450P 4FT PADBOLT
- 450X450X900P 3FT PADBOLT
- 450X450X900T 3FT 'T' LOCK
- SP-40148 1065 X 535 X 457mm
- SP-50068 1220 X 610 X 610mm
- SP-50123 610 X 300 X 300mm
- SP-50066 810 X 300 X 300mm
- SP-50067 900 X 360 X 360mm



P/N HTL001 STD

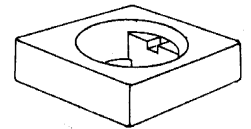


P/N HTL004 EXTENDED



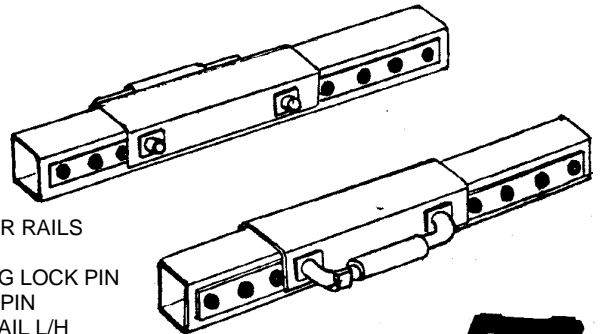
TWISTLOCK CENTER REGISTER
P/N HTL003 STD
P/N HTL006 EXTENDED

RAISER BLOCK 1.1/4" (57MM)
P/N HTL007



HERCLIFT SLIDER RAILS
PART No.

- TT3361-1 SPRING LOCK PIN
- TT3361-2 PLAIN PIN
- TT3362-1 TOP RAIL L/H
- TT3362-2 TOP RAIL R/H
- TT3364 BOTTOM RAIL



TYRE CARRIERS
PART No.

- UFK-220 285PCD 10 STUD
- UFK-280 335PCD 10 STUD
- UFK-510 SPIDER CARRIER
- UFK-H HANDLE

