

Barry Stoodley Pty Ltd

JUST

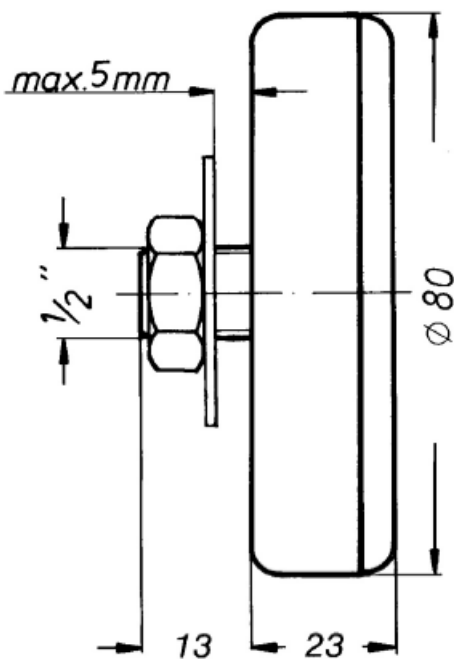
JOST HUBODOMETER

is a precision instrument for all kinds of wheeled vehicles, e.g.

- semi-trailers
- trailers
- low-bed trailers
- buses
- trains
- and other equipment.

JOST HUBODOMETER

will record information for
maintenance schedules
wear and tear controls
mileage of leasing vehicles
exact data for calculation of transport costs
validating guarantees



Smallest dimension

overall depth only 23 mm

Mounting

directly to the wheel cap or shockproof mounting
in a special wheel cap

Recording mechanism

Completely and permanently sealed.
Filled with inert gas against
fogging and ingress of moisture or dirt.
Records forward and reverse motion.
Completely tamperproof.
Records up to one million miles.
Records in kilometres or miles.
All parts corrosion resistant.

weight: 0.24 kg

3 Year or 500,000kms warranty, whichever
comes first.

When ordering please state:

1. exact tyre size resp. circumference
2. calibration for kilometres or miles.

Barry Stoodley Pty Ltd

JUST

Circumference (mm)	Tyre Size
3280-3310	245.70-19,5
	365.80-22,5
3175-3220	11.00-22,5
	6.00-9
2712-2750	9.00-16
	7.50-15
	215.75-16
2620-2650	8.25-16
3410-3470	425.65-22,5
2712-2750	10.00-15
3175-3220	10.00-20
3175-3220	315.75-22,5
	235.70-17,5
3280-3310	12.00-22,5
2620-2650	265.70-19,5
3015-3134	315.70-22,5
	7.00-15
3240-3260	385,65-22,5
	11.70-22,5
	6.00-16
3240-3260	18.00-19,5
	205.65-17,5
	425.55-19,5
	14.00-24
2712-2750	285.70-19,5
3175-3220	405.70-20
	445.45-19,5
2015-2055	7.00-12
3410-3470	13.00-22,5
2015-2055	195.00-14
	305.70-19,5
3015-3134	275.80-22,5
3175-3220	375.70-20
	245,70-20
3175-3220	295.80-22,5
2620-2650	6.50-20
	205.00-16
2830-2860	285.60-22,5
	205.75-17,5
3015-3134	9.00-20
3015-3134	335.80-20
2830-2860	7.50-20
2830-2860	225.70-22,5
3280-3310	365.70-22,5
2620-2650	10.00-17,5

HUBODOMETER for all tire sizes

Circumference (mm)	Tyre Size
3240-3260	15.00-22,5
	225,75-16
2712-2750	275.80-18
	7.00-16
	160.65-315
3280-3310	11.00-20
3280-3310	315.80-22,5
2015-2055	185.00-15
3410-3470	16.50-22,5
	215.75-17,5
	205.80-15
3560-3570	12.00-22
	12.00-24
3015-3134	295.70-22,5
3280-3310	14.80-20
1935-1985	185.00-14
3410-3470	18.00-22,5
2464-2520	9.00-15
	275.70-22,5
	445.65-22,5
	8.25-20
	8.25-15
2712-2750	215.75-22,5
3015-3134	10.00-22,5
3410-3470	12.00-20
3560-3570	13.00-20
2712-2750	7.00-20
3175-3220	14,80-22,5
1935-1985	175.00-14
	9.50-19,5
	295.60-22,5
	9.50-17,5
2464-2520	235.75-17,5
3280-3310	365.80-20

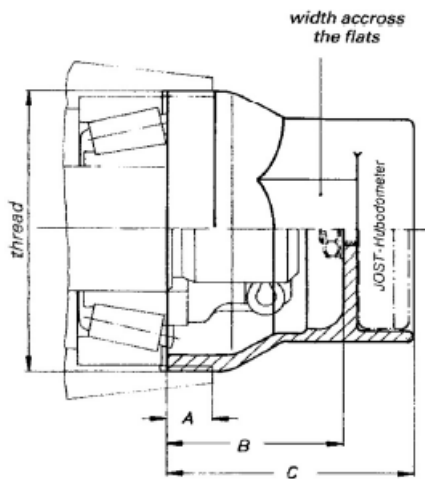
Barry Stoodley Pty Ltd

JOST

Special hub caps for Hubodometer

Special aluminium JOST axle caps

protect the Hubodometer from external damage. They are provided with a concentric bore for securing the Hubodometer, fitting is quick and easy. Threaded axle caps must be re-tightened after the first 500 km (300 miles).

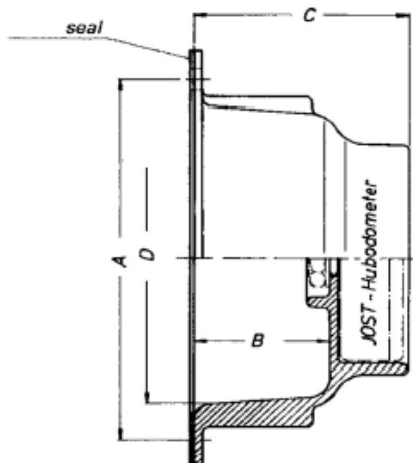


Special axle caps

with self-locking thread. Fitting is carried out using standard axle cap spanner.

A mm	B mm	C mm	width across the flats	Axle cap thread	Axle manufacturer	Part No.
17,5	68	98	94	M 115 x 2	BPW	JHU 202
17,5	68	98	109	M 125 x 2	BPW	JHU 203

Other dimensions upon request

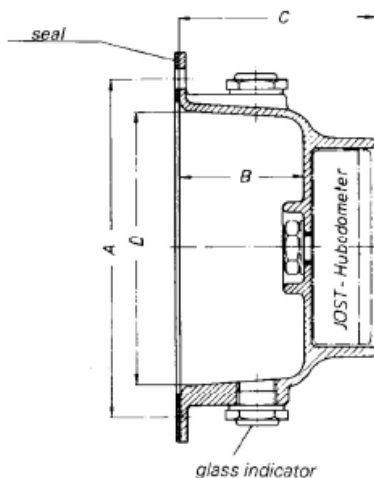


Special axle caps for flange mounting

A Bolt hole dia.	B mm	C mm	D mm	Axle manufacturer	Part No.
139,7	56	86	112	SAUER/ROR	JHU 300

Other dimensions upon request

Items supplied: Axle Cap
Seal



Special axle caps

for oil filled axles with flange mounting. Two glass indicators are provided to check the oil level

A Bolt hole dia.	B mm	C mm	ØD mm	Axle manufacturer	Part No.
139,7	56	86	112	SAUER/ROR	JHU 300-1

Other dimensions on request

Scope of supply: Axle Cap
Seal
Glass indicators