

# Barry Stoodley Pty Ltd

## JOIST SPARE PARTS FOR TYPE JSK 36 CV

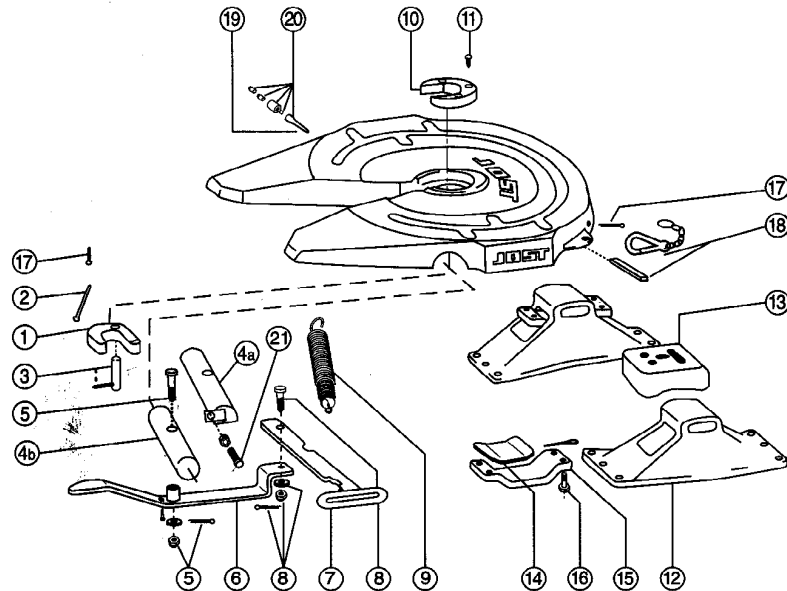


Fig.	Description	Part No.
1	Lock jaw	SK 2105-15
2	Lock jaw spring	SK 847
3	Pivot for lock jaw	SK 2121-13
4a	Locking bar manual adjust after 1992	SK 2106-31
4b	Locking bar auto adjust pre 1992	SK 2105-17
5	Locking bar bolt	SK 2121-14
6	Lever	SK 2105-01
7	Operating handle	SK 2105-07
8	Head bolt	SK 1513
9	Double tension spring	SK 2105-11
10	Wearing ring	SK 2105-19
11	Socket head bolt	SK 2121-07
12a	Pedestal (150 mm) Non Weldable/bolt on Pedestals	SK 2104-02
12b	Pedestal (170 mm) Non Weldable/bolt on Pedestals	SK 2104-21
12c	Pedestal (185 mm) Non Weldable/bolt on Pedestals	SK 2104-01
12d	Pedestal (250 mm) Non Weldable/bolt on Pedestals	SK 2104-14
12e	Pedestal (300 mm) Non Weldable/bolt on Pedestals	SK 2104-20
12f	Pedestal (150 mm) Weldable Pedestals	SK 2104-02X
12g	Pedestal (185 mm) Weldable Pedestals	SK 2104-01X
13	Upper rubber cushion	SK 1259
14	Lower rubber cushion	SK 2105-25
15	Mounting bracket	SK 1372
16	Hex Bolt	SK 60
17	Split pin	SK 1974
18a	Spring hook, chain & wedge	SK 1436V
18b	Spring hook, complete with chain	SK 1436
19	Lubrication fitting compl.	SK 2105-28
20	Grease nipple compl	SK 1976
21	Adjusting screw	SK 2121-76
	<b>Repair Kits</b>	
1,2,3,10,11	Repair kit for locking device	SK 2121-50
1,2,3	Repair kit for locking device	SK 2121-52
1,2,3,8	Repair kit for locking device	SK 2121-68
10,11,18		
13,14,16	Repair kit for rubber bearing	SK 2121-6936CV

# Barry Stoodley Pty Ltd

## JOET SPARE PARTS FOR TYPE JSK 37 CZ

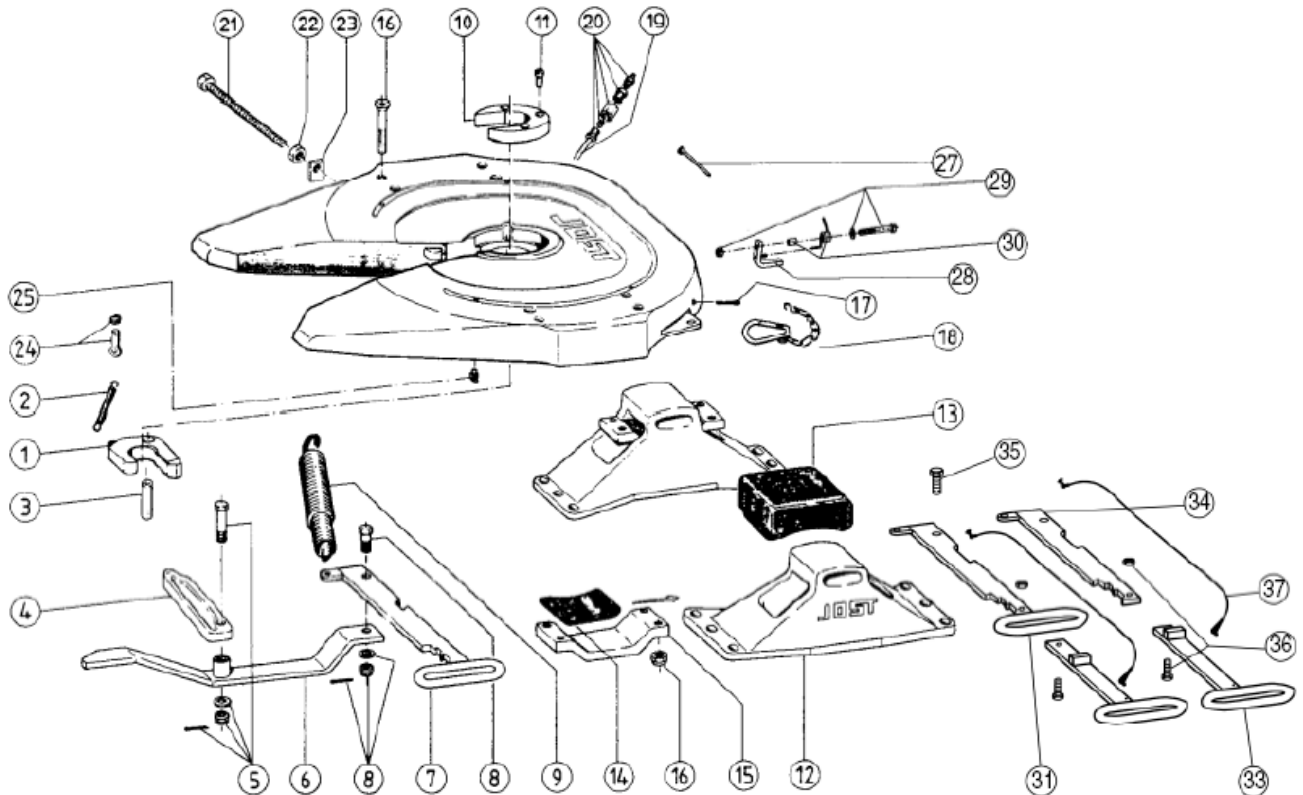


Fig.	Description	Part No.	Fig.	Description	Part No.
1	Lock jaw	SK 1489 Z	17	Split pin	SK 1974
2	Lock jaw spring	SK 847	18	Spring hook Pre 1996	SK 1436
3	Pivot for lock jaw, compl.	SK 2106-67	19	Lubrication fitting - steel	SK 1989
4	Locking bar	SK 3205-06	20	Grease nipple compl	SK 1976
5	Locking bar bolt, compl.	SK 3221-01	21	Adjusting screw	SK 3105-05
6	Lever	SK 3105-18	22	Hexagon nut	SK 2121-78
7	Operating handle	SK 3105-15	23	Guide piece	SK 3205-07
8	Socket head bolt	SK 1513	24	Eye bolt comp.	SK 2122-04
9	Double tension spring	SK 3105-20	25	Grease nipple	SK 3121-11
10	Wearing ring	SK 2105-19	26	Lubrication tubing - nylon	SK 3108-02
11	Head bolt	SK 2121-07	27	Tubing clamp	SK 3121-13
12a	Pedestal (185 mm) Bolt on/Weld on	SK 2104-01X	28	Spring latch 1996 onwards	SK 3121-52
12b	Pedestal (150 mm) Bolt on/Weld on	SK 2104-02X	29	Bolt for spring latch	SK 3521-03
12c	Pedestal (170 mm) Bolt on/Weld on	SK 2104-21X	30	Spring for latch	SK 3121-59
12d	Pedestal (250 mm) Non Weldable	SK 2104-14	31	Operating Handle	SK 3105-15
12e	Pedestal (300 mm) Non Weldable	SK 2104-20	33	Handle Extension	SK 3105-113
13	Upper rubber cushion	SK 1259	34	Internal Operating Handle	SK 3105-115
14	Lower rubber cushion	SK 2105-25	35	Head Bolt	SK 1513
15	Mounting bracket	SK 1372	36	Extended Handle Bolt	SK 2421-50
16	Socket head bolt, compl. with nut	SK 2121-15	37	Cable Extension	SK 3521-02

Fig.	Repair Kits	Part No
1,2,3,10,11	Repair kit for locking device	SK 3221-50 Z
1,2,3	Repair kit for locking device	SK 3221-52 Z
1,2,3,8	Repair kit for locking device	SK 3121-50
10,11,18, 13,14,16	Repair kit for rubber bearing	SK 2121-69 Z
28,29,30	Repair kit for spring latch	SK 3121-52 Kit

# Barry Stoodley Pty Ltd

## JOIST SPARE PARTS FOR TYPE JSK 37 EW

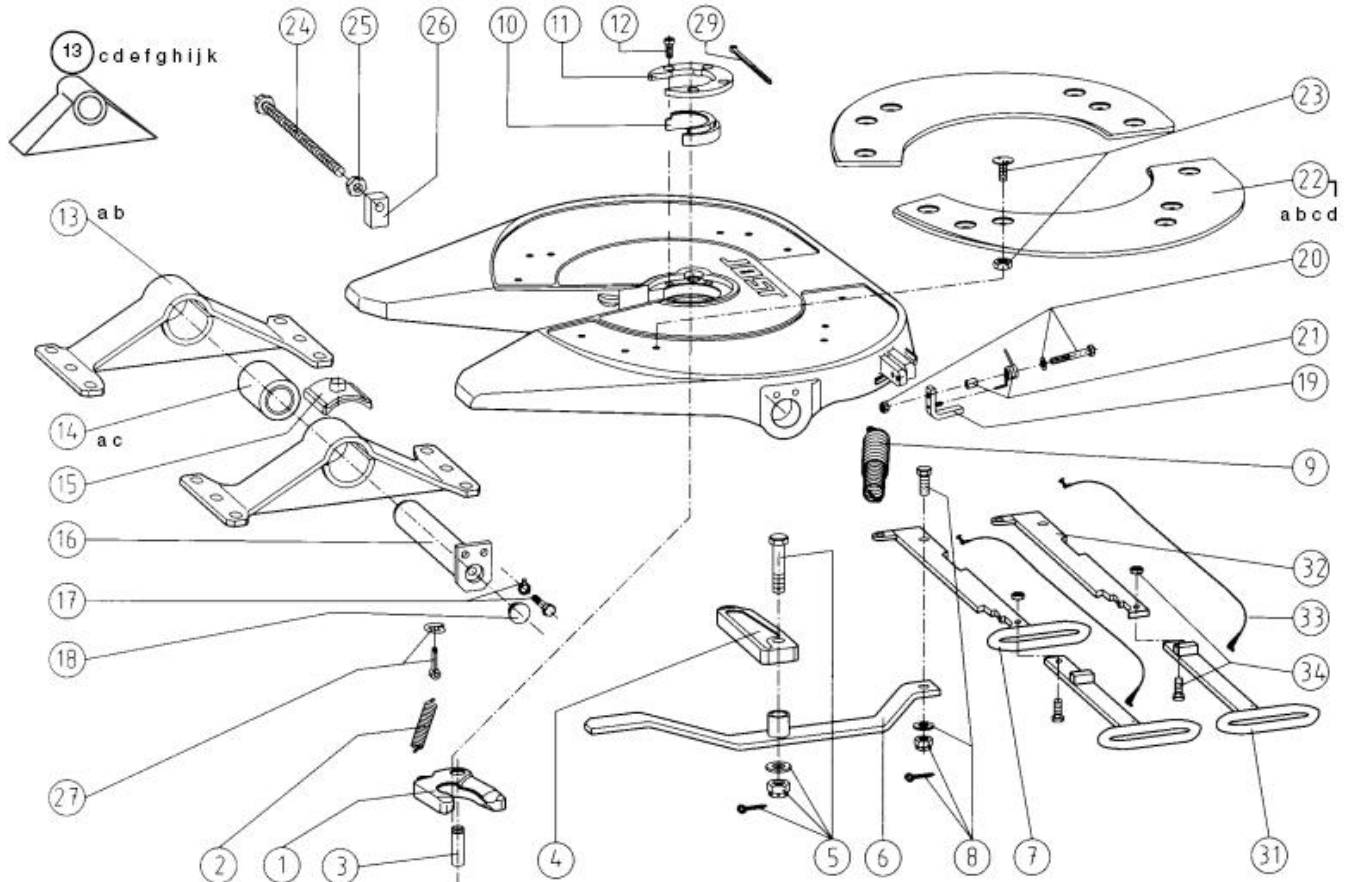


Fig.	Qty	Description	Part No.	Fig.	Qty	Description	Part No.
1		Lock jaw	SK 1489 Z	15		Collar	SK 3105-95
2		Lock jaw spring	SK 847	16		Swivel pin	SK 3104-05
3		Pivot for lock jaw, compl.	SK 2106-67	17		Socket head bolt, compl.	SK 3121-28
4		Locking bar	SK 3205-06	18		Plug	JS 1101-12
5		Locking bar bolt, compl.	SK 3105-18	19		Latch	SK 3121-52
6		Lever	SK 3105-18	20		Bolt for spring latch	SK 3521-03
7		Operating handle (standard)	SK 3105-15	21		Spring noose with spacer	SK 3121-59
8		head bolt	SK 1513	22a		Top plate liner, right hand (4 bolt)	SK 3105-87R10
9		Double tension spring	SK 3105-20	22b		Top plate liner, left hand (4 bolt)	SK 3105-87L10
10		Wearing ring insert	SK 3105-92	22c		Top plate liner, right hand 10mm(6 bolt)	SK 3105/129R
11		Wearing ring fixture	SK 3105-93	22d		Top plate liner, left hand 10mm(6 bolt)	SK 3105/129L
12	4	Socket head bolt	SK 3121-55	22e		Top plate liner, right hand (new style)	SK 3105/130L
13a		Pedestal (150mm) Bolt-on	SK 2904-42E	22f		Top plate liner, left hand (new style)	SK 3105/130R
13b		Pedestal (185 mm) Bolt-on	SK 2904-40E	23a		Countersunk bolt, compl.	SK 3121-062
13c		Fabricated Pedestals 130	SK 2920-130	23b		Hexalobular bolt (new style)	SKT 001006000
13d		Fabricated Pedestals 150	SK 2920-150	24		Adjusting screw	SK 3105-97
13e		Fabricated Pedestals 170	SK 2920-170	25		Hexagon nut	SK 2121-78
13f		Fabricated Pedestals 185	SK 2920-185	26		Guide piece	SK 3205-07
13g		Fabricated Pedestals 195	SK 2920-195	27		Eye bolt, compl.	SK 2122-04
13h		Fabricated Pedestals 205	SK 2920-205	28		Lubrication tubing, compl.	SK 3108-02
13i		Fabricated Pedestals 215	SK 2920-215	29		Tubing clamp	SK 3121-13
13j		Fabricated Pedestals 235	SK 2920-235	31		Extended handle, grip	SK 3105-113
13k		Fabricated Pedestals 255	SK 2920-255	32		Extended handle, lower part	SK 3105-115
14a	2	Rubber bushing for bolt on feet	SK 2905-20	33		Latch cord, compl.	SK 3521-02
14c	2	Rubber bushing for pressed feet	SK 2905-95	34		Socket head bolt, compl.	SK 2421-50

Fig.	Repair kits	Part No.	Fig.	Adapting kit	Part No.
1,2,3	Repair kit for locking device	SK 3221-52Z	19,20,21	Repair kit for spring latch	SK 3121-52 Kit
14,15,16,17,18	Repair kit for bearing	SK 3121-061	30,33,34	Handle extension, compl.	SK 3121-063
22,23	Repair kit for top plate liner 10mm (4 bolt)	SK 3106-004	22	Steel Inserts 6 bolt LH	SK4001L/8mm
22,23	Repair kit for top plate liner 10mm (6 bolt)	SK 3106-006	22	Steel Inserts 6 bolt RH	SK4001R/8mm
22,23	Repair kit for top plate liner 10mm (6 bolt)	SK 3106-007	22	Steel Inserts 8mm (6 bolt)	SK 4000

The right to alter specifications is reserved.

# Barry Stoodley Pty Ltd

## JUST SPARE PARTS FOR TYPE JSK 37 E

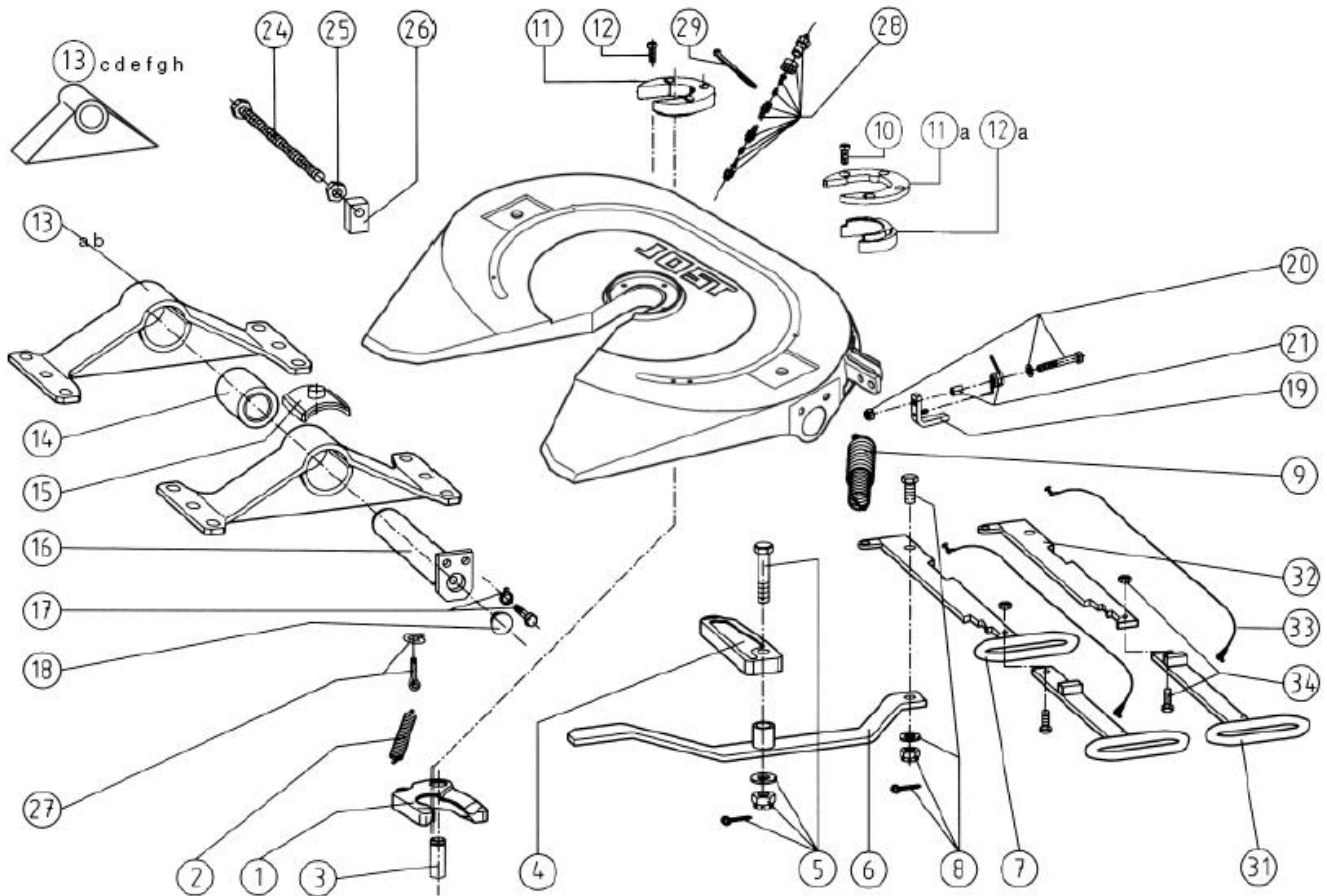


Fig.	Description	Part No.
1	Jaw	SK 1489 Z
2	Jaw Spring	SK 847
3	Jaw Pivot	SK 2106/67
4	Locking Bar	SK 3205/06
5	Lock Bar Bolt	SK 3221/01
6	Release Lever	SK 3105/18
7	Operating Handle	SK 3105/15
8	Head Bolt	SK 1513
9	Double Tension Spring	SK 3105/20
10	Wearing Ring Insert	SK 3105/92
11	Wearing Ring Fixture	SK 3105/93
11a	Wearing Ring Fixture	SK 2105/19
12	Socket Head Bolt	SK 3121/55
12a	Socket Head Bolt	SK 2121/07
13a	Pedestal (150mm) Bolt-on	SK 2904-42E
13b	Pedestal (185 mm) Bolt-on	SK 2904-40E
13c	Fabricated Pedestals 130	SK 2920-130
13d	Fabricated Pedestals 150	SK 2920-150
13e	Fabricated Pedestals 185	SK 2920-185
13f	Fabricated Pedestals 205	SK 2920-205

Fig.	Description	Part No.
13g	Fabricated Pedestals 235	SK 2920-235
13h	Fabricated Pedestals 255	SK 2920-255
14	Rubber bushing for bolt on feet	SK 2905-95
14a	Poly Bush	SK 2905-20
15	Collar	SK3105-95
16	Swivel Pin	SK 3104/05
17	Swivel Pin Bolt	SK 3121/28
18	Swivel Pin Plug	JS 1101/12
19	Spring Latch 1996 onwards	SK 3121/52
20	Bolt for Spring Latch	SK 3521/03
21	Spring for Latch	SK 3121/59
24	Adjusting Screw	SK 3105/97
25	Hex Nut	SK 2121/78
26	Guide Piece	SK 3205/07
27	Eye Bolt Complete	SK 2122/04
28	Grease Line Complete	SK 3108/02
31	Handle Extension	SK 3105/113
32	Internal Operating Handle	SK 3105/115
33	Cable Extension	SK 3521/02
34	Extended Handle Bolt	SK 2421/50

# Barry Stoodley Pty Ltd

## JOST SPARE PARTS FOR TYPE JSK 37 CZW

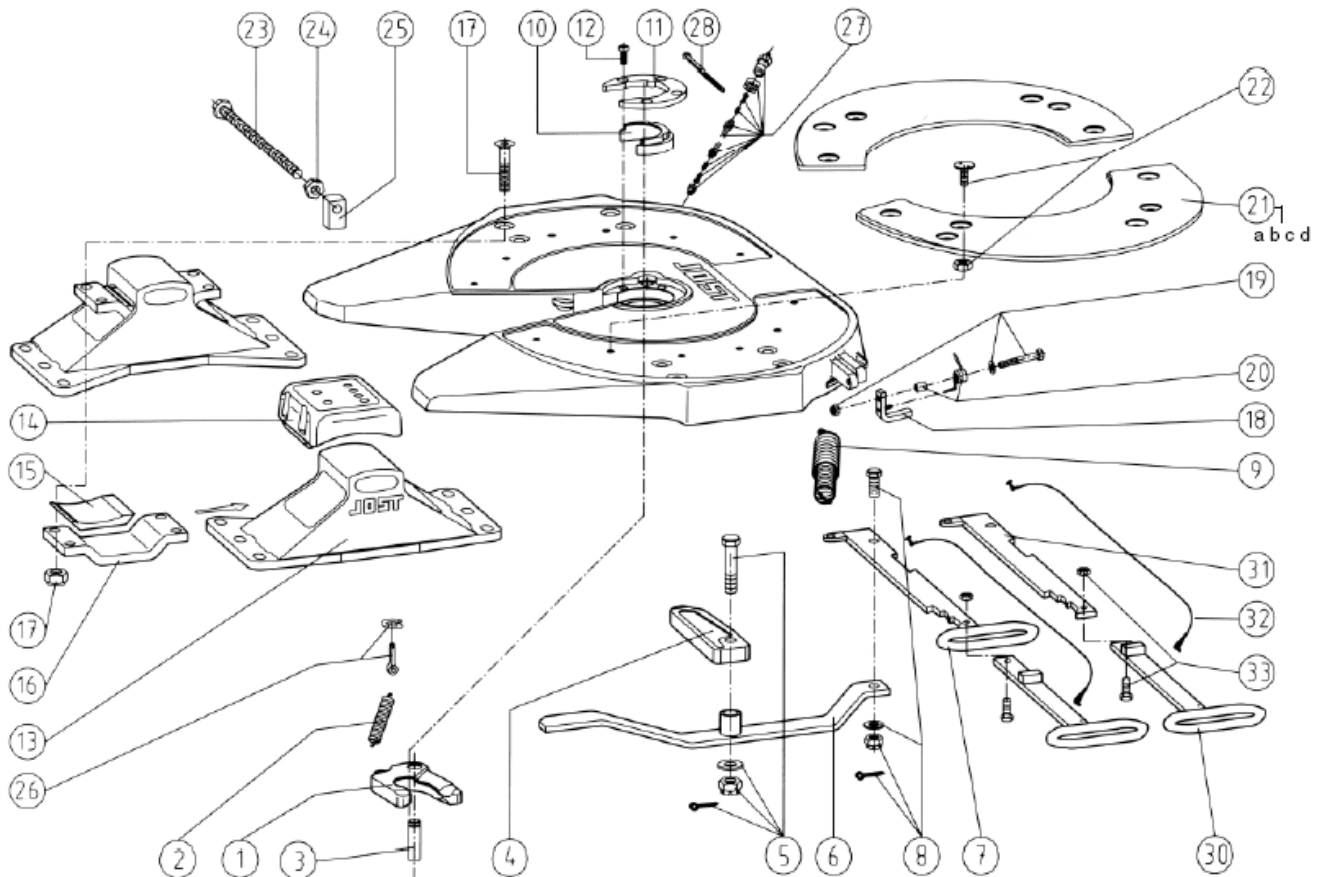


Fig.	Qty	Description	Part No.	Fig.	Qty	Description	Part No.
1		Lock jaw	SK 1489 Z	16		Mounting bracket	SK 1372
2		Lock jaw spring	SK 847	17	8	Countersunk bolt, compl.	SK 2121-15
3		Pivot for lock jaw, compl.	SK 2106-67	18		Latch	SK 3121-52
4		Locking bar	SK 3205-06	19		Bolt for spring latch	SK 3521-03
5		Locking bar bolt, compl.	SK 3221-01	20		Spring noose with spacer	SK 3121-59
6		Lever	SK 3105-18	21a		Top plate liner, right hand (6 bolt)	SK 3105-12910R
7		Operating handle (standard)	SK 3105-15	21b		Top plate liner, left hand (6 bolt)	SK 3105-12910L
8		head bolt	SK 1513	21c		Top plate liner, right hand (new style)	SK 3105/130L
9		Double tension spring	SK 3105-20	21d		Top plate liner, left hand (new style)	SK 3105/130R
10		Wear ring insert	SK 3105-92	22a		Countersunk bolt, compl.	SK 3121-062
11		Wear ring	SK 3105-93	22b		Hexalobular bolt (new style)	SKT 001006000
12	4	Socket head bolt	SK 3121-55	23		Adjusting screw	SK 3105-97
13a		Pedestal (185mm) bolt on	SK 2104-01	24		Hexagon nut	SK 2121-78
13b		Pedestal (150mm) bolt on	SK 2104-02	25		Guide piece	SK 3205-07
13c		Pedestal (170mm) bolt on	SK 2104-21	26		Eye bolt, compl.	SK 2122-04
13d		Pedestal (250mm) bolt on	SK 2104-14	27		Lubrication tubing, compl.	SK 3108-02
13e		Pedestal (300mm) bolt on	SK 2104-20	28		Tubing clamp	SK 3121-13
13f		Pedestal (150mm) weld on	SK 2104-02X	30		Extended handle, grip	SK 3105-113
13g		Pedestal (185mm) weld on	SK 2104-01X	31		Extended handle, lower part	SK 3105-115
14	2	Upper rubber cushion	SK 1259	32		Latch cord, compl.	SK 3521-02
15	2	Lower rubber cushion	SK 2105-25	33		Socket head bolt, compl.	SK 2421-50

Fig.	Repair kits	Part No.	Fig.	Adapting kit	Part No.
1,2,3	Repair kit for locking device	SK 3221-52Z	29,32,33	Handle extension, compl.	SK 3121-063
14,15,17	Repair kit for bearing	SK 2121-69Z	22	Steel Inserts 6 bolt LH	SK4001L/8mm
19,20,21	Repair kit for spring latch	SK 3121-59	22	Steel Inserts 6 bolt RH	SK4001R/8mm
21,22	Repair kit for top plate liner (4 bolt)	SK 3106-004			
21,22	Repair kit for top plate liner (6 bolt)	SK 3106-007			
22	Steel Inserts Kit 8mm (6 bolt)	SK 4000			

# Barry Stoodley Pty Ltd

## JOST SPARE PARTS FOR TYPE JSK 37 G-240

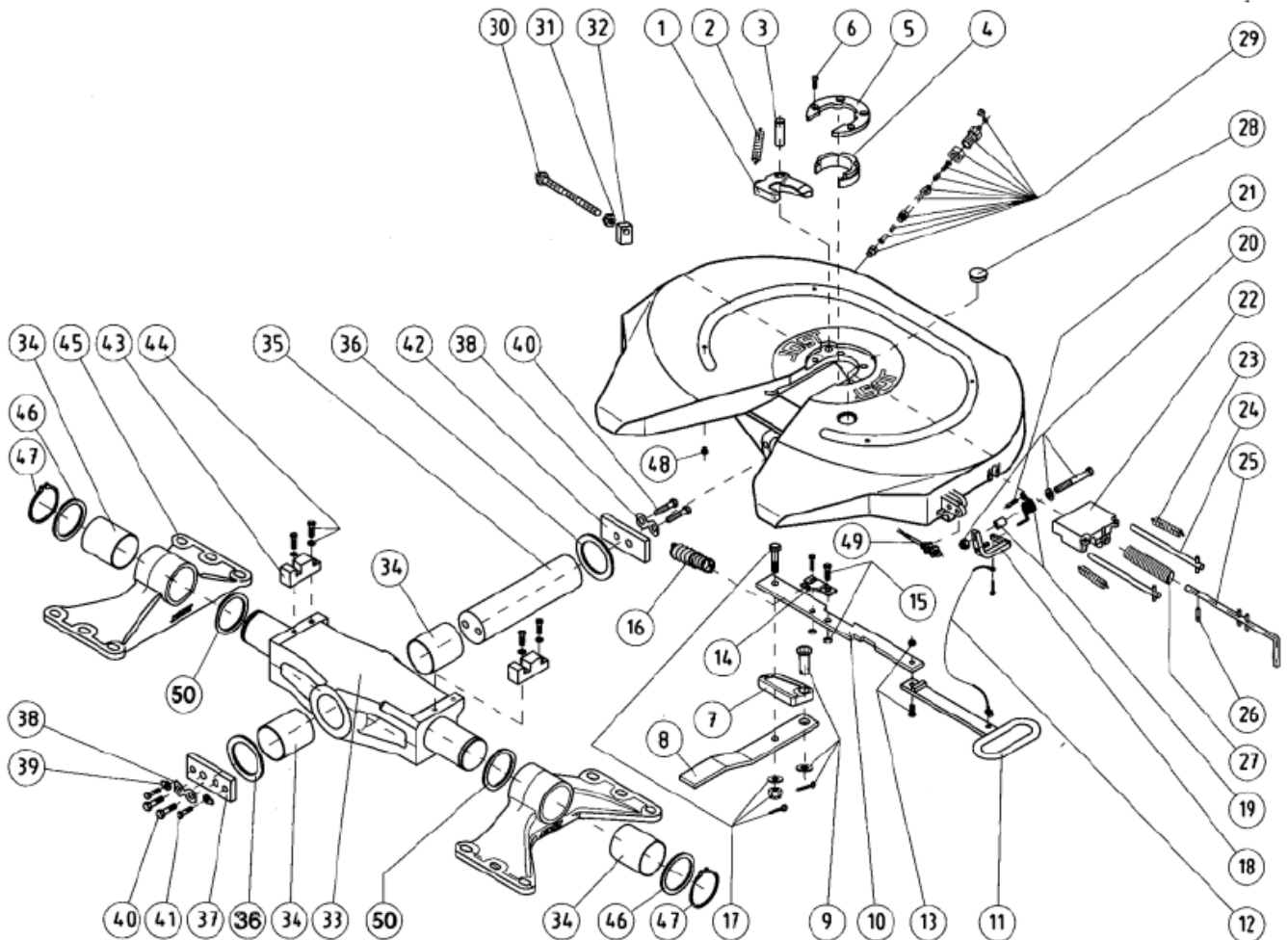


Fig.	Description	Part No.	Fig.	Description	Part No.
1	Lock jaw	SK 1489 Z	31	Hexagon nut	SK 2121-78
2	Lock jaw spring	SK 847	32	Guide piece	SK 3205-07
3	Bolt	SK 2405-18	33	Rocking arm	SK 3304-002
4	Wear ring insert	SK 3105-92	34	Bushing	SK 3304-010
5	Retainer for wearing ring	SK 3105-93	35	Pivot	SK 3304-003
6	Socket head bolt	SK 3121-55	36	Distance ring	SK 3304-009
7	Locking bar	SK 3305-001	37	Bracket	SK 3304-004
8	Lever	SK 3305-008	38	Safety bracket	SK 3304-006
9	Bolt compl.	SK 3353-005	39	Safety bracket	SK 2521-20
10	Securing lever	SK 3305-003	40	Hexagon bolt	000.001.114
11	Operating handle	SK 3105-113	41	Hexagon bolt	000.001.127
12	Wire cable compl.	SK 3521-02	42	Bracket	SK 3304-005
13	Head bolt compl.	SK 2421-50	43	Stop block	SK 3306-004
14	Retainer	SK 3305-004	44	Socket head bolt compl.	SK 3353-009
15	Socket head bolt compl.	SK 3353-006	45	Pedestal	SK 3304-001
16	Double tension spring	SK 3305-007	46	Distance ring	SK 3304-008
17	Socket head bolt compl.	SK 1513	47	Snap ring	000.006.057
18	Latch	SK 3521-01	48	Plug	000.010.021
19	Spring with spacer	SK 3521-09	49	Sensor	000.018.002
20	Hexagon bolt compl.	SK 3521-03	50	Distance Ring	SK 3304-007
21	Clamping sleeve	SK 2121-01	<b>REPAIR KITS</b>		
22	Clamp	SK 3306-001	34,38 39,40, 41,47, 1,2,3, 4,6, 17,18,	Repair kit for cardan bearing	SK 3353-010
23	Tension spring	000.009.014		Repair kit for locking device	SK 3353-011
24	Guide rod with fig. 26	SK 3353-007			
25	Adjusting handle compl.	SK 3306-003			
26	Clamping sleeve	000.003.024			
27	Spring	000.009.015			
28	Plug	000.010.017			
29	Tubing compl.	SK 3353-008			
30	Adjusting screw	SK 2905-52			

The right to alter specifications is reserved.