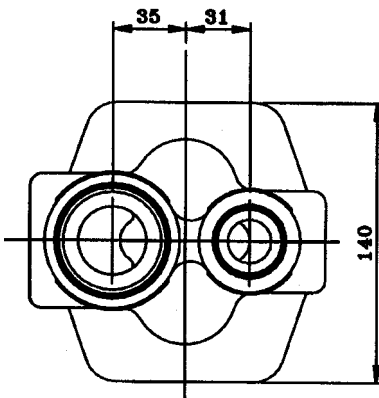
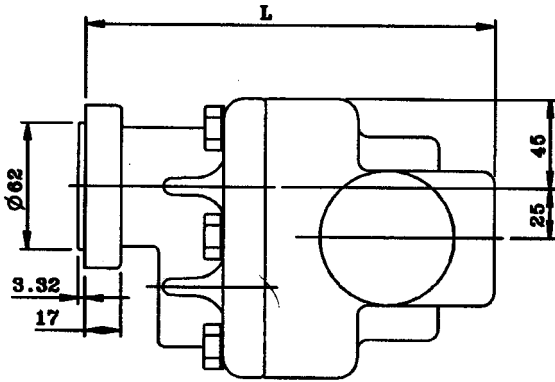
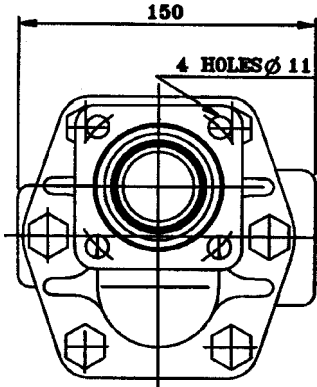
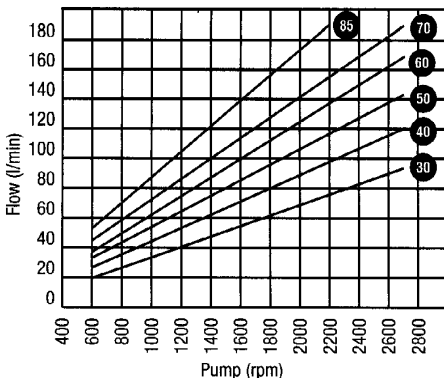


Barry Stoodley Pty Ltd

"K" SERIES PUMP TECHNICAL DATA



Representative Performance Data



Useful Formulae

Torque required for pump operation

$$T(\text{Nm}) = \frac{\text{pump size no.} \times \text{pressure rating (bar)}}{71.8}$$

$$T(\text{lb.ft}) = \frac{\text{pump size no.} \times \text{pressure rating (psi)}}{1408}$$

PUMP DESIGNATION CODES

K series pump

PU K 0 85 R *

Identifier

PU = Pump

Pump Series

K

Rotation

O = Opposite to engine
S = Same as engine

Flow @ 1000 RPM

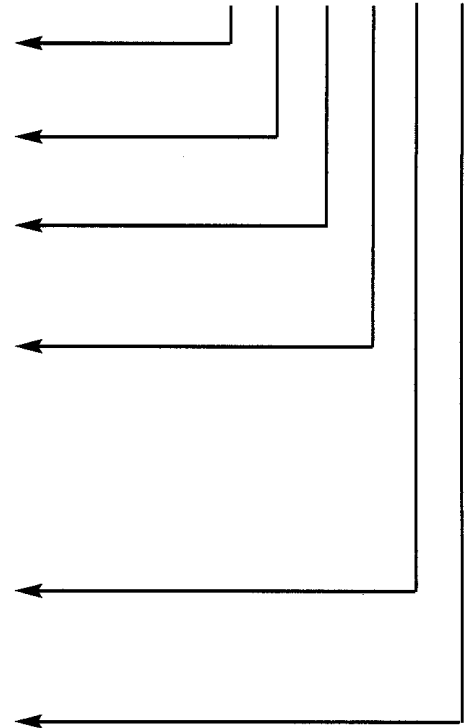
30 = 24 l/min (6.3 g/min)
40 = 33 l/min (8.7 g/min)
50 = 44 l/min (11.5 g/min)
60 = 54 l/min (14.3 g/min)
70 = 64 l/min (16.9 g/min)
85 = 86 l/min (22.8 g/min)

Porting

R = rear porting
S = side porting

Manufacturers Code

(internal use only, if required)



Technical Specifications

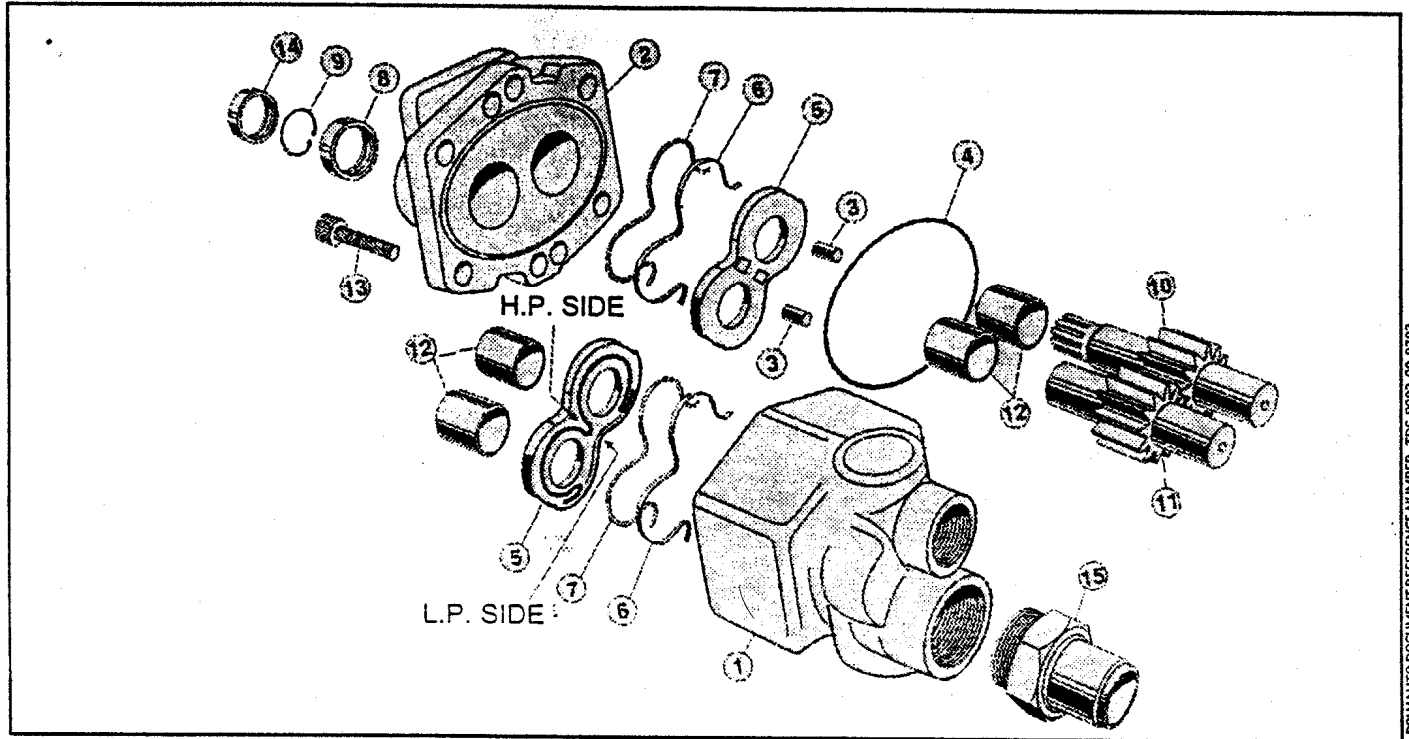
Series K Pump Ratings		Pump Size					
		30	40	50	60	70	85
Pump flow Rates @ 1000 RPM @ Max. Pressure	l/min	29.0	38.5	48.2	58.0	67.8	86.0
	USgpm	7.7	10.2	12.7	15.3	17.8	23.0
@ 2000 RPM @ Max. Pressure	l/min	58.0	77.0	96.5	116.0	135.0	173.0
	USgpm	15.3	20.3	25.4	30.6	35.7	46.0
Pressure Ratings	bar/psi	310/ 4500	276/ 4000	250/ 3650	207/ 3050	207/ 3050	173/ 2500
	Operating Speeds (See graph)	Min Operational: 600 rpm Max Continuous: 2000 rpm Max Intermittent: 2500 rpm					
Minimum Suction Line Inside Diameter	(40 mm) (1 1/2" in)						
Pump Port Sizes	Inlet	1 7/8" 12UN O-Ring					
	Outlet	1 5/16" 12UN O-Ring					
Approximate Bare Mass	Kg	11.7	12.3	12.9	13.5	14.2	15.5
	lb	25.7	27.0	28.4	29.7	29.7	34.1
Seal kit	SK028						
Overall Length	mm	195.7	202.7	209.7	216.7	223.7	239

For full details refer to Powauto or consult your applications book.

Note: Powauto recommends the use of filtration (min 25µ) in your hydraulic system. Warranty void if pump seal removed.

Barry Stoodley Pty Ltd

"K" SERIES PUMP SPARE PARTS



POW AUTO DOCUMENT REFERENCE NUMBER: TDS-P903-00-9703

SERIES K SPARE PARTS

COMMON PARTS ALL K PUMPS			
ITEM	PART NO.	QTY	DESCRIPTION
2	33263	1	Front Cover K Pump
3	31314A	2	Dowel Pin
4	45001FH	1	'O' Ring _J or K Pump
5	28391	2	Thrust Plate J or K Pump
6	45126	2	Back up Seal - J or K Pump
7	45127	2	Balance Seal (cut 45001FH)
8	46501	1	Oil Seal - J or K pump
9	39996AE	1	Circlip - Internal 40 mm
12	47404	4	Plain Bearing
13	48883J	6	Cap Screw
14	46001T	1	Oil Seal (AID 1826F)
15	38054	1	Inlet Hose-tail

Specific Parts K30 Pumps			
ITEM	PART No.	QTY	DESCRIPTION
1	33267-30	1	Body - K30 Pump
10	26395-30	1	Drive Gear-K30 Pump
11	26396-30	1	Driven Gear-K30 Pump
Specific Parts K40 Pumps			
1	33267-40	1	Body-K40 Pump
10	26395-40	1	Drive Gear-K40 Pump
11	26396-40	1	Driven Gear-K40 Pump
Specific Parts K60 Pumps			
1	33267-60	1	Body-K60 Pump
10	26395-60	1	Drive Gear-K60 Pump
11	26396-60	1	Driven Gear-K60 Pumps
Specific Parts K70 Pumps			
1	33267-70	1	Body-K70 Pump
10	26395-70	1	Drive Gear-K70 Pump
11	26396-70	1	Driven Gear-K70 Pump