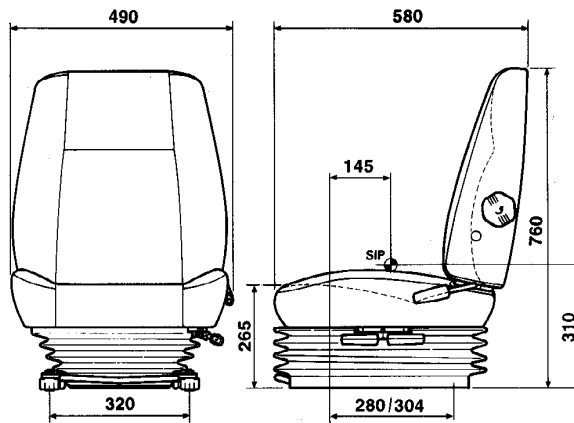


Barry Stoodley Pty Ltd

KAB SEATING



711

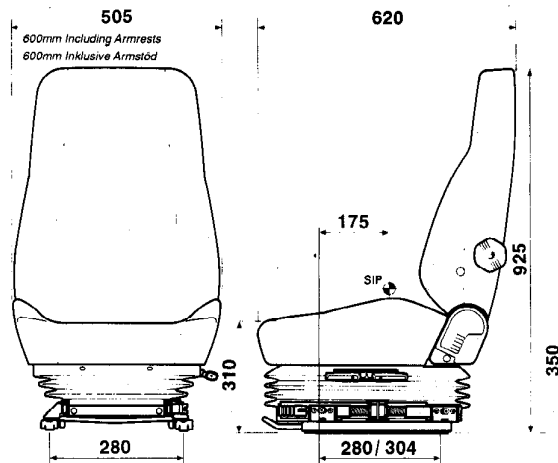


FEATURES INCLUDE:

- 5 position lumbar support
- Fore and aft adjustment 160mm
- Backrest angle adjustment
- Automatic adjustment for driver, weight from 50-120kg
- 60mm seat height and tilt adjustment
- Suspension cover

FEATURES INCLUDE:

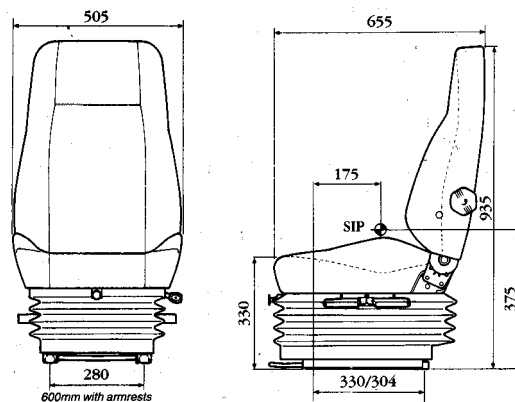
- 5 position lumbar support
- Backrest angle adjustment
- Automatic adjustment for driver, weight from 50-120kg
- 60mm seat height and tilt adjustment
- Suspension cover



714



554



FEATURES INCLUDE:

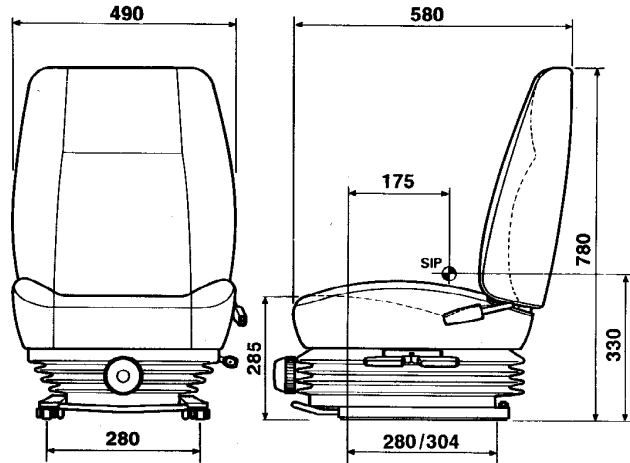
- 5 position lumbar support
- Backrest angle adjustment +65°/-70°
- Manual adjustment for driver, weight from 50-120kg
- 60mm seat height and tilt adjustment
- 125mm air suspension stroke
- Suspension cover
- Moulded body contour cushions

Barry Stoodley Pty Ltd

KAB SEATING



411

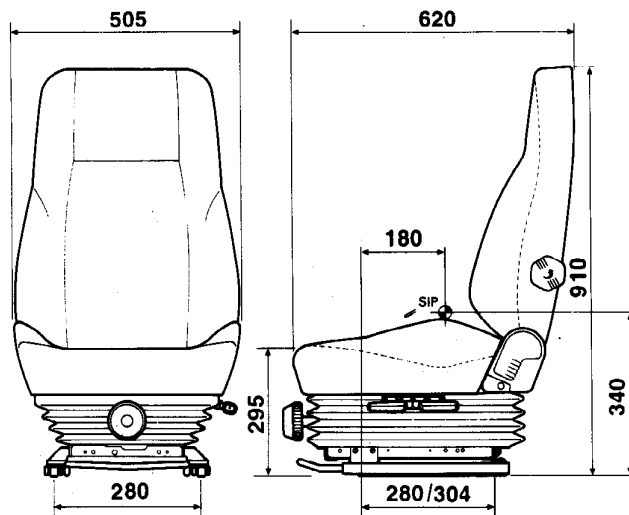


FEATURES INCLUDE:

- 5 position lumbar support
- Fore and aft adjustment 160mm
- Manual adjustment for driver, weight from 50-120kg
- 60mm seat height and tilt adjustment
- 100mm vertical suspension stroke
- Suspension cover

FEATURES INCLUDE:

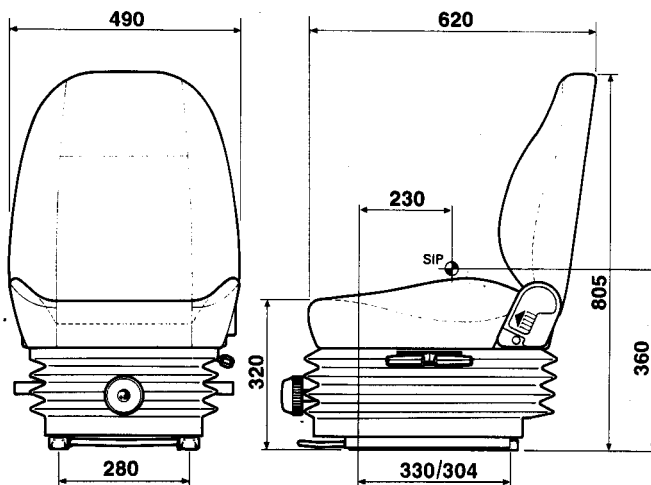
- 5 position lumbar support
- Backrest angle adjustment
- Fore and aft adjustment 160mm
- Manual adjustment for driver, weight from 50-120kg
- 60mm seat height and tilt adjustment
- 100mm vertical suspension stroke
- Suspension cover



414



555



FEATURES INCLUDE:

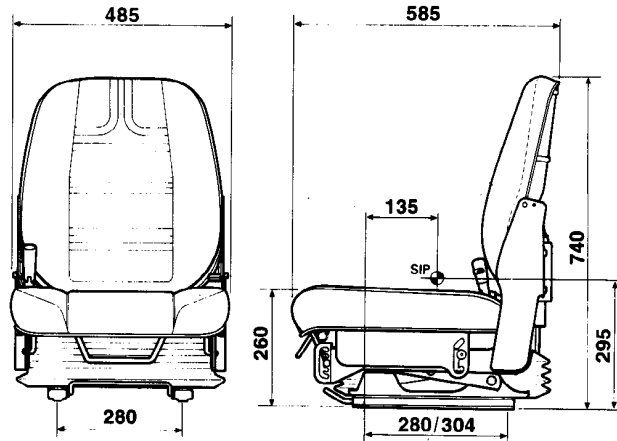
- 5 position lumbar support
- Fore and aft adjustment 200mm
- Manual adjustment for driver weight from 50-120kg
- 60mm height and tilt adjustment
- Double springs to allow for 30kg of extra suspended weight on 525

Barry Stoodley Pty Ltd

KAB SEATING



301

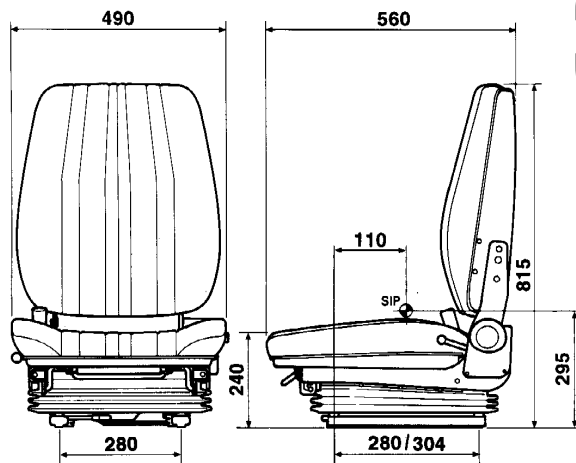


FEATURES INCLUDE:

- Fore and aft adjustment 160mm
- Back rest angle adjustment
- Manual adjustment for driver weight from 50-120kg
- 60mm seat height and tilt adjustment
- Twin dampers, reinforced base plate and seat pan on 301KS

FEATURES INCLUDE:

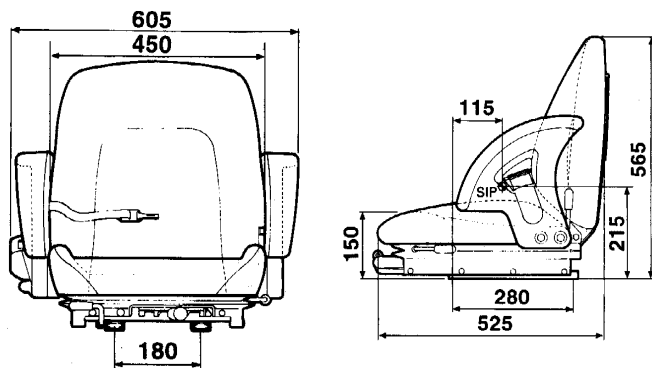
- Fore and aft adjustment 160mm
- Manual adjustment for driver weight from 50-120kg
- 60mm seat height and tilt adjustment
- Easy, in-cab cushion replacement



303



211



FEATURES INCLUDE:

- Fore and aft adjustment up to 210mm in 15mm increments
- Backrest angle adjustment 10° in 3 positions
- 5 step adjustment for driver weight from 50-120kg
- Suspension cover
- Seat tilt adjustment 3° (2 positions)

Barry Stoodley Pty Ltd

KAB SEATING

856

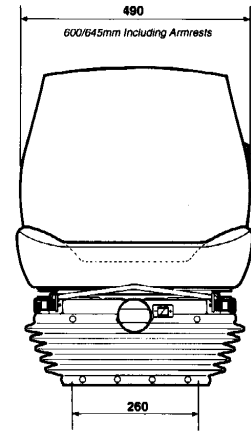
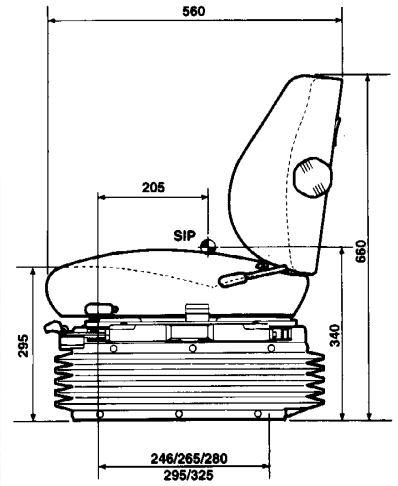
FEATURES INCLUDE:

- 5 position lumbar support
- Horizontal isolator with damper
- Slide rail adjustment 150mm
- 175mm vertical suspension stroke
- Back angle adjustment
- Swivel 0-10°-20° left or right
- 12 volt integral compressor
- High support adjustment

816

FEATURES INCLUDE:

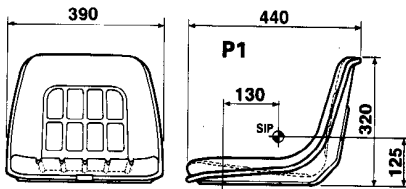
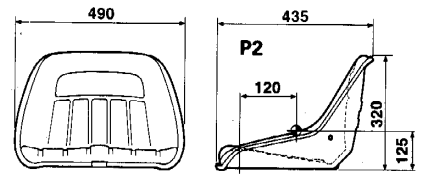
- Manual weight adjustment 50-120kg
- Slide rail adjustment 150mm
- 175mm vertical suspension stroke
- Back angle adjustment
- Swivel 0-10°-20° left or right
- High support adjustment



P1



P2

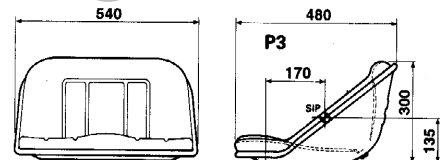


FEATURES INCLUDE:

- Rigid steel pan
- Rubber moulded trims
- Cushion drainage



P3



Barry Stoodley Pty Ltd

NATIONAL 2000 SERIES SEATING

The 2000 series seats are ergonomically designed to better fit the driver offering them the comfort and support they need to keep them going over the long miles ahead. Years of research was spent designing and refining this seat, making sure that nothing was overlooked in our attempt to bring to market the best seat that money can buy.

Standard series features

- Contoured cushions
- 7" fore & aft slide
- front cushion adjustments
- 6-23 degree recline
- Power air lumbar
- Rear cushion adjustment
- Chugger snubber

Standard Plus series features

Same features as indicated in the Standard Series

Plus:

- All Mordura cloth
- Available in Hi-back only
- Optional armrests



Premium series (Cloth) features

Same features as indicated in the Standard Series

Plus:

- 6 way front cushion adjustments
- Power cushion and back bolsters
- Base shroud and bellows
- Available in Hi-back only
- Optional armrests



Premium Leather series features

Same features as indicated in the Premium Series

Plus:

- Improved shoulder support
- Better lumbar support
- Driver friendly controls
- Re-engineered seat base
- Genuine leather seat with perforated leather inserts