

# Barry Stoodley Pty Ltd

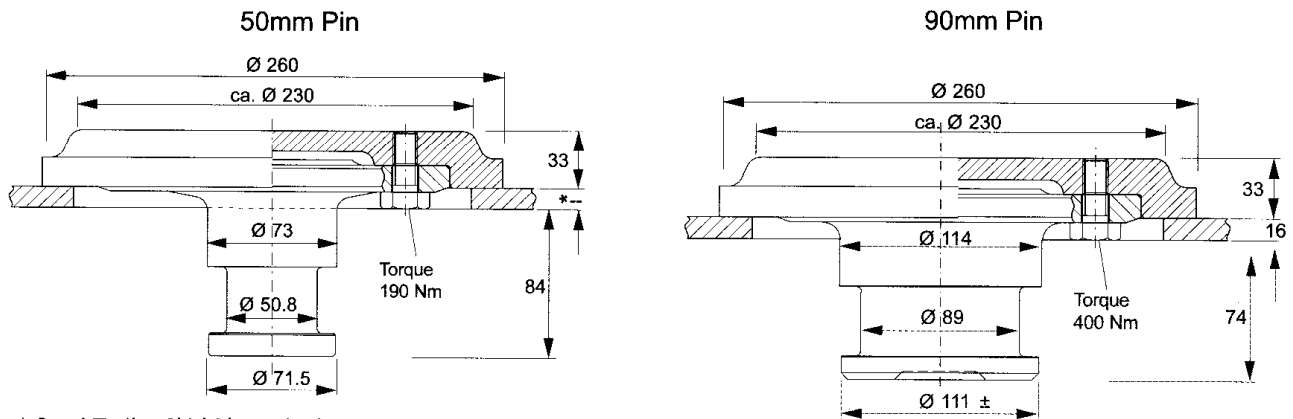


## KINGPINS

Refer to individual item for D Rating

GO THE DISTANCE.

### B. Series Replaceable Type 65



\* Semi Trailer Skid Plate Thickness

Part Number	Description	D-Rating kN	CRN Number
KPB62818	50mm C/W Housing Suits 8mm Plate	210	16671
KPB62018	50mm C/W Housing Suits 10mm Plate	210	16671
KPB62218	50mm C/W Housing Suits 12mm Plate	210	16671
KPBS0001	50mm C/W Housing Suits 16mm Plate	210	16671
KPB62012	90mm C/W Housing Suits 10mm Plate	210	16670
KPB62014	90mm C/W Housing Suits 12mm Plate	210	16670
KPBS0003	90mm C/W Housing Suits 16mm Plate	210	16670
KPB51050	50mm King Pin Only (15.5mm Flange)	210	16671
KPB51042	90mm King Pin Only (15.5mm Flange)	210	16670
BP5103808	Housing Only Suits 8mm Plate		
BP5103810	Housing Only Suits 10mm Plate		
BP5103812	Housing Only Suits 12mm Plate		
BP5103816	Housing Only Suits 16mm Plate		
BP5103820	Housing Only Suits 20mm Plate		
RK330218	Bolt Set (8 x Bolts) M14 x 40mm		

## Welding Procedure

Minimum 6mm weld all the way around the inside and outside of the flange as shown above.

Weld material should be a low hydrogen type with a minimum strength of 70,000 psi.

The kingpin flange should be centered on the hole in the trailer plate and suitably braced.

The kingpin should be removed before welding, but is not required to be removed, as long as the kingpin is protected from weld splatter. In all cases after welding, the bolts should be checked for the proper torque of 130nm.

**COMPLIES WITH ALL REQUIREMENTS OF ADR 62/63**

# Barry Stoodley Pty Ltd

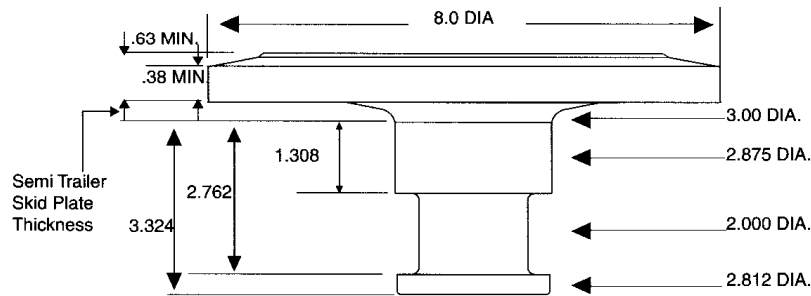


## KINGPINS

Refer to individual item for D Rating

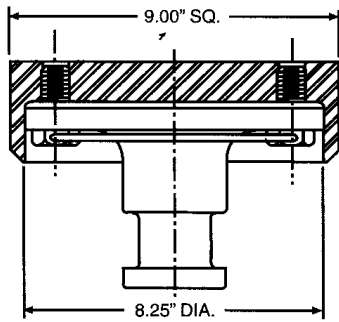
GO THE DISTANCE.

### Weld In

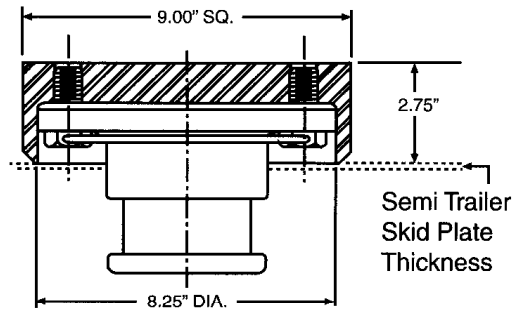


Part Number	Description	D-Rating kN	CRN Number
KPT809EF	50mm King Pin Suits 8mm Skid Plate	151 kN	16672
KPT809F	50mm King Pin Suits 10mm Skid Plate	151 kN	16672
KPT809BF	50mm King Pin Suits 12mm Skid Plate	151 kN	16672

### Replaceable



SAE 2.00" KING PIN



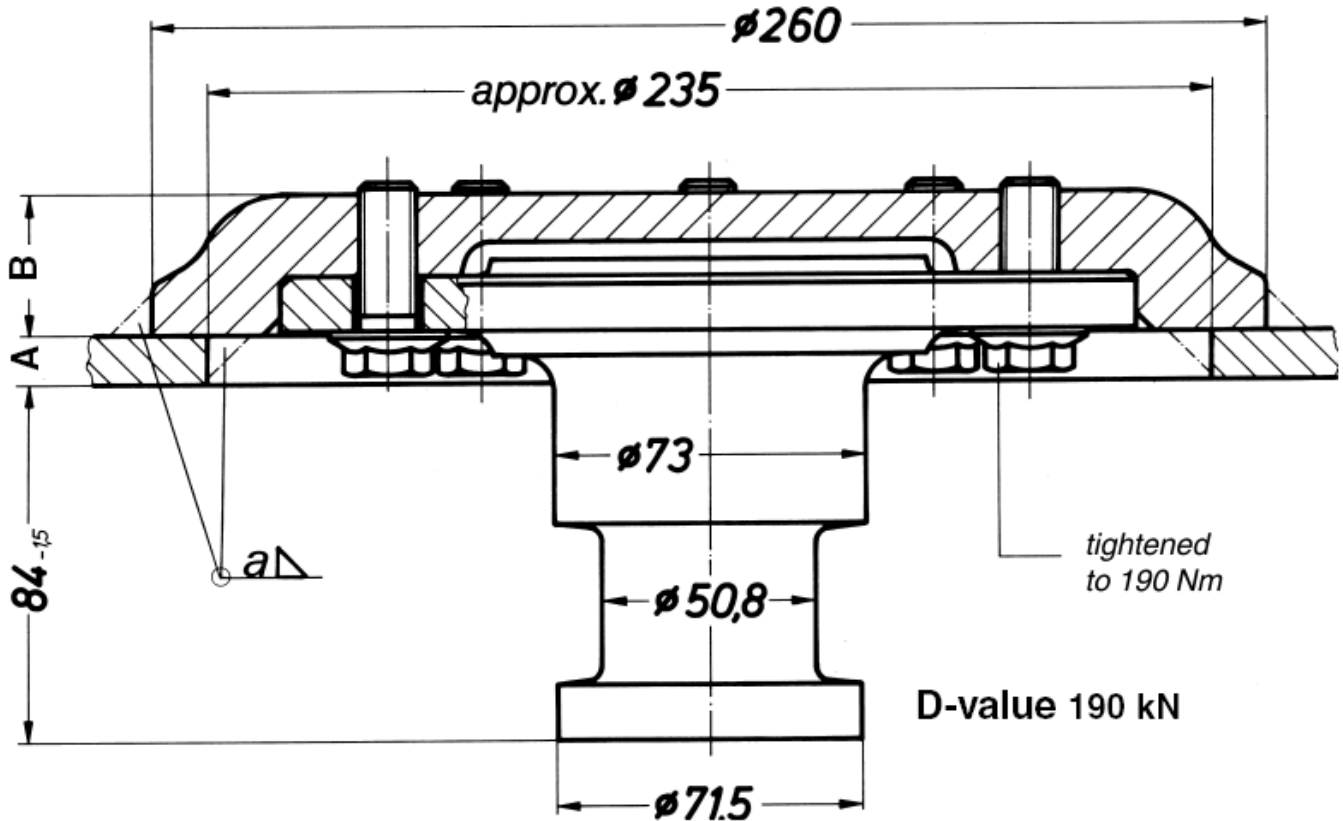
SAE 3.50" KING PIN

Part Number	Description	D-Rating kN	CRN Number
KP0882	50mm C/W Housing Suits 10mm Plate	200 kN	16673
KP0883	50mm C/W Housing Suits 12mm Plate	200 kN	16673
KP0884	90mm C/W Housing Suits 10mm Plate	200 kN	16674
KP0885	90mm C/W Housing Suits 12mm Plate	200 kN	16674
XA0676	50mm King Pin Only	200 kN	16673
XA0677	90mm King Pin Only	200 kN	16674
XA0767	Housing Only Suits 10mm Plate		
XA0768	Housing Only Suits 12mm Plate		
RK08868	Bolt Set (8 x Bolts) 3/4"		

# Barry Stoodley Pty Ltd

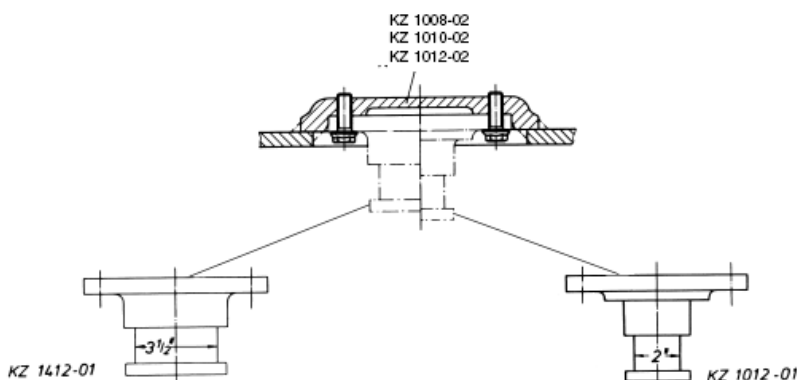
## BOLT-IN KING PINS 2" WITH WELDABLE HOUSING

KZ 1008 - KZ 1012



### Components

Skid plate thickness A	Type	Thickness B	Retention	King pin plate	Welding seam thickness a	CRN
8 mm	KZ 1008	37mm	KZ 1008-02	KZ 1012-01	6 mm	24156
10 mm	KZ 1010	34mm	KZ 1010-02		7 mm	24156
12 mm	KZ 1012	33mm	KZ 1012-02		7 mm	24156



### B.Double & Road train Rated

Dimensions according to DIN 74080 and ISO 337

JOST king pins can be used in self steering axle systems.

Mounting must be carried out according to the instructions.

3 1/2" & 2" king pins are easily interchangeable

The right to alter specifications is reserved.

# Barry Stoodley Pty Ltd

## JOIST KING PIN SPARE PARTS

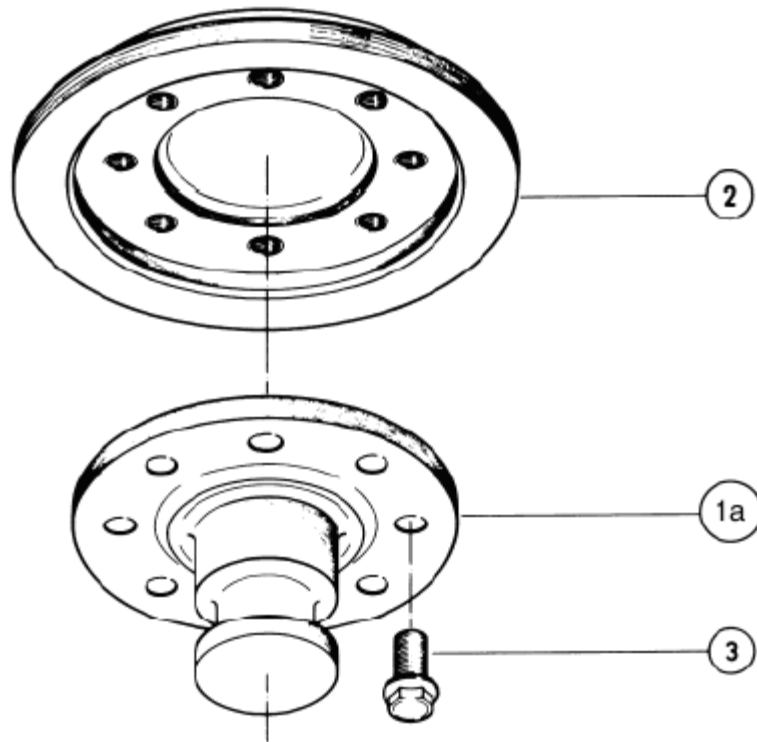


Fig.	Description	Part No.
1a	King pin 2" Dia	KZ 1012-01
2	Retention plate for: 12 mm skid plate 10 mm skid plate 8 mm skid plate	KZ 1012-02 KZ 1010-02 KZ 1008-02
3	Self-securing bolt	KZE 1012-03