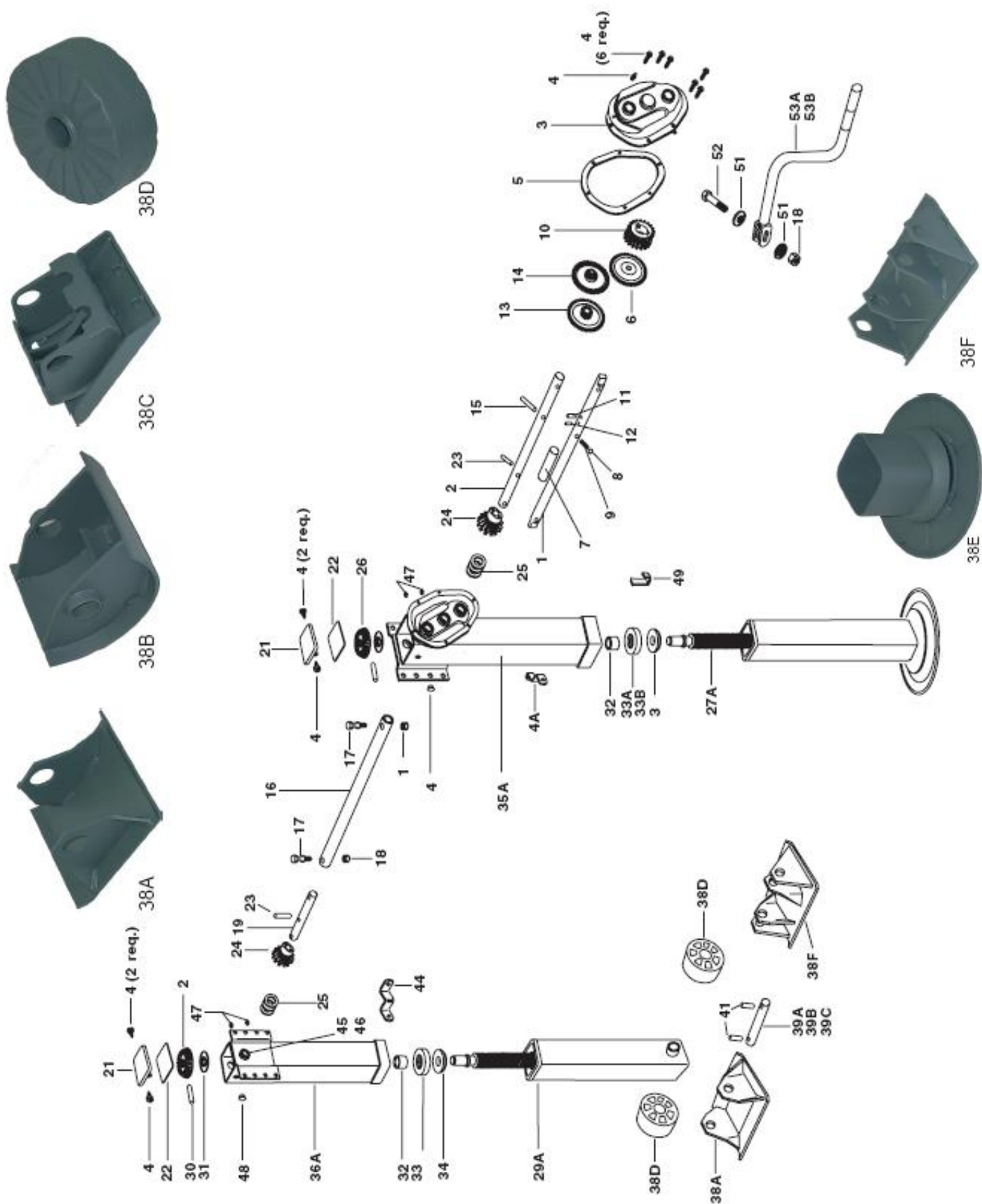


Barry Stoodley Pty Ltd

LANDING GEAR ASSEMBLY



Barry Stoodley Pty Ltd



LANDING GEAR

Spare Parts
Mark V

Item	Part Number	Description	Item	Part Number	Description
1	XAV06625A	Crankshaft	34	XAV06629	Collar
2	XAV06624A	Drive gear shaft	35A	Not available seperately	
3	XAV06618	Gearbox cover assembly	36A	Not available seperately	
4	XB06372	Thread rolling screw	38A	XAV796WS	Weight saver skid foot, 3.8" x 10" x 11.5"
5	XBV06621	Gearbox gasket	38B	XAV818R	Rocker foot
6	XAV06602	Idler ear	38C	RKE1091	Compensating foot kit
7	XAV07085	Idler gear shaft	38D	XBV747	Wheel
8	XBPP002301	Ball	38E	N/A	Self leveling foot
9	XBPP002002	Spring	38F	XAV796T	Heavy duty skid foot
10	XAV066041	Shifter gear	39A	XAV19011	Axle, suits skid & compensating foot
11	XACRPV06633	Pin, 25" x 1.44"	39B	XAV19014	Axle rocker foot
12	XB21S2181250	Spring pin, 22" x 1.25"	39C	XAV19012	Axle wheel
13	XAV06606	Spur gear	39D	XAV19013	Axle, suit HD skid foot
14	XAV06603	Step gear	41	XB21S3753000	Rollpin .38" x 3"
15	XACRPV06634	Pin, 38" x 1.5"	44	XAV1938	Ear brace
16	XAV19101000	Cross shaft, 1 mtr long	45	XBLG0559	Bearing
17	XBV4441	HHCS, 3/8" 16 x 1.75"	46	XBLG1570	Retainer
18	XB338	Locknut, 3/8" 16	47	XB767	Lube fitting
19	XAV06623A	Bevel pinion gear	48	XB01789	Plastic plug
21	XAV06611	Upper leg cover	49	XBLG0085	Crank hanger
22	XBV07054	Gasket	51	XB1108	3/8" SAE washer
23	XB02065	Groove pin	52	XBH332	HHCS, 1/4" 28 x 3"
24	XAV06600	Bevel pinion gear	53A	XAV902A	Crank, short
25	XB01977	Shim	53B	XAV9010A	Crank, long
26	XAV06601	Bevel gear	*54	XAV85	Lever
27A	XAV066280101 thru 515 1	Inner leg & screw assy.	*55	XBV932	Spring
29A	XAV066280000 thru 505 0	Inner leg & screw assy.	*56	XBV06622	Bushing retainer open
30	XACRPV06635	Pin, 38" x 2"	*57	XBV07082	Bushing, retainer closed end
31	XBV06632	Washer	*58	XBLG065801	Bushing, shifter
32	XBV06630	Bushing	*59	XBLG065801	Spring, compensating foot (used in 38C)
33	XBV647	Thrust bearing			

* Items not shown

Barry Stoodley Pty Ltd



LANDING GEAR

Spare Parts
LGS Kits

Part Number	Description	Item Number	Required Parts	Qty
LK40	Bush Kit	45	XBLG0559	3
		46	XBLG1570	3
		56	XBV06622	2
		57	XBV07082	1
		58	XBLG065801	1
		23	XB02065	2
		15	XACRPV06634	1
		12	XB21S2181250	1
		11	XACRPV06633	1
		9	XBPP002002	1
		8	XBPP002301	1
LK41	Bevel Gear Kit	26	XAV06601	1
		33	XBV647	1
		34	XAV06629	1
		32	XBV06630	1
		31	XBV06632	1
		30	XACRPV06635	1
LK42	Drive Shaft Kit, Single Speed Leg	19	XAV06623A	1
		23	XB02065	1
		24	XAV06600	1
		25	XB01977	3
		45	XBLG0559	2
		46	XBLG1570	2
LK43	Drive Shaft Kit, Two Speed Leg	2	XAV06624A	1
		23	XB02065	1
		15	XACRPV06634	1
		24	XAV06600	1
		25	XB01977	3
		45	XBLG0559	1
		46	XBLG1570	1
		56	XBV06622	1
LK44	Crankshaft Kit	1	XAV06625A	1
		10	XAV066041	1
		11	XACRPV06633	1
		12	XB21S2181250	1
		9	XBPP002002	1
		8	XBPP002301	1
		58	XBLG065801	1
		56	XBV06622	1

Note: Item no. refers to item no. on (fig 1)

Barry Stoodley Pty Ltd



GO THE DISTANCE.

LANDING GEAR

Spare Parts
LGS Kits

Part Number	Description	Item Number	Required Parts	Qty
RKV063881	Hardwarde Kit, Leg Set	49	XBLG0085	1
		44	XAV1938	2
		54	XAV85	1
		51	XB1108	1
		18	XB338	3
		52	XBH332	1
		17	XBV4441	2
		55	XBV932	1
RKV796	Kit, Skid Foot, Landing	39A	XAV19011	2
		28A	XAV796WS	2
		41	XB21S3753000	4
RKV747	Kit, Wheel set, Landing Gear	39C	XAV19012	2
		41	XB21S3753000	4
		38D	XBV747	4
RKV818	Kit, Rocker Foot set, landing	39B	XAV19014	2
		38B	XAV818R	2
		41	XB21S3753000	4
RKE1019	Compensating Foot, L/G, C/W	(not shown)	34011	2
		(not shown)	XA60060	1
		(not shown)	XAE19011	1
		(not shown)	XB60066	4
RKV08332	Hardware Kit, Geared Leg only	44	XAV1938	1
		49	XBLG0085	1
		52	XBH332	1
		18	XB338	1
		51	XB1108	1
		54	XAV85	1
		55	XBV932	1

Note: Item no. refers to item no. on (fig 1)

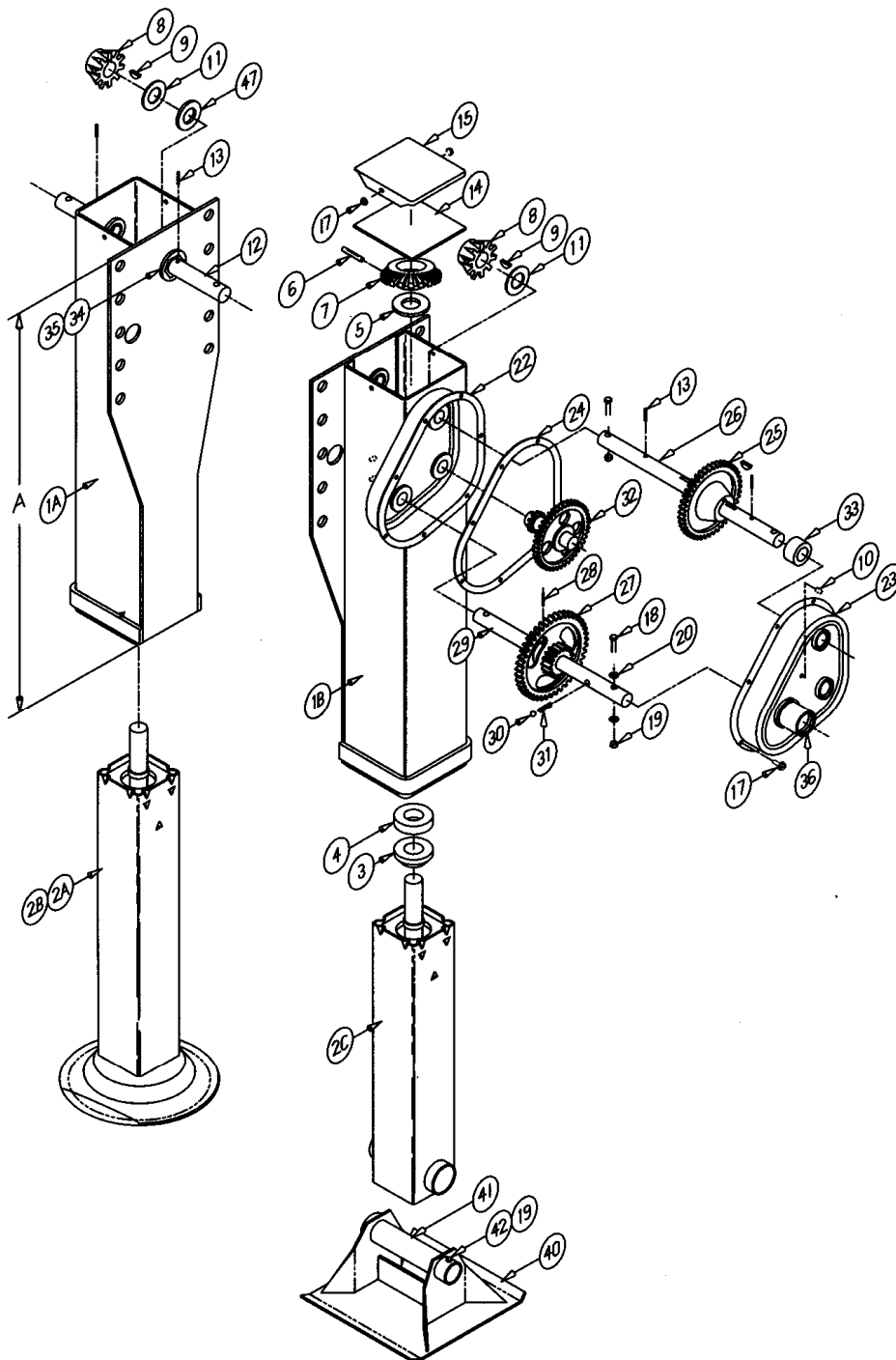
Barry Stoodley Pty Ltd



GO THE DISTANCE.

LANDING GEAR

Spare Parts
LG5000



Barry Stoodley Pty Ltd



LANDING GEAR

Spare Parts
LG5000

Item	Part Number	Description	Qty
1A	N/A	Upper housing, L.H.	1
1B	N/A	Upper housing, R.H. w/gearbox half	1
2A	N/A	Retract tube ass'y. 10" dia. S.F.	2
2B	N/A	Retract tube ass'y. 12" dia S.F.	2
2C	N/A	Retract tube ass'y. axle socket	2
3	XBLG0544	Collar	2
4	XBBRG01377	Thrust bearing	2
5	XBPW01662	Washer	2
6	XBGP05221	Groove pin 3/8 x 2	2
7	XALG057001	Bevel gear	2
8	LG053102	Pinion gear	2
9	XBKEY01802	Woodruff key	3
10	XBGRF02216	Grease fitting, 1/4 28	5
11	XBPW01619	Thrust washer	2
12	LG0259	Jack shaft L.H. universal	1
13	XBSP01427	Spring pin 1/4 x 1 1/2	4
14	XBLG0413	Cover gasket	2
15	LG0264	Top cover	2
16	LG1430	Tag. date of manufacture (not shown)	2
17	XBSTS00811	Self tapping screw	11
18	XBHHC05042	Screw, hex. cap 3/8 16 x 2 1/4	3
19	XBSLN01204	Self locking nut 3/8 16	5
20	XBPW01603	Washer 3/8 std. type A	2
21	XBLG0668	Seal, gearbox to HSG (not shown)	1
22	XBLG0662	Gearbox half, inside	1
23	XBLG0663	Gearbox half, outside	1
24	XBLG0428	Gearbox gasket	1
25	LG054301	Output gear	1
26	LG0260	Jack shaft R.H. universal	1
27	LG0541 01	Input gear	1
28	XBGP01407	Groove pin, type E 1/4 x 1 1/2	1
29	LG026101	Shift shaft, universal	1
30	XBBAL02307	Shift lock ball, stainless stl.	1
31	XBSPG02036	Shift lock spring, galvanized	1
32	XBLG054201	Idler gear	1
33	XBLG021901	Spacer bushing	1
34	LG2094	Retainer, hex lock	3
35	LG2095	Boss, hex lock	3
36	XBLG065801	Shift lock boss	1
37	XBLG065901	Gearbox boss (not shown)	4
38	XBLG0660	Gearbox boss, inside half (not shown)	1
39	N/A	Gearbox ass'y., complete (not shown)	1
40	LG0055	Sandshoe 10 x 10 x 4 1/2 (code 1)	2
41	LG007002	Axle, sandshoe	2
42	XBHHC05069	Screw, hex cap 3/8 16 x 3/4	2
43	LG213006	Crank (not shown)	1
44	N/A	Cross drive shaft (not shown)	1
45	LG0266	Strut bracket (not shown)	2
46	XBLG0085	Crank hanger (not shown)	1
47	XBPW01614	Thrust washer, L.H.	1

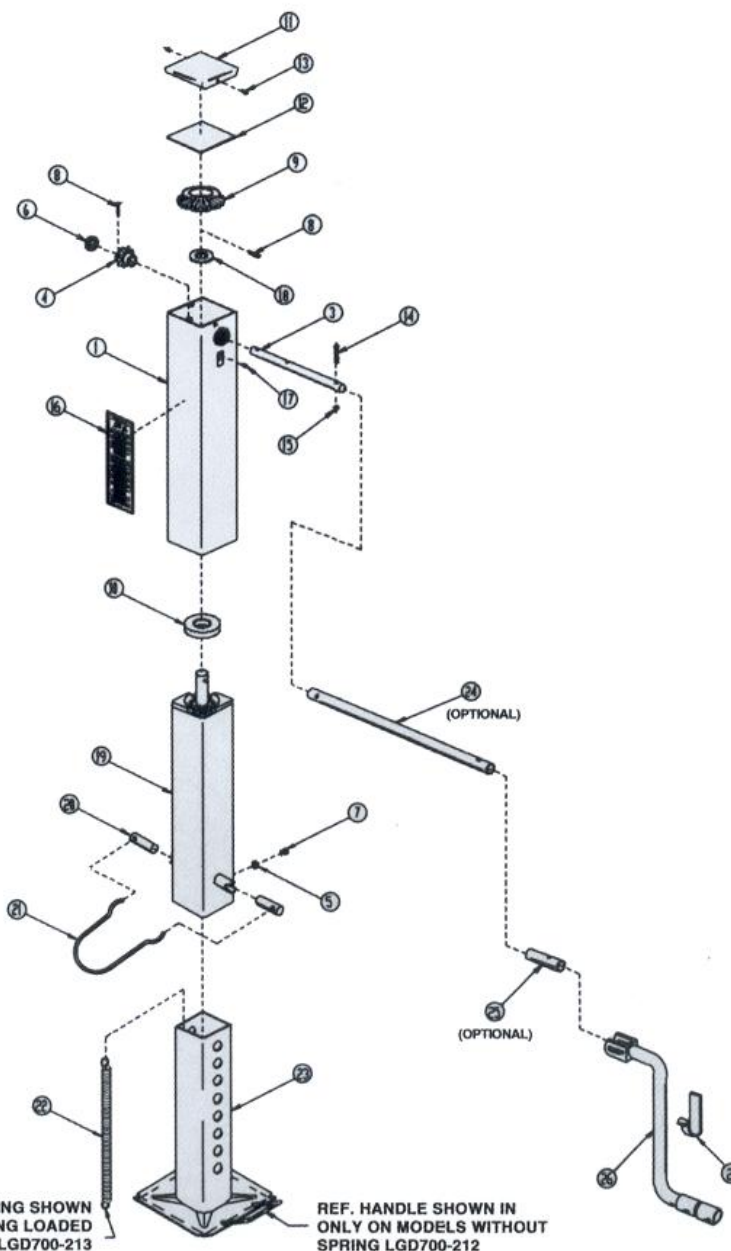
Barry Stoodley Pty Ltd



GO THE DISTANCE.

LANDING GEAR

Spare Parts
LG700



Barry Stoodley Pty Ltd



LANDING GEAR

Spare Parts
LG700

Item	Part Number	Description	Qty
1	LG158703	Upper housing	1
2	LG0085	Crank hanger	1
3	LG202001	Shaft drive	1
4	XBLG2026	Gear, pinion	1
5	XBPW01603	Washer, FL. 3/8 std. type A	1
6	XBPW01673	Washer, plain thrust .766 ID	1
7	XBSTS00817	Screw, self tap 3/8 16 x 7/16 hex	1
8	XBGP01407	Pin, groove type E 1/4 x 1 1/2	2
9	XBLG2027	Gear, bevel	1
10	XBBRG01370	Bearing thrust	1
11	XBLG0880	Top cover	1
12	XBLG0893	Cover Gasket	1
13	XBSTS00811	Self tap screw	2
14	XBHHC05042	Screw, hex, cap 3/8 x 2 1/4 GR.5	1
15	XBSLN01204	Self locking nut	1
16	XBDCL03160	Decal, dual pin	1
17	XBGRF02216	Grease fitting, 1/4 28	1
18	XBPW01651	Washer, plain 1.015 ID x 1.750 OD	1
19	LG2033	Retract tube & screw assembly	1
20	XBLG202401	Pin, locking	2
21	XBLG2006	Handle, spring	1
22	XBSPG02028	Spring, extension	1
23	LG200301	Ass'y, drop tube with handle	1
23	LG2003	Ass'y, drop tube without handle	1
24	LG2023	Tube crank extension	1
25	CP465116	Adaptor, crank	1
26	LG008301	Universal crank	1
27	LG2032	Retract tube and screw ass'y with drop section, spring loaded (not shown)	1
28	LG203201	Retract tube and screw ass'y with drop section, non spring loaded (not shown)	1