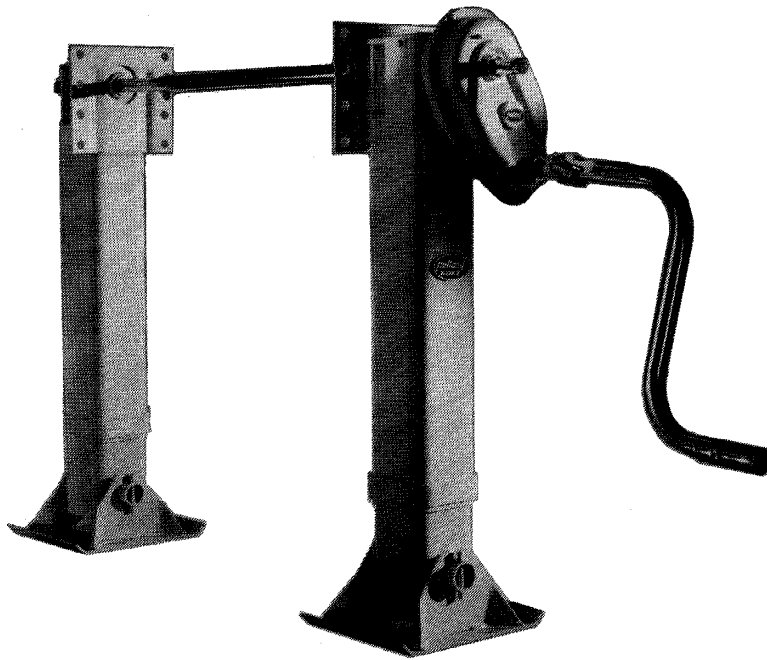


Barry Stoodley Pty Ltd

MARK V LANDING GEAR LGS SERIES



Fast Operation

High speed operation 2.5 turns per 25mm travel provides quick to-the-ground speed.

Easy Lift

Low speed operation 33.3 turns per 25mm travel for easier load lifting. Capacity is 28,350 kg at 135 Nm input.

Versatile

Mounting and turn ratio interchangeability with previous LG and EXA Mark V models.

Reduced Tare Weight

The new LGS Series provides heavy duty performance with low tare weight achieved by using high strength, low alloy material.

Improved Seal

Upper leg cover has full wrap-around design ensuring excellent sealing against the elements.

Constant Lubrication

Deep grease reservoir in the riser nut ensures constant lubrication to the elevating screw.

Greater Strength

Substantial 133mm outer leg tube for greater load bearing capacity and extended life.

Capacities

Vertical: 63,500 kg* (static)

Side: 7,250 kg

Lift: 28,350 kg @ 134 Nm

The results meet or exceed all AAR M-931 and TTMA RP-4-85 requirements lifting standards for the rest of the world.

Durable Performance

Two large, in-line, austempered ductile iron (ADI) spur gears for easy lifting and durable performance.

Long Service Life

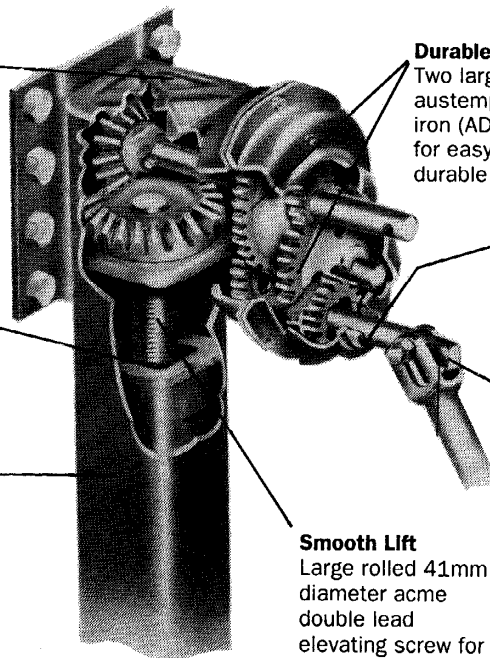
Self-lubricating powdered metal shaft bushings for increased service life.

Stabilised Cranking

Double-D crank handle connection stabilises cranking and provides stronger crank connection. Includes spring loaded handle locking clip as standard.

Smooth Lift

Large rolled 41mm diameter acme double lead elevating screw for strength and smooth easy lift.



Barry Stoodley Pty Ltd



LANDING GEAR Mark V Lgs Series

GO THE DISTANCE.

Ordering Information

STEP 1

MODEL NUMBER

STEP 2

SELECT TRAVEL AND MOUNTING

STEP 3

SELECT AXLE AND FOOTWEARE

Description	Model	Travel Code	Mounting Code	Axle Type Code	Footware Code	Dimensions
Standard set	LGS	343 1	Universal Z	No Axle 0	Self Leveller 01	305 diameter
Heavy Duty	LGH	419 3				
Slave leg	LGS9	447 4				
Geared leg	LGS8	475 5				

Axle Type Code	Footware Code	Dimensions
Standard pipe 1	No Footware 10	
Solid heavy duty 3	Standard skid 15	96x254x282
	Heavy duty skid 12	102x254x406
	Wheel 03	228 Diameter
	Rocker 20	125x240x125R
	Compensating 09	130X230X330

ORDERING EXAMPLE:

STEP 1
LGS

Model Number

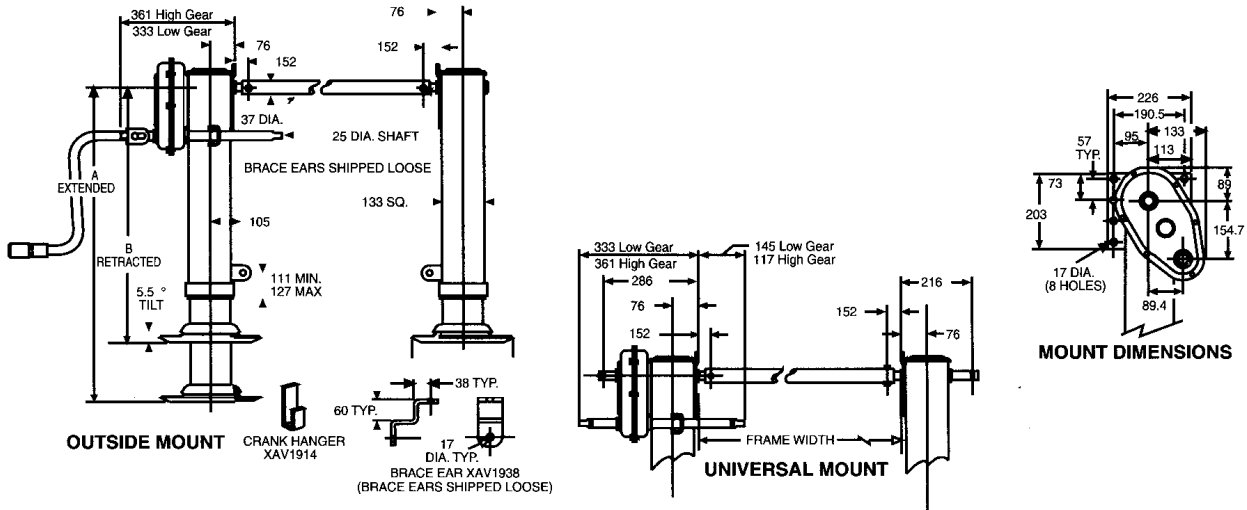
STEP 2
5Z

Travel Code + Mounting Code

STEP 3
115

Axle Type + Footware Code

All dimensions shown are in mm



Landing Gear Dimensions

Travel	Self Leveller			Standard Skid			Heavy Duty Skid			Wheel			Rocker			Compensating		
	A	B	kg	A	B	kg	A	B	kg	A	B	kg	A	B	kg	A	B	kg
343	1062	719	84	1054	711	88				1072	729	90	1083	740	110	1088	745	112
419	1214	795	91	1207	787	95				1224	805	97	1235	816	117	1240	821	118
447	1270	823	92				1270	848	129									
475	1328	853	93	1321	846	97				1338	864	99	1350	875	119	1354	879	121

All dimensions shown are in mm-Weights are approximate and do not include cross shaft winding handle and fixings (Add 6kg)

Landing gear set includes: cross shaft, crank handle, crank hanger, brace ears (2 required) and crank hardware.

Note: Specifications regarding heights and weights are nominal only. We reserve the right to make changes as necessary.

Barry Stoodley Pty Ltd

MARK V LANDING GEAR

LGS SERIES

MODEL	WEIGHT kg	DESCRIPTION
LGS1Z001	89	L/Gear set, Self Levelling Foot, Short Series
LGS1Z010	80	L/Gear set, w/o Foot Group, Suits Wheel, Skid or Rocker
LGS1Z103	97	L/Gear set, Wheeled, Short Series
LGS1Z109	106	L/Gear set, Compensating Foot, Short Series
LGS1Z115	94	L/Gear set, Skid Foot, Short Series
LGS1Z120	104	L/Gear set, Rocker Foot, Short Series

LGS3Z001	95	L/Gear set - Self Levelling Foot
----------	----	----------------------------------

LGS4Z001	97	L/Gear set - Self Levelling Foot
LGS5Z010	88	L/Gear set - w/o Foot Group (Suits Wheel, Skid or Rocker)
LGS5Z103	105	L/Gear set - Wheeled
LGS5Z109	114	L/Gear set - Compensating Foot
LGS5Z115	101	L/Gear set - Skid Foot
LGS5Z120	112	L/Gear set - Rocker Foot for Air Suspension

LGS5Z001	99	L/Gear set - Self Levelling Foot - Long Series
----------	----	--

DUAL GEARED LEG SETS

LGS5X010	100	L/Gear set - Two Geared Legs - w/o foot Group (suits Wheel, Skid or Rocker)
LGS4X001	125	L/Gear set - Two Geared Legs - Self Levelling Foot
LGS5X103	117	L/Gear set - Two Geared Legs - Wheeled
LGS5X115	113	L/Gear set - Two Geared Legs - Skid Foot
LGS5X120	124	L/Gear set - Two Geared Legs - Rocker Foot

GEARED LEGS ONLY

MODEL	WEIGHT kg	DESCRIPTION
LGS84Z001	52	Geared Leg - Self Levelling Foot
LGS85Z010	48	Geared Leg with Handle w/o Foot Group. Suit Wheel, Skid or Rocker
LGS85Z103	56	Geared Leg - Wheeled
LGS85Z109	60	Geared Leg - Compensating Foot
LGS85Z115	55	Geared Leg - Skid Foot
LGS85Z120	59	Geared Leg - Rocker Foot
LGH84Z212	74	Geared Leg - Heavy Duty Skid Foot

SLAVE LEGS ONLY

LGS94Z001	41	Slave Leg - Self Levelling Foot
LGS95Z010	36	Slave Leg w/o Foot Group suit Wheel Skid or Rocker
LGS95Z103	45	Slave Leg - Wheeled
LGS95Z109	48	Slave Leg - Compensating Foot
LGS95Z115	43	Slave Leg - Skid Foot
LGS95Z120	47	Slave Leg - Rocker Foot
LGH94Z212	62	Slave Leg - Heavy Duty Skid Foot