

Barry Stoodley Pty Ltd

TECHNICAL DATA SHEET



HIGH PRESSURE GEAR PUMPS

The POW Series pump is for applications requiring high pressure & flow. The design of the POW pump is maximised for performance and flow.

Manufactured from rugged SG iron this product is well suited to high pressure applications such as cranes, aerial platforms, hook-lift loaders and garbage compactors.

SUITS:

Heavy duty and high pressure applications
(Cranes, Hook-lifts)

PRODUCT FEATURES

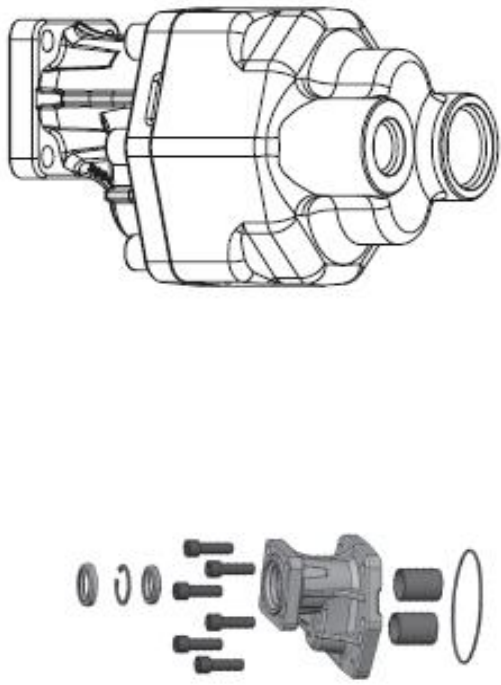
- **HIGH PRESSURE (UP TO 310 BAR)**
For maximum performance of hydraulic systems
- **AVAILABLE WITH REAR PORTS**
To enable better placement of hydraulic lines
- **EXPANDED RANGE**
For a greater application coverage
- **STRONGER YET LIGHTER**
Designed for maximum performance

POW SERIES

HYDRAULIC GEAR PUMP

Barry Stoodley Pty Ltd

TECHNICAL DATA SHEET



PUMP DESIGNATION CODES
POW series pump

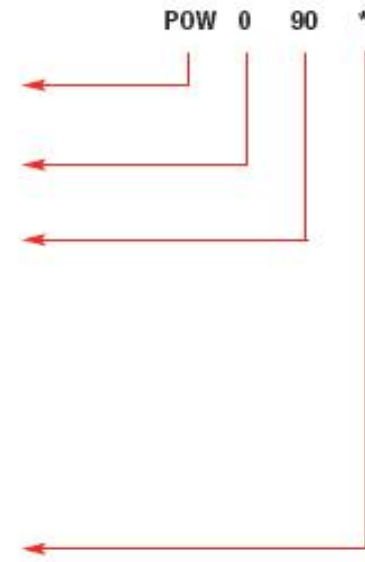
Pump Series
POW

Rotation
O = Opposite to engine
S = Same as engine

Flow @ 1000 RPM
25 = 23 l/min (6.0 g/min)
35 = 34 l/min (9.0 g/min)
45 = 44 l/min (11.6 g/min)
55 = 54 l/min (14.3 g/min)
65 = 64 l/min (16.9 g/min)
75 = 74 l/min (19.5 g/min)
90 = 88 l/min (23.2 g/min)
115 = 113 l/min (29.9 g/min)

Manufacturers Code
(internal use only, if required)

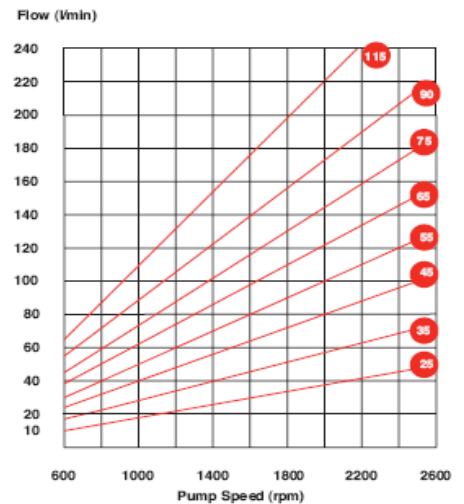
POW 0 90 *



Technical Specifications

		Pump Size							
Pump Ratings		25	35	45	55	65	75	90	115
Pump flow Rates									
@ 1000 RPM @ No Load									
l/min (USgpm)		23 (6.0)	34 (9.0)	44 (11.6)	54 (14.3)	64 (16.9)	74 (19.5)	88 (23.2)	113 (29.9)
@ 1000 RPM @ Max. Pressure									
l/min (USgpm)		19 (5.0)	28 (7.4)	40 (10.6)	50 (13.2)	62 (16.4)	72 (19.0)	87 (23.0)	110 (29.0)
@ 2000 RPM @ Max. Pressure									
l/min (USgpm)		38 (10.0)	56 (14.8)	80 (21.2)	100 (26.4)	124 (32.8)	144 (38.0)	174 (46.0)	220 (58.1)
Pressure Ratings									
bar		310	300	290	280	280	270	250	230
psi		4495	4350	4200	4060	4060	3915	3625	3335
Operating Speeds (See graph)									
Min Operational		600 rpm							
Max Continuous		2000 rpm							
Max Intermittent		2500 rpm							
Min Suction Line Inside Dia.		(32 mm) (1 1/4" in)				(40mm) (1 1/2" in)			
Pump Port Sizes									
Inlet		1 5/8" 12UN O-Ring				1 7/8" 12UN O-Ring			
Outlet		1 1/16" 12UN O-Ring				1 5/16" 12UN O-Ring			
Approx. Bare Mass									
Kg		10.0	11.0	11.5	12.2	13.0	13.2	14.5	16.0
lb		22.0	24.2	25.3	26.8	28.6	29.0	31.9	35.2
Seal kit		SK077							
Overall Length									
mm		183	191	198	206	213	220	230	248

Representative Performance Data



For full details refer to Powauto or consult your applications guide.

Note: Powauto recommends the use of filtration (min 25µ) in your hydraulic system. Warranty void if pump seal removed.