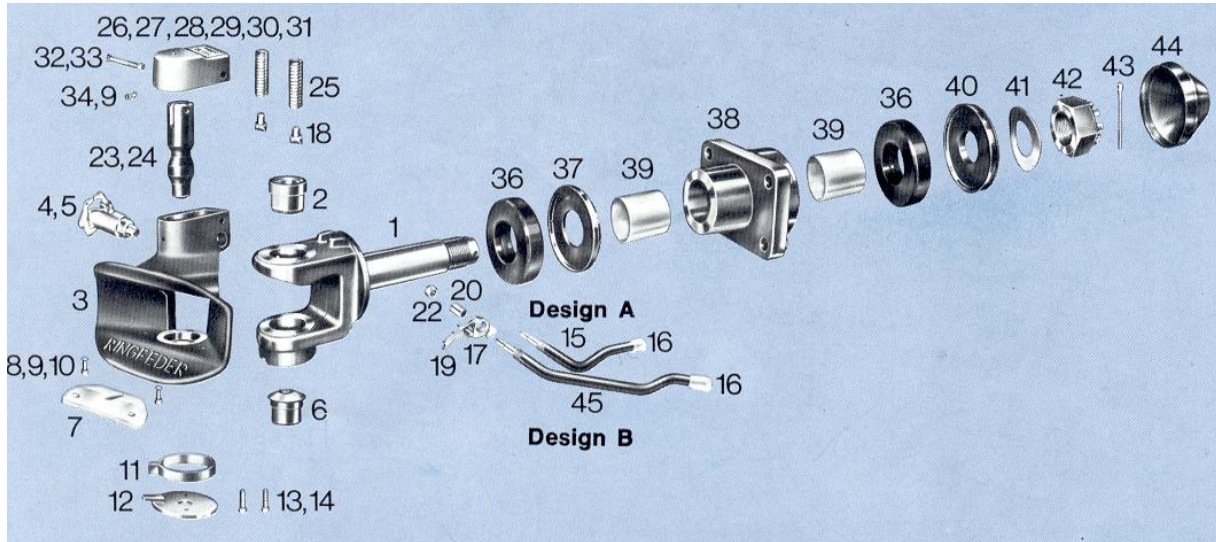


Barry Stoodley Pty Ltd

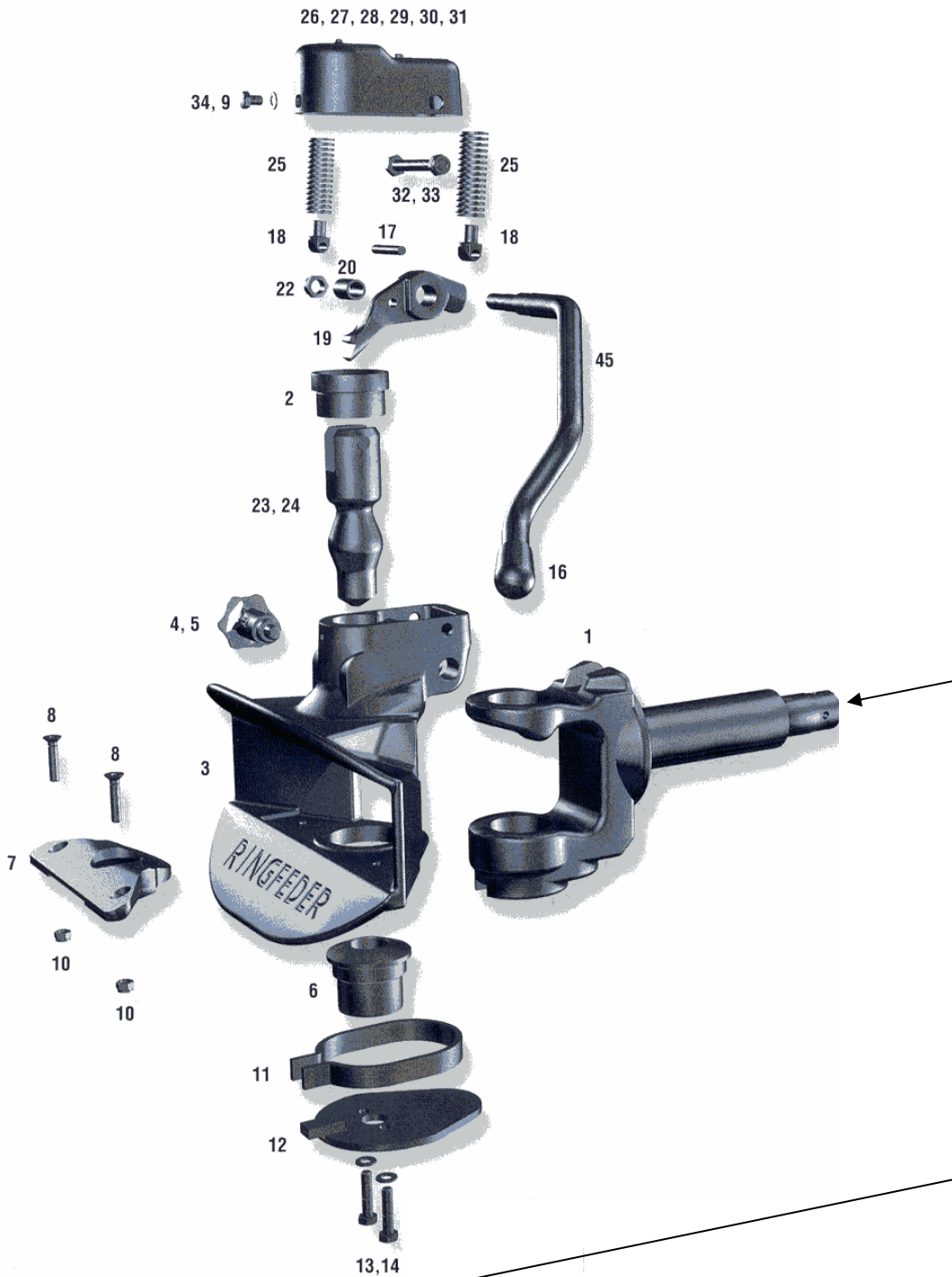
RINGFEDER 81G5



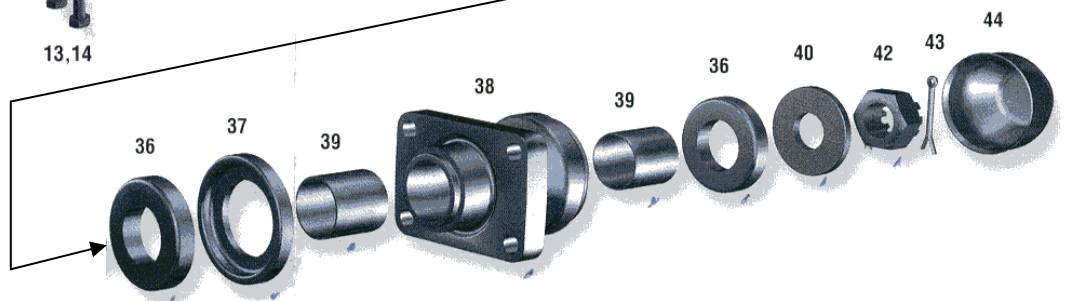
ITEM	PART No.	QTY	DESCRIPTION	ITEM	PART No.	QTY	DESCRIPTION
1	2994615	1	Drawbar incl. Items 2, 41, 42, 43	23	06990460	1	Coupling Bolt
2	00153087	1	Top Guide Bush	24	154652	1	Locking Lever Pin
3	6990479	1	Coupling Body incl. Items 4, 5	25	154 830	2	Locking Spring
4	01053124	1	Complete Safety Device incl. Item 5	26	06991645	1	End Cap incl. 2 of item 27, 28, 29
5		1	Tapered Grease Nipple AM 8 x 1 DIN 71412	27		2	Spring Pin
6	00153079	1	Bottom Guide Bush	28		1	Volute Spring
7	06998321	1	Special Plastic Plate incl. 2 of Items 8, 9, 10	29		1	Buttonhead Rivet 6 x 12, DIN 660
8		2	Countersunk Screw M8x30 DIN 965	30		1	Nameplate incl. 4 of item 31
9		3	Spring Washer A 8	31		4	Buttonhead Notched Nail 3 x, DIN 1476
10		2	Hexagonal Nut M8, DIN 934	32	6991670	1	Hexagonal Screw M10 x, DIN 931 incl. Item 33
11	01027182	1	Return Spring	33		1	Locking Nut VM 10, DIN 980
12	01027190	1	Tab Washer	34	6991653	1	Hexagonal Screw M8 x12, DIN 933 incl. Item 9
13		2	Spring Washer A 10, DIN 128	36	7998325	2	Rubber Spring
14	1046616	2	Hexagonal Nut M10x45 DIN 933 incl. Item 13	37	01027212	1	Thrust Washer
15	6990452	1	Hand Lever incl. Items 16, 19, 20, 22 Design A	38	05999154	1	Bar Guide incl. 2 of item 39
16		1	Knob for Hand Lever	39	10991382	2	Bearing Bush
17	00152315	1	Bolt for Spring Arm	40	01027239	1	Tension Washer
18	00152919	2	Spring Arm	41	01027140	1	Spring Washer B 56, DIN 137
19		1	Locking Lever	42	01069764	1	Castellated nut M 56 x 2 incl. Item 43
20		1	Distance Bush	43		1	Cotter Pin 8 x 100, Din 94
22		1	Locking Nut VM 14, DIN 980	44	1027247	1	Protecting Cap
				45	06991661	1	Hand Lever incl. Item 16, 19, 20, 22 Design B

Barry Stoodley Pty Ltd

96 AUS RINGFEDER

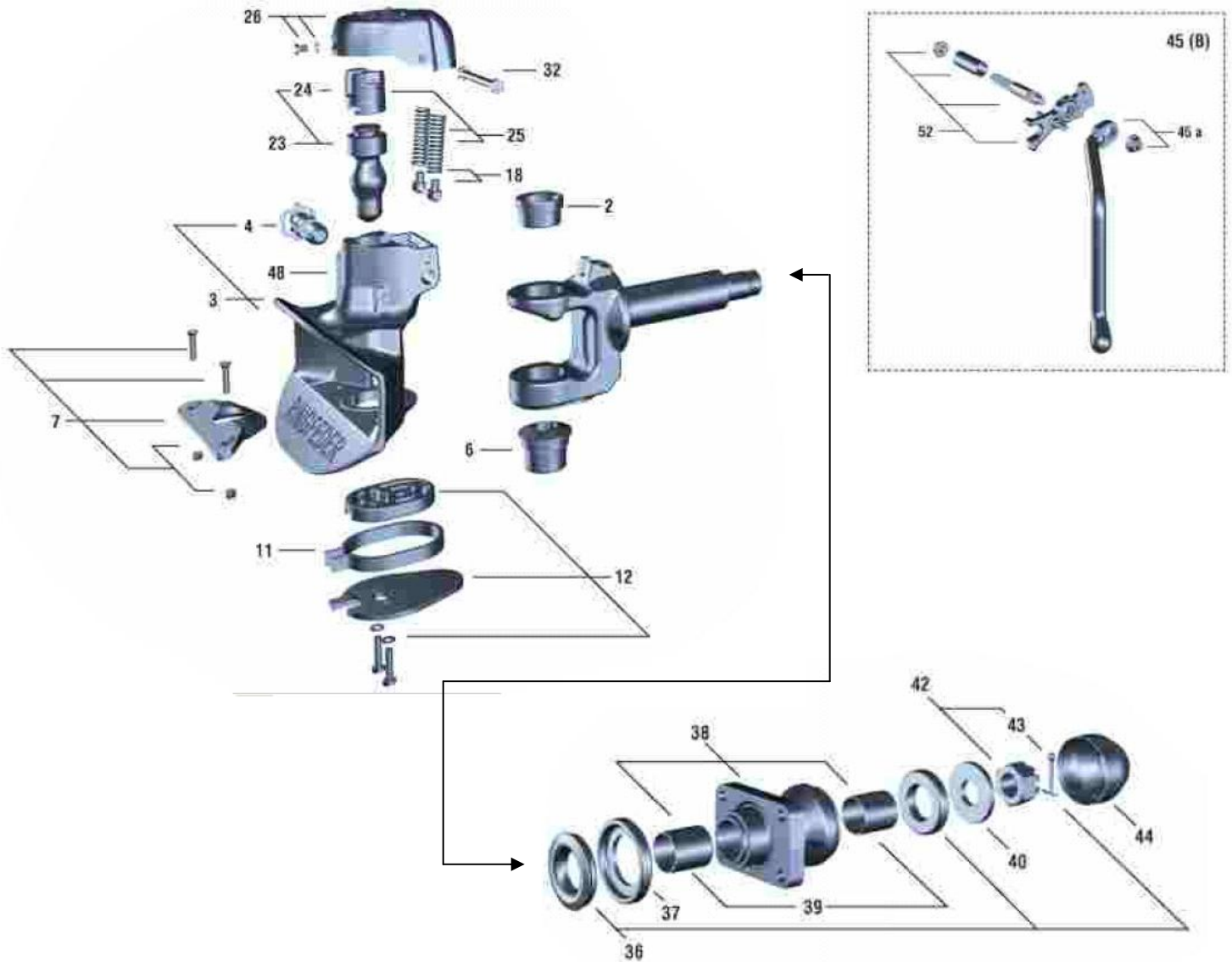


Type 96 AUS			
Item	Order No.	Description	Qty.
1		Drawbar incl. 2, 41, 42, 43	1
2	7 998 210	Top Guide Bush	1
3	13 997 950	Coupling Body incl. items 4, 5	1
4	13 998 035	Complete Safety Device incl. item 5	1
5		Tapered Grease Nipple AM 8 x 1 DIN 71412	1
6	7 998 252	Bottom Guide Bush	1
7	6 998 321 9 996 770	Plastic Plate, incl. 2 of items 8, 10 Wear plate (cast iron) incl. 2 of items 8, 10	1
8		Countersunk Screw M 8 x 40, DIN 7991	2
9		Washer 8,4 DIN 125	1
10		Hexagonal Nut M8, DIN 980	2
11	7 995 610	Return Spring	1
12	7 995 628	Tab Washer	1
13		Washer 10,5 DIN 125	2
14		Hexagonal Screw M 10 x 45 DIN 933 incl. item 13	2
16		Knob for Hand Lever	1
17	10 991 390	Bolt for Spring Arm	1
18	7 998 341	Spring Arm	2
19		Locking Lever	1
20		Distance Bush	1
22		Locking Nut VM 14, DIN 980	1
23	6 990 460	Coupling Bolt incl. item 24 and 2 of item 25	1
24	12 991 460	Locking Lever Pin	1
25	13 992 274	Locking Spring	2
26	6 991 645	End Cap incl. 2 of item 27, 28, 29	1
27		Spring Pin	2
28		Volute Spring	1
29		Buttonhead Rivet 6 x 12, DIN 660	1
30		Nameplate incl. 4 of item 31	1
31		Buttonhead Notched Nail 3 x 4 DIN 1476	4
32		Hexagonal Screw M 10 x 90 DIN 931 incl. item 33	1
33		Locking Nut VM 10, DIN 980	1
34		Hexagonal Screw M 8 x 12 DIN 933 incl. item 9	1
36	14 994 568	Rubber Spring	2
37	14 994 472	Thrust Washer	1
38	14 994 463	Bar Guide incl. 2 of item 39	1
39	14 994 876	Bearing Bush	2
40	14 994 496	Tension Washer	1
42	6 997 732	Castellated Nut M 45 x 3 incl. item 43	1
43	12 991 533	Cotter Pin 8 x 80, DIN 94	1
44	14 994 455	Protecting Cap	1
45	6 991 661	Hand Lever incl. item 16, 19, 20, 22 Design B	1



Barry Stoodley Pty Ltd

101 AUS RINGFEDER



Pos.	No.	Description
2	14991384	Top guide bush
3	14991760	Coupling body
4	14991073	Manual safety device
6	14991407	Bottom guide bush
7	6998321	Special plastic plate
7a	9996770	Wearing plate (cast iron)
11	7995610	Return spring
12	14991399	Tab washer
18	7998341	Spring arm
23	14991375	Coupling bolt
25	14991273	Locking spring
26	14991367	End cap. Cpl
32	14991359	Hexagon screw M10 x 115 .10.9
36	14994568	Rubber spring
37	14994478	Thrust washer
38	14994463	Bar guide

Pos.	No.	Description
39	14994876	Bearing bush
40	14994496	Tension washer
42	6997732	Castellated nut M45 x 3
43	12991533	Cotter pin 8 x 80
44	14994455	Protecting cap
45	14991262	Hand-/locking lever combination design B
45a	14991376	Hand lever design B
48	9122900	Plug for sensor hole (10 pieces)
52	14991393	Axle with locking lever
	14991632	Repair kit (Pos. 2 + 6 + 7 + 23 + 42)