

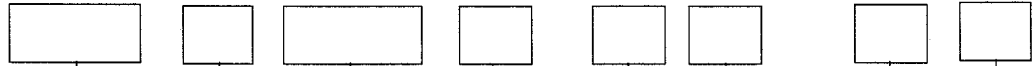
Barry Stoodley Pty Ltd

YORK

YORK 2000 SERIES AXLE - MODEL NUMBERING SYSTEM

2782 / 1 / 1850 T # # # #

MODEL HUB TRACK TUBE CAM SHAFT ACCESSORIES



MODEL:-

- 2782 - Dual wheel 20"/ 22.5" axle - 420x180 (16.5"x7") 'S' cam brake
- 2784 - Super Single 22.5" axle - 420x180 (16.5"x7") 'S' cam brake
- 2783 - Dual wheel 15" axle - 311x178 (12.25"x7") 'S' cam brake
- 2950 - Dual or Single wheel 17.5" and 19.5" axle - 335x210 'S' cam brake
- 2953 - Dual wheel 16" and 17.5" axle - 311x178 (12.25"x7") 'S' cam brake
- 2954 - Dual wheel 16" and 17.5" axle - 311x127 (12.25"x 5") 'S' cam brake
- 2682 - Dual wheel 22.5" axle parallel bearings 420x180 'S' cam HD 'P' brake
- 2980 - Dual wheel axle disc brake suit 19.5"/22.5" wheels
- 2970 - Dual wheel axle disc brake suit 22.5" wheels
- 78792157/8 -1 - Dual wheel 20"/22.5" Road Baron axle - 420x180 (1.65"x7") cam brake

HUB TYPE:-

- 1 - Spider hub (dual & single, 22.5" & 15")
- 2 - 10 stud 285 pcd ISO steel hub
- 3 - 10 stud 335 pcd ISO steel hub
- 4P - 10 stud 285 pcd ISO aluminium hub
- 7 - 8 stud 275 pcd ISO steel hub
- 8P - 8 stud 275 pcd ISO aluminium hub
- 10 - 10 stud 225 pcd ISO steel hub
- 11 - 6 stud 222 pcd Japanese steel hub
- 12P - 10 stud 335 pcd ISO aluminium hub

AXLE TRACK:-
Axle track expressed in millimetres

TUBE SPECIFICATION:-

- T - Axle tube suitable for air suspension (16mm)
- V - Axle tube suitable for air suspension (19mm)
- X - Axle tube suitable for air suspension (25mm)

CAMSHAFT CODES:-

- N - Non enclosed camshafts
- E - Enclosed camshafts
- L - Air suspension (long) camshafts

ACCESSORIES CODES:-

- C- Lightweight brake drums(10x285pcd only)
- A- Automatic slack adjusters
- [These codes only displayed if fitted]

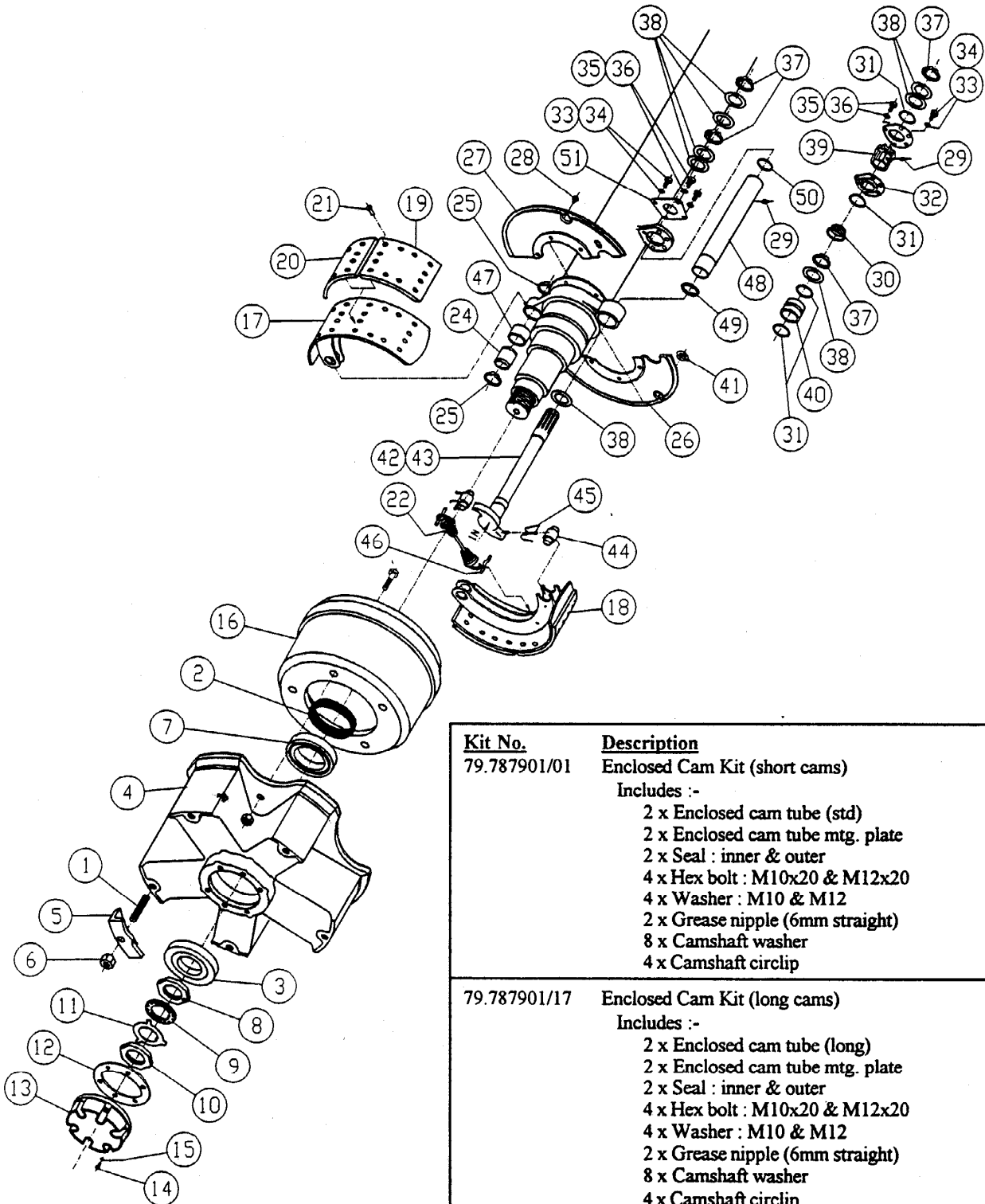
ADR Approval Numbers:-	10785FB	All 20" & 22.5" 2782 / 2784 / 2682 series axles	
	6900FB	All 15" & 17.5" 2783 series axles	
	10787FB	All 17.5" & 19.5" 2950 series axles	
	16491FB	All 20" & 22.5" 2800 series axles	
	SARN - 27571	19.5"/20" Disc brake axle (PAN 19-1 Plus)	
	SARN - 33991	20" Disc brake axle (PAN 22-1 Plus)	
	SARN - 36703	20" & 22.5" Road Baron Axle	

Barry Stoodley Pty Ltd

YORK

2000 Series Axle Spare Parts

AXLE TYPES 2782 and 2784 - 420 x 180 'S' CAM BRAKES
 DUAL and SUPER SINGLE SPIDER HUBS



Kit No.

79.787901/01

Description

Enclosed Cam Kit (short cams)

Includes :-

- 2 x Enclosed cam tube (std)
- 2 x Enclosed cam tube mtg. plate
- 2 x Seal : inner & outer
- 4 x Hex bolt : M10x20 & M12x20
- 4 x Washer : M10 & M12
- 2 x Grease nipple (6mm straight)
- 8 x Camshaft washer
- 4 x Camshaft circlip

79.787901/17

Enclosed Cam Kit (long cams)

Includes :-

- 2 x Enclosed cam tube (long)
- 2 x Enclosed cam tube mtg. plate
- 2 x Seal : inner & outer
- 4 x Hex bolt : M10x20 & M12x20
- 4 x Washer : M10 & M12
- 2 x Grease nipple (6mm straight)
- 8 x Camshaft washer
- 4 x Camshaft circlip

Barry Stoodley Pty Ltd

YORK

2000 Series Axle Spare Parts

AXLE TYPES 2782 and 2784 - 420 x 180 'S' CAM BRAKES DUAL and SUPER SINGLE SPIDER HUBS

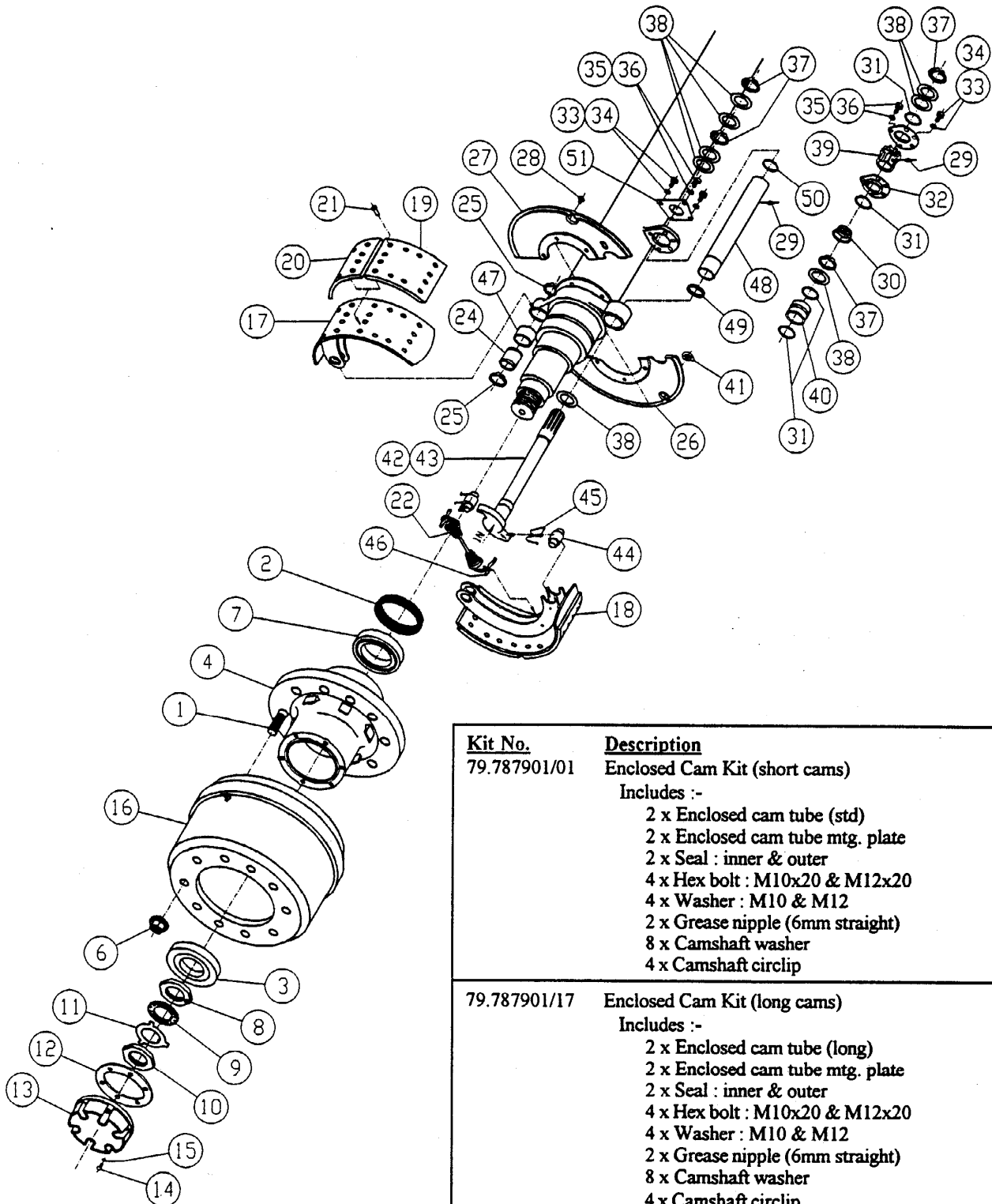
<u>Item</u>	<u>PartNo.</u>	<u>Description</u>	<u>Item</u>	<u>PartNo.</u>	<u>Description</u>
1	79787581	Wheel stud	30	79500686	Dust seal
2	79786114	Hub seal	31	79500375	'O' Ring
3	797865101	Outer bearing (cone)HM212049	32	79500363	Spherical bush housing
	797865102	Outer bearing (cup)HM212011	33	49HBM12175020	Hex boltM12
4	79787579	Spider hub dual	34	49AWM12P	LockwasherM12
	7927051	Spider hub super single	35	49HBM10150020	Hex boltM10
5	79786869	Rim clamp - dual	36	49AWM10P	LockwasherM10
6	79787582	Spider wheel nut	37	79500374	Camshaft circlip
7	7978611701	Inner bearing (cone)HM218248	38	79500358	Camshaft washer
	7978611702	Inner bearing (cup)HM218210	39	79500362	Spherical bush
8	79502461	Spindle nut	40	79787923	Camshaft bush outer- vesconite
9	79501123	Spindle lockwasher		79502765	Camshaft bush outer- plastic
10	79502462	Spindle locknut	41	79500848	Plug dust cover
11	79790044	Locktab washer	42	79504723/01R	Camshaft RH (short) 525mm
13	79501785	Hub cap - oil		79504723/01L	Camshaft LH (short) 525mm
	79501715	Hub cap - grease	43	79504723/17R	Camshaft RH (long) 627mm
14	49HBS/16UNF1.00	Hub cap stud		79504723/17L	Camshaft LH (long) 627mm
15	49AWS/16P	Washer-hubcapstud	44	79500356/02	Cam roller 1 1/4" (knurled)
16	79787580	Brake drum - dual	45	79500373	Cam roller retainerspring
	7960327-4	Brake drum - super single	46	79500372	Return spring retainer
17	79787525	Unlined shoe - 'Q'	47	79501787	Anchor pin bush
	79502906/01	Unlined shoe - 'P'	48	79788529/01	Enclosed camtube (std) 525mm
18	79787902/02	Lined shoe - 'Q'		79788529/17	Enclosed camtube (long) 627mm
	79502064/02	Lined shoe - 'P'	49	79787721	Seal - hub end enclosed cam
19	79786281/02	Lining cam end (non asb)	50	79787720	Seal - inner end enclosed cam
20	79786282/02	Lining anchor end (non asb)	51	79787590	Enclosed cam tube mtg plate
21	79502245	Rivet	#	79B2-182	Rim clamp - super single
22	79786289	Return spring cam end	#	79787905	Slack adjuster
	79787527	Return spring anchor end 'Q'	#	7921103	Automatic slack adjuster
24	79787526	Anchor pin 'Q'	#	798959051554	ABS pole wheel 100tooth
	79501995	Anchor pin 'P'	#	794410326340	ABS sensor pole
25	79758525	Circlip - Anchor pin 'P'	#	798997605104	ABS sensor pole bush
26	79786336	Dust cover - RH	#	79787591	ABS sensor pole mounting block
27	79786335	Dust cover - LH	#	796550-3	Hubcap window kit
28	49FHM08125016	Screw dust cover		79506221	Booster bracket
29	79786885	Grease nipple 6mm straight		79786275	Brake spider
				79787904	Non enclosed cam repair kit

Barry Stoodley Pty Ltd

YORK

2000 Series Axle Spare Parts

AXLE TYPES 2782 and 2784 - 420 x 180 'S' CAM BRAKES
 • DUAL and SUPER SINGLE STUD TYPE HUBS



<u>Kit No.</u>	<u>Description</u>
79.787901/01	Enclosed Cam Kit (short cams) Includes :- 2 x Enclosed cam tube (std) 2 x Enclosed cam tube mtg. plate 2 x Seal : inner & outer 4 x Hex bolt : M10x20 & M12x20 4 x Washer : M10 & M12 2 x Grease nipple (6mm straight) 8 x Camshaft washer 4 x Camshaft circlip
79.787901/17	Enclosed Cam Kit (long cams) Includes :- 2 x Enclosed cam tube (long) 2 x Enclosed cam tube mtg. plate 2 x Seal : inner & outer 4 x Hex bolt : M10x20 & M12x20 4 x Washer : M10 & M12 2 x Grease nipple (6mm straight) 8 x Camshaft washer 4 x Camshaft circlip

Barry Stoodley Pty Ltd

YORK

2000 Series Axle Spare Parts

AXLE TYPES 2782 and 2784 - 420 x 180 'S' CAM BRAKES DUAL and SUPER SINGLE STUD TYPE HUBS

Item	PartNo.	Description	Item	PartNo.	Description
1	79786111	Wheelstud ISO 100mm	22	79786289	Return spring cam end
	79786511	Wheelstud ISO 124mm		79787527	Return spring anchor end 'Q'
	79790208	Wheelstud Japanese L.H	24	79787526	Anchor pin 'Q'
	79790207	Wheelstud Japanese R.H.		79501995	Anchor pin 'P'
	79102188	WheelstudM22 short(alum. hub)	25	79758525	Circlip - anchor pin 'P' only
	79102190	WheelstudM22 long(alum. hub)	26	79786336	Dust cover RH
2	79786114	Hub seal	27	79786335	Dust cover LH
3	7978651001	Outer bearing (cone)HM212049	28	49FHM08125016	Screw dust cover
	7978795501	Outer bearing (cone)(preset)	29	79786885	Grease nipple6mmstraight
	7978651002	Outer bearing (cup)HM212011	30	79500686	Dust seal
	7978795502	Outer bearing (cup)(preset)	31	79500375	'O' Ring
4	79786106	Steel hub 10x335pcd(pre 1995)	32	79500363	Spherical bush housing
	79787712	Steel hub 10x335pcd	33	49HBM12175020	HexboltM12
	79787531	Steel hub 10x285pcd	34	49AWM12P	LockwasherM12
	79787891	Steel hub 8x285pcd(Jap)	35	49HBM10150020	HexboltM10
	79104894	Alum hub 10x285pcd(pre-set)	36	49AWM10P	LockwasherM10
	79105366	Alum hub 10x335pcd(pre-set)	37	79500374	Camshaft circlip
6	79502917	ISO Wheelnut 33mm	38	79500358	Camshaft washer
	79790001	Japanese wheelnut set RH	39	79500362	Spherical bush
	79790002	Japanese wheelnut set LH	40	79787923	Camshaft bush outer-vesconite
7	7978611701	Inner bearing (cone)HM218248		79502765	Camshaft bush outer-plastic
	7978795601	Inner bearing (cone)(preset)	41	79500848	Plug dust cover
	7978611702	Inner bearing (cup)HM218210	42	79504723/01R	Camshaft RH (short) 525mm
	7978795602	Inner bearing (cup)(preset)		79504723/01L	Camshaft LH (short) 525mm
8	79502461	Spindle nut	43	79504723/17R	Camshaft RH (long) 627mm
9	79501123	Spindle lockwasher		79504723/17L	Camshaft LH (long) 627mm
10	79502462	Spindle locknut	44	7950035602	Cam roller 1 1/4" (knurled)
11	79790044	Locktabwasher	45	79500373	Cam roller retainer spring
12	79787719	Hub cap gasket 6 hole	46	79500372	Return spring retainer
13	79501785	Hub cap - oil 6 hole	47	79501787	Anchor pin bush
	79501715	Hub cap - grease 6 hole	48	7978852901	Enclosed cam tube (std) 525mm
	79786215	Hub cap - grease 3 hole		7978852917	Enclosed cam tube(long)627mm
14	49HBS/16UNC1.00	Hub cap stud	49	79787721	Seal - hub end enclosed cam
15	49AW5/16P	Washer-hubcapstud	50	79787720	Seal - inner end enclosed cam
16	79787571	Brake drum 10x335pcd	51	79787590	Enclosed cam tube mtg plate
	79786875	Brake drum 10x285pcd	#	798959051554	ABS pole wheel 100 tooth
	79790204	Brake drum 8x285pcd Jap(i/board)	#	79105459	ABS sensor ring(alum hub)
	79786108	Brake drum 10x335pcd(i/board)	#	794410326340	ABS sensorpole
	79ML100	Brake drum 10x285pcd	#	798997605104	ABS sensorpole bush
	79787886	Brake drum 10x285pcd-Centrifuse	#	79787591	ABS sensormountingblock
17	79787525	Unlined shoe - 'Q'	#	79787905	Slack adjuster
	7950290601	Unlined shoe - 'P'	#	7921103	Automatic slack adjuster
18	7978790202	Lined shoe - 'Q'	#	79506221	Booster bracket
	7950206402	Lined shoe - 'P'	#	7965503	Hubcap window kit
19	7978628102	Lining cam end (Non Asb.)		79786275	Brake spider
20	7978628202	Lining anchor end (Non Asb.)		79787904	Non enclosed cam repair kit
21	79502245	Rivet		79104144	Presetbearing spacer

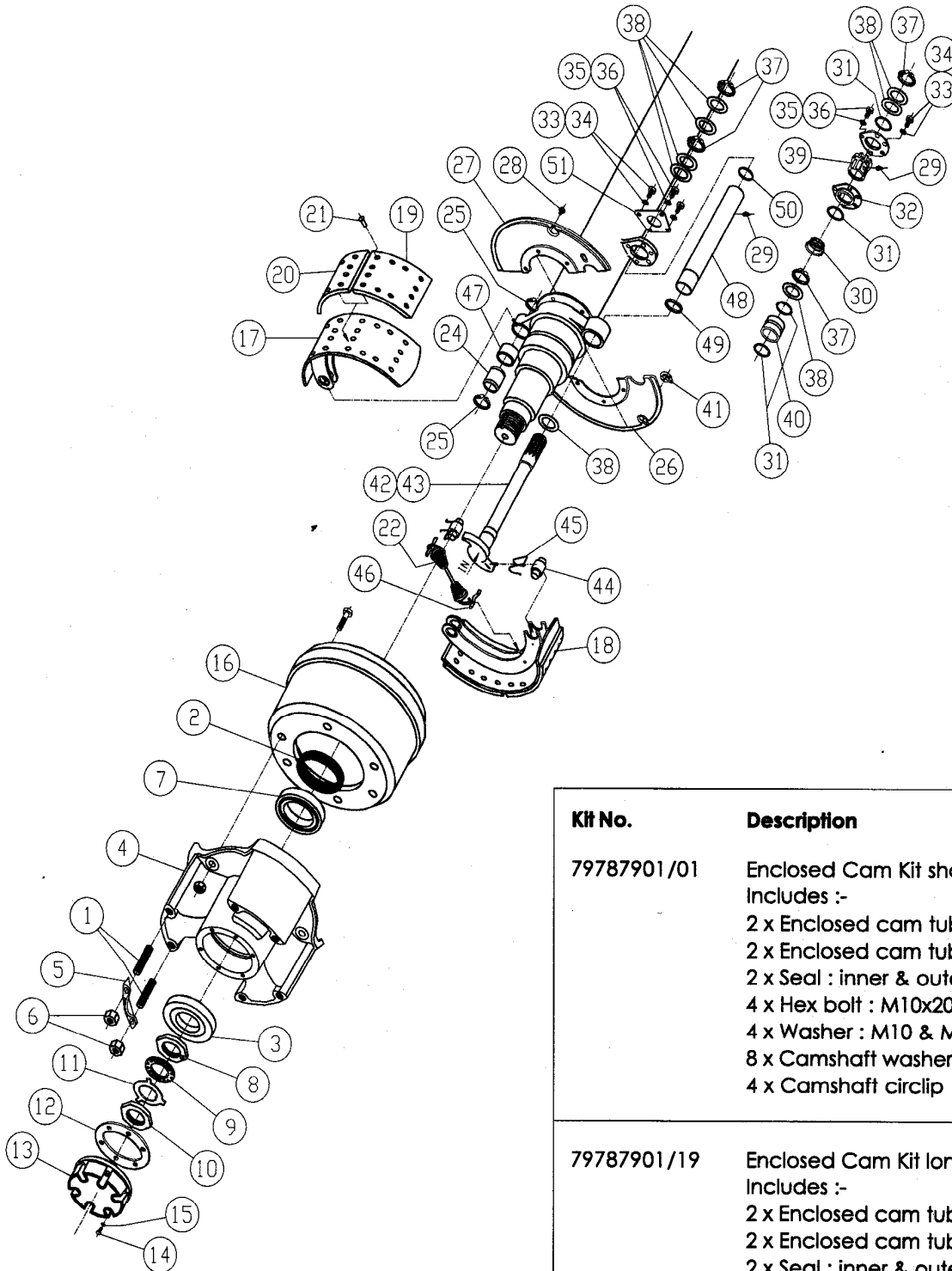
*Steel hubs do not include bearings, wheel studs or wheel nuts.
Aluminium hubs include bearings & wheel studs.

Barry Stoodley Pty Ltd

YORK

AXLE TYPE 2783 / 2953, 15" AXLE - 311 x 178 'S' CAM BRAKES

AXLE TYPE 2954, - 311 x 127 'S' CAM BRAKES



Kit No.	Description
79787901/01	<p>Enclosed Cam Kit short cams (525mm)</p> <p>Includes :-</p> <ul style="list-style-type: none"> 2 x Enclosed cam tube (std) 2 x Enclosed cam tube mtg. plate 2 x Seal : inner & outer 4 x Hex bolt : M10x20 & M12x20 4 x Washer : M10 & M12 8 x Camshaft washer 4 x Camshaft circlip
79787901/19	<p>Enclosed Cam Kit long cams (616mm)</p> <p>Includes :-</p> <ul style="list-style-type: none"> 2 x Enclosed cam tube (long) 2 x Enclosed cam tube mtg. plate 2 x Seal : inner & outer 4 x Hex bolt : M10x20 & M12x20 4 x Washer : M10 & M12 8 x Camshaft washer 4 x Camshaft circlip

Barry Stoodley Pty Ltd

YORK

AXLE TYPE 2783 / 2953, 15" AXLE - 311 x 178 'S' CAM BRAKES

AXLE TYPE 2954 - 311 x 127 'S' CAM BRAKES

Item	Part No.	Description	Item	Part No.	Description
1	79787581	Wheel stud	21	79502245	Rivet
	79786506	Wheelstud Japanese RH	22	79501551	Brake return spring
	79786507	Wheelstud Japanese LH	24	79787997	Anchor pin - bolt on type
	79792155	SAE wheel stud 100mm	26	79501576	Dust cover RH
	79792156	SAE wheel stud 122mm	27	79501577	Dust cover LH
2	79786114	Hub seal	28	49FHM08125012	Screw dust cover
3	79786510/1	Outer bearing (cone) HM212049	29	79792107	Grease nipple 1/8" BSP straight
	79786510/2	Outer bearing (cup) HM212011		79792108	Grease nipple 1/8" BSP 90 degrees
4	7927140	3spokespiderhub	30	79500686	Dust seal
	79787595	Steel hub 6 x 222pcd	31	79500375	'O' Ring
	79792161	Steel hub 10 x 225pcd	32	79501574	Spherical bush housing
	79271405	Hub/Drum 15" dual	33	49HBM12175020	Hex bolt M12
5	793314	Wheel clamp	34	49AWM12P	Lockwasher M12
6	79787582	Wheel nut	37	79500374	Camshaft circlip
	79790001	Wheel nut Japanese RH	38	79500358	Camshaft washer
	79790002	Wheel nut Japanese LH	35	49HBM10150020	Hex bolt M10
	79502917/01	Wheelnut ISO	29	79786885	Grease nipple 6mm straight
7	79786117/01	Inner bearing (cone) HM218248	39	79500362	Spherical bush
	79786117/02	Inner bearing (cup) HM218210	36	49AWM10P	Lockwasher M10
8	79502461	Spindle nut	40	79787923	Outercambush
9	79501123	Spindle lockwasher	41	79500848	Plug dust cover
10	79502462	Spindle locknut	42	79504742/01R	Camshaft RH 525mm
11	79790044	Locktab washer		79504742/01L	Camshaft LH 525mm
12	79787719	Hub cap gasket - 6 hole	43	79504742/19R	Camshaft RH 616mm
13	79501785	Hub cap - oil 6 hole		79504742/19L	Camshaft LH 616mm
	79501715	Hub cap - grease 6 hole	44	79500356/02	Cam roller 1 1/4" (knurled)
	79786215	Hub cap - grease 3 hole	45	79500373	Cam roller retainer spring
14	49HB5/16UNC1.00	Hub cap stud 5/16" UNC	#	79787722	Cam roller retainer bolt on
	49HBM08125025P	Hub cap stud M8 x 25	46	79500372	Return spring retainer
15	49AW5/16P	Washer-hub cap stud	47	79501787	Anchor pin bush
16	7960328-6	Brake drum spider	48	79788529/01	Enclosed cam tube (std 525mm)
	79787598	Brake drum 6x222pcd 311x178		79788529/19	Enclosed cam tube (long 616mm)
	79787900	Brake drum 6x222pcd 311x127	49	79787721	Seal - hub end enclosed cam
	79792164	Brake drum 10 x 225pcd	50	79787720	Seal - inner end enclosed cam
17	79502904/02	Brake shoe unlined 311x178	51	79787590	Enclosed cam tube mtg plate
	79502904/01	Brake shoe unlined 311x127	#	79787905	Slack adjuster
18	79502246/02	Lined brake shoe 311x178	#	798959051554	ABS pole wheel
	79502263/02	Lined brake shoe 311x127	#	794410326340	ABS sensor
19	79501570/02	Lining cam 311x178	#	798997605104	ABS sensor bush
	79501568/02	Lining cam end 311x127	#	79787591	ABS mounting block
20	79501572/02	Lining anchor 311x178	#	796550/3	Hubcap Window kit
	79501571/02	Lining anchor end 311x127	#	798959051554	ABS Pole Wheel

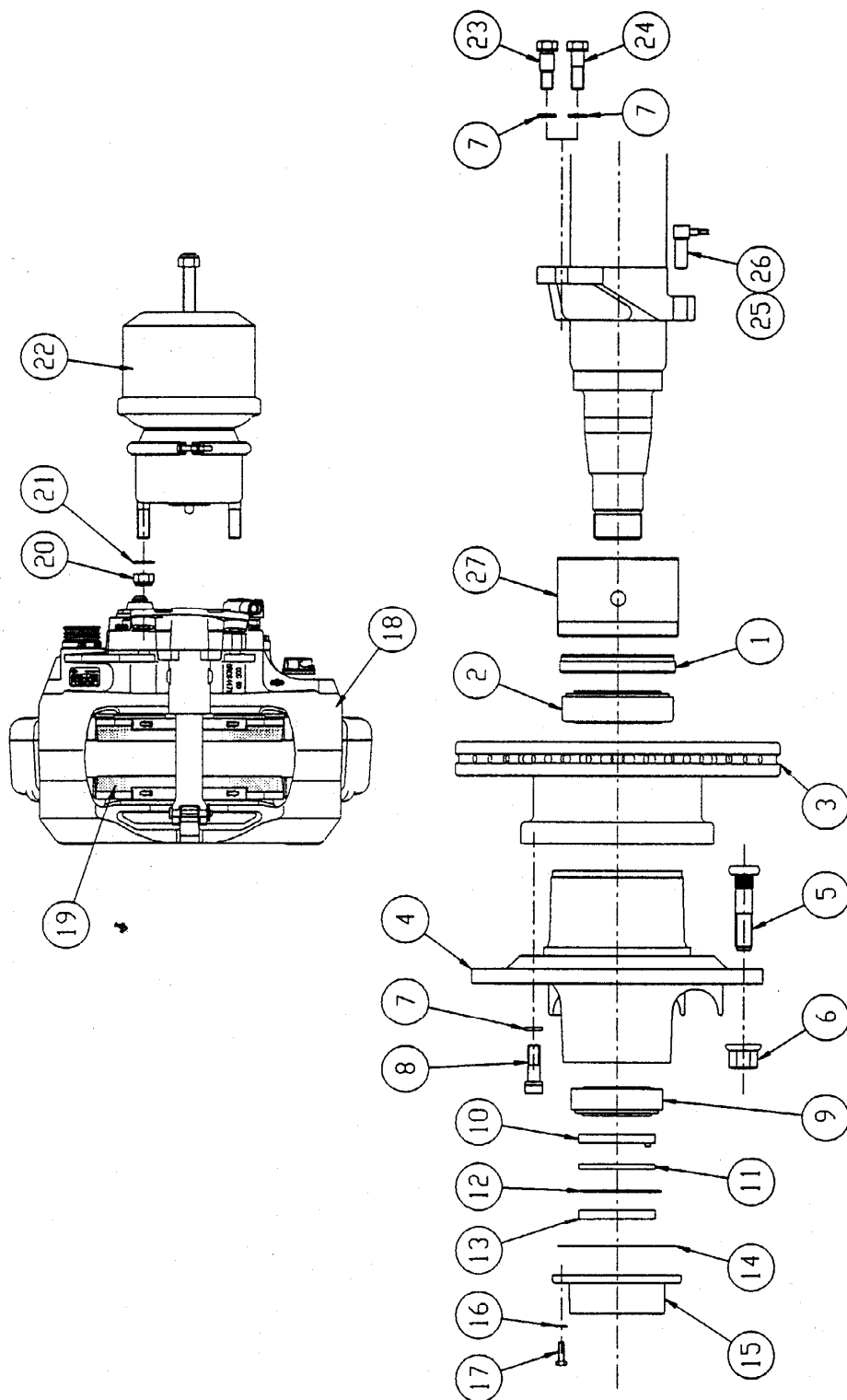
Barry Stoodley Pty Ltd

YORK

Disc Brake Axle Parts

AXLE TYPE 2790: 430mm DIA. DISC ROTOR - 10 STUD x 335 PCD.

AXLE TYPE 2990: 377mm DIA. DISC ROTOR - 8 STUD x 275 PCD.



Barry Stoodley Pty Ltd

YORK

Disc Brake Axle Parts

2790 Model Axle

<u>Item</u>	<u>Part No.</u>	<u>Description</u>
1	79786114	Hub seal
2	79786117/01	Inner bearing (cone) HM218248
	79786110/02	Inner bearing (cup) HM218210
3	79787300	Disc brake rotor
4	79787305	Steel hub 10x335pcd
	79787306	Steel hub 10x335pcd w/-ABS
5	79786111	Wheelstud M22x100
6	79502917	ISO Wheelnut
7	49SWM16	Spring washer M16
8	79787312	Rotor mtg. bolt M16x50
9	79786510/1	Outer bearing (cone) HM212049
	79786510/2	Outer bearing (cup) HM212011
10	79502461	Spindle nut
11	79501123	Spindle lockwasher
12	79790044	Lock tab washer
13	79502462	Spindle locknut
14	79787719	Hub cap gasket 6 hole
15	79501715	Hub cap - grease 6 hole
	79501785	Hub cap - oil 6 hole
16	49SWM08	Spring washer M8
17	49HB5/16UNC1.00	Hub cap stud
18	79787301	Brake caliper SB7649 LH
	79787302	Brake caliper SB7659 RH
20	49LNM161.5	Lock nut M16x1.5
21	49FWM16	Flat washer M16
22	79787303	Spring brake chamber-7
	79787323	Spring brake chamber-6
	79787324	Brake chamber
23	79787311	Caliper mount dowel bolt
24	79787310	Caliper mount bolt
25	794410326340	ABS sensor pole
26	798997605104	ABS sensor pole bush

2990 Model Axle

<u>Item</u>	<u>Part No.</u>	<u>Description</u>
1	79786114	Hub seal
2	79786117/01	Inner bearing (cone) HM218248
	79786117/02	Inner bearing (cup) HM218210
3	79787320	Disc brake rotor
4	79787326	Steel hub 8x275pcd
	79787327	Steel hub 8x275pcd w/-ABS
5	79786111	Wheelstud M22x100
6	79502917	ISO Wheelnut
7	49SWM16	Spring washer M16
8	49SHM14150050	Rotor mtg bolt M14x50
9	79786510/1	Outer bearing (cone) HM212049
	79786510/2	Outer bearing (cup) HM212011
10	79502461	Spindle nut
11	79501123	Spindle lockwasher
12	79790044	Lock tab washer
13	79502462	Spindle locknut
14	79787719	Hub cap gasket 6 hole
15	79501715	Hub cap - grease 6 hole
	79501785	Hub cap - oil 6 hole
16	49SWM08	Spring washer M8
17	49HB5/16UNC1.00	Hub cap stud
18	79787321	Brake caliper SB6540 LH
	79787322	Brake caliper SB6550 RH
20	49LNM161.5	Lock nut M16x1.5
21	49FWM16	Flat washer M16
22	79787303	Spring brake chamber-7
	79787323	Spring brake chamber-6
	79787324	Brake chamber
24	79787310	Caliper mount bolt
25	794410326340	ABS sensor pole
26	798997605104	ABS sensor pole bush
27	79787332	ABS pole wheel 100 tooth